

UNDERGROUND ENCLOSURES



Hubbell Underground Enclosures

Strength, performance, quality and outstanding customer service have been hallmarks of Hubbell underground enclosure brands for more than 40 years. The industry leader for applications in non-deliberate traffic areas, our enclosures provide rugged and cost-effective protection for a variety of electric utility, commercial and industrial, communications, water and gas equipment while meeting the specific demands of your industry.

All Hubbell underground enclosure brands come backed with cutting-edge engineering expertise and a total commitment to quality that is designed into our products. Our engineers are respected and valued advisors throughout the industry and our quality processes are among the most sophisticated in application. When you need unyielding performance and reliability, Hubbell underground enclosure brands are the right choice.

Hubbell is proud to offer the wide selection of underground enclosures found in this catalog. The following pages outline our industry leading Quazite®, Quazite FRP® and PenCell® brands. In addition to our core products and options, Hubbell can customize a solution for your project and application.



Hubbell Enclosures	4
Quazite Size Chart	5
Quazite FRP Size Chart	6
PenCell Size Chart	7
ANSI Tier Selection and Placement	8
ANSI Tier Selection Guide	10
Quazite Enclosures	12
Quazite Selection Guide	14
Quazite Size Chart	16
Drawings	17
6" x 8" PC Style	17
8" x 8" PC Style	18
8" x 18" PC Style	19
10" x 15" PT Style	20
10" x 15" PG Style	21
11" x 18" PG Style	22
11" x 18" PD Style	23
11" x 18" PC Style	24
11" x 20" PG Style	25
11" x 21" PD Style	26
12" x 12" PC Style	27
12" x 12" PX Style	28
13" x 24" PG Style	29
13" x 24" PD Style	30
13" x 24" PC Style	31
13" x 24" PT Style	32
17" x 30" PD Style	33
17" x 30" PG Style	34
17" x 30" PC Style	36
17" x 30" PT Style	37
24" x 24" PG Style	38
24" x 36" PD Style	39
24" x 36" PG Style	40
30" x 48" PG Style	42
30" x 48" PD Style	44
30" x 60" PG Style	45
36" x 36" PG Style	46
36" x 60" PG Style	48
36" x 72" PG Style	50
48" x 48" PG Style	51
48" x 60" PG Style	52
48" x 72" PG Style	53
48" x 78" PG Style	54
48" x 96" PG Style	55
27" Round Polymer Concrete Style	56
39" Round Polymer Concrete Style	58
5" x 16" Median Barrier Enclosure	60
10" x 12" Jersey Style Median Barrier Enclosure	61
Cell Site Enclosure	62
Communications Cabinet Foundations Information	63
Cover Options / Logo Codes	64
Dimensional Data	67
EZ Auger Upgrade Kits	68
Quazite Options	69
Dividers	71
Box Collars	72
Color Options	73
Specifications and Data	74

Hubbell Enclosures	75
G05 and F09 Valve Boxes	76
Quazite FRP	77
Quazite FRP Selection Guide	79
Quazite FRP Size Chart	80
6" x 8" Straight Wall	81
10" x 15" Straight and Flared Wall	82
11" x 18" Straight and Flared Wall	84
11" x 21" Straight Wall	86
11" x 32" Straight and Flared Wall	87
12" x 12" Straight and Flared Wall	89
13" x 24" Straight and Flared Wall	91
15" x 17" Straight and Flared Wall	93
15" x 27" Straight and Flared Wall	95
16" x 22" Straight and Flared Wall	97
17" x 30" Straight and Flared Wall	99
24" x 24" Straight Wall	102
24" x 36" Straight and Flared Wall	104
24" x 60" Flared Wall	108
30" x 48" Straight and Flared Wall	110
30" x 48" Corrugated Wall	114
30" x 60" Straight Wall	116
30" x 60" Corrugated Wall	118
36" x 36" Straight Wall	120
36" x 60" Straight Wall	122
36" x 60" Corrugated Wall	124
36" x 72" Straight Wall	126
36" x 72" Corrugated Wall	128
36" x 96" Corrugated Wall	130
48" x 48" Corrugated Wall	132
48" x 72" Corrugated Wall	134
48" x 78" Corrugated Wall	136
48" x 96" Corrugated Wall	138
78" x 96" Corrugated Wall	140
20" Round	142
27" Round	143
32" Round	144
39" Round	145
Cover Options	146
Color Options	147
Quazite FRP Options	148
PenCell	153
PenCell Selection Guide	155
PenCell Size Chart	156
PenCell Drawings	157
DT Series	
11" x 18"	158
12" x 12"	159
13" x 24"	160
17" x 30"	161
24" x 36"	164
30" x 48"	166
PE Series	
6" Round	168
9" Round	169
10" Round	170

14" Rectangular	171
20" Rectangular	172
30" Rectangular	173
36" Rectangular	174
10" x 15" PE series	175
11" x 18" PE series	176
13" x 24" PE series	177
17" x 30" PE series	178
PM (PEM) Series	
10" x 10"	179
12" x 12"	180
12" x 18"	181
12" x 20"	182
12" x 24"	183
18" x 18"	184
18" x 24"	185
18" x 30"	186
24" x 24"	187
24" x 36"	188
24" x 48"	189
24" x 60"	190
30" x 36"	191
30" x 48"	192
30" x 60"	193
36" x 36"	194
36" x 48"	195
36" x 60"	196
PR (PEMR) Series	
12" Round	197
Cover Options	198
Accessories	199
Options	201
Color Options	202
PenCell Option System	203
Installation Guide	204
EZ-Locate Installation	206
Hole Cutting Instructions	209
EZ Nut Cleaning/Replacement	210
Concrete Collar Applications	211
Internal Bracing	213
Quazite Part Number System	214
Quazite FRP Part Number System	216
PenCell Part Number System	218
Terms and Conditions	220



Hubbell Underground Enclosures

Hubbell offers three distinct brands of underground enclosures. All three are built with the same attention to quality and performance that you know and expect from Hubbell. Each brand is made of a different base material. Our comprehensive product offering is tailored to ensure that your application requirements are met, no matter what. Based on your design style preference, Hubbell offers Quazite monolithic polymer concrete, Quazite® FRP fiberglass-reinforced polymer and PenCell HDPE enclosure products. All three brands offer superior performance and unique benefits.

Quazite® Enclosures

Polymer concrete is made from select-grade aggregates in combination with a polymer resin system. When combined through a process of mixing, molding and curing, an extremely powerful cross-linked bond is formed. Precast polymer concrete is reinforced with fiberglass to give it additional strength and rigidity.

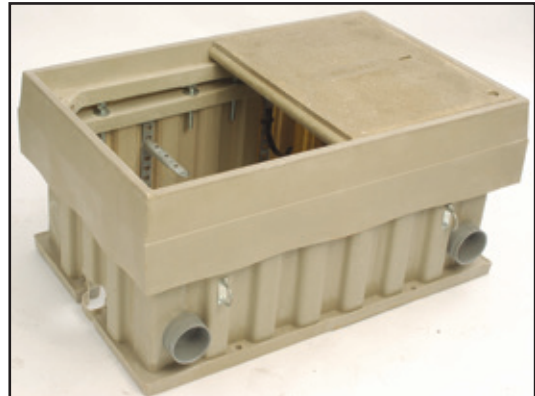
Polymer Concrete



Fiberglass Reinforced Polymer

Quazite® FRP Enclosures

Fiberglass-reinforced polymer, also called FRP, is a special combination of polymer concrete and fiber-reinforced polymer. This hybrid construction, formed from an FRP shell and a polymer concrete ring and cover, delivers a high strength, lightweight, abrasion-resistant product that is protected from ultraviolet rays.



High Density Polyethylene (HDPE)

PenCell® Enclosures

Structural foam molded high density polyethylene, also called HDPE, is a light weight, high strength plastic molding process that provides outstanding structural integrity and durability. HDPE enclosures are mated with covers made from a variety of materials: HDPE, polymer concrete or steel. This combination creates a highly versatile choice for underground utility enclosures where low weight and high strength are necessary.



10"
(254mm)
SQUARE

Quazite: Available Size Chart

Style	Size	Depths	Assembly Load Rating Options	UL
PC	6x8	6 3/4	Tier 15	Yes
	8x8	12, 18	Tier 15	Yes
	8x18	7, 8	Tier 8, Tier 15	Yes
	11x18	12, 18	Tier 8	Yes
	12x12	12	Tier 8, Tier 15	Yes
	13x24	12	Tier 5	Yes
	17x30	12	Tier 5	Yes
PD	11x18	12	Tier 8, Tier 15, Tier 22	No
	11x21	12	Tier 8, Tier 15, Tier 22	No
	13x24	12, 18, 26	Tier 8, Tier 15, Tier 22	No
	17x30	12, 18, 26	Tier 8, Tier 15, Tier 22	Yes
	24x36	18, 26, 48	Tier 8, Tier 15, Tier 22	Yes
	30x48	24, 48	Tier 8, Tier 15, Tier 22	Yes
PG	10x15	12	Tier 8, Tier 15, Tier 22	No
	11x18	12, 18	Tier 8, Tier 15, Tier 22	Yes
	11x20	12, 18	Tier 8, Tier 15, Tier 22	No
	13x24	12, 18, 24	Tier 8, Tier 15, Tier 22	Yes
	17x30	12, 18, 22, 24, 30	Tier 8, Tier 15, Tier 22	Yes
	24x24	24*	Tier 8, Tier 15, Tier 22	Yes
	24x36	18, 24, 30, 36, 42*	Tier 8, Tier 15, Tier 22	Yes
	30x48	18, 24, 36, 48*	Tier 8, Tier 15, Tier 22	Yes
	30x60	21, 30, 36	Tier 5, Tier 15, Tier 22	No
	36x36	36*	Tier 8, Tier 15, Tier 22	Yes
	36x60	19, 24, 31, 36*	Tier 5, Tier 15, Tier 22	No
	36x72	21, 36	Tier 5, Tier 15, Tier 22	No
	48x48	36, 48	Tier 5, Tier 15, Tier 22	No
	48x60	48	Tier 22	No
	48x72	36, 48*	Tier 5, Tier 15, Tier 22	No
	48x78	27, 36	Design 12,000 lbs / Test 24,000 lbs	No
48x96	48*	Tier 5, Tier 15, Tier 22	No	
PT	10x15	18	Tier 8, Tier 15	No
	13x24	18	Tier 8, Tier 15	Yes
	17x30	18	Tier 8, Tier 15	Yes
PX	12x12	24	Tier 8, Tier 15	Yes
Median	5x16		Tier 8, Tier 15	No
	10x12		Tier 8, Tier 15	No
Round	27	36, 48	Tier 8, Tier 15, Tier 22	Tier 8 ONLY
	39	18, 24, 36, 48, 72	Tier 8, Tier 15, Tier 22	Yes

*Extensions Available

Quazite FRP: Available Size Chart

INTRODUCTION

Style	Size	Depths	Load Rating Options
Straight Wall	6x8	6 3/4	Tier 8
	10x15	12	Tier 8, Tier 15
	11x18	12, 18	Tier 8, Tier 15, Tier 22
	11x21	12	Tier 5, Tier 8, Tier 15
	11x32	12	Tier 5, Tier 8, Tier 15
	12x12	12	Tier 8, Tier 15, Tier 22
	13x24	12, 18	Tier 8, Tier 15, Tier 22
	15x17	12	Tier 8, Tier 15
	15x27	12	Tier 5, Tier 8
	16x22	18	Tier 8, Tier 15
	17x30	12, 18, 22, 30	Tier 8, Tier 15, Tier 22
	24x24	12, 18, 24	Tier 8, Tier 15, Tier 22
	24x36	18, 24, 30	Tier 8, Tier 15, Tier 22
	30x48	18, 24, 36	Tier 8, Tier 15, Tier 22
	30x60	18, 30, 36, 48	Tier 8, Tier 15, Tier 22
	36x36	18, 24, 30, 36, 48	Tier 8, Tier 15, Tier 22
	36x60	18, 24, 30, 36, 48	Tier 8, Tier 15, Tier 22
	36x72	36, 48	Tier 8, Tier 15, Tier 22
Flared Wall	10x15	12, 18	Tier 8, Tier 15
	11x18	12, 18	Tier 8, Tier 15, Tier 22
	11x32	12	Tier 5, Tier 8
	12x12	12, 24	Tier 8, Tier 15
	13x24	12, 18, 24*	Tier 8, Tier 15, Tier 22
	15x17	12	Tier 5, Tier 8, Tier 15
	15x27	12	Tier 5, Tier 8
	16x22	30	Tier 8, Tier 15
	17x30	12, 18, 22, 24, 30, 34*	Tier 8, Tier 15, Tier 22
	24x36	18, 24, 30, 36, 42, 48*	Tier 8, Tier 15, Tier 22
	24x60	24	Tier 5
	30x48	18, 24, 30, 36	Tier 8, Tier 15, Tier 22

Style	Size	Depths	Load Rating Options	
Corrugated Wall	30x48	18, 24, 30, 36, 48*	Tier 8, Tier 15, Tier 22	
	30x60	18, 24, 30, 36, 48	Tier 5, Tier 8, Tier 15, Tier 22	
	36x60	18, 24, 30, 36, 48	Tier 8, Tier 15, Tier 22	
	36x72	18, 24, 30, 36, 48	Tier 8, Tier 15, Tier 22	
	36x96	30, 36, 48	Tier 8, Tier 15, Tier 22	
	48x48	18, 24, 30, 36, 48	Tier 8, Tier 15, Tier 22	
	48x72	18, 24, 30, 36, 48	Tier 8, Tier 15, Tier 22	
	48x78	18, 24, 30, 36, 48	Tier 8, Tier 15, Tier 22	
	48x96	18, 24, 30, 36, 48	Tier 8, Tier 15, Tier 22	
	78x96	36, 48	Tier 8, Tier 15, Tier 22	
	Round (54mm) SQUARE	2,000	24, 48	Tier 8, Tier 15, Tier 22
		2,700	36, 72	Tier 8, Tier 15
3,200		36	Tier 8, Tier 15, Tier 22	
3,900		14, 30, 36	Tier 8, Tier 15, Tier 22	

*Extensions Available



PenCell: Available Size Chart

Style	Size	Depths	Load Rating Options
DT	11x18	9, 11, 18, 20	5K, Tier 15
	12x12	14, 16, 20, 25	5K, Tier 15
	13x24	15, 17, 18, 23	5K, Tier 15
	17x30	15, 17, 18, 24, 26, 30, 32, 36, 38*	5K, Tier 15, Tier 22 (24" and 36" depth only)
	24x36	18, 24, 36	5K, Tier 15, Tier 22
	30x48	24, 36	5K, Tier 15, Tier 22
PE	6	9	5K
	9	10	5K
	10	18, 19	5K
	14	12, 17*	5K
	20	15, 17	5K, 10K
	30	12, 17, 19*	5K, 10K
	36	15	5K
	10x15	12	5K
	11x18	12	3K
	13x24	12	3K
	17x30	12	3K
PM	10x10	12	20K
	12x12	24	20K
	12x18	24	20K
	12x20	18	20K
	12x24	24	20K
	18x18	24	20K
	18x24	24	20K
	18x30	24	20K
	24x24	18, 24, 30, 36, 42, 48	5K, 20K
	24x36	18, 24, 30, 36, 42, 48	5K, 20K
	24x48	18, 24, 30, 36, 42, 48	5K, 20K
	24x60	18, 24, 30, 36, 42, 48	5K, 20K
	30x36	18, 24, 30, 36, 42, 48	5K, 20K
	30x48	18, 24, 30, 36, 42, 48	5K, 20K
	30x60	18, 24, 30, 36, 42, 48	5K, 20K
	36x36	18, 24, 30, 36, 42, 48	5K, 20K
	36x48	18, 24, 30, 36, 42, 48	5K, 20K
	36x60	18, 24, 30, 36, 42, 48	5K, 20K
Round	12x12	24	20K




*Extensions Available

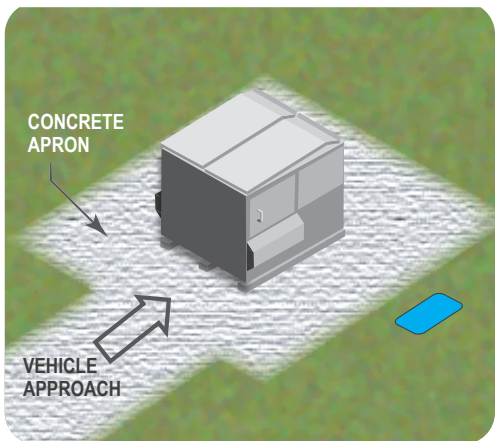
“ANSI Tier” Selection and Placement in Non-Deliberate Vehicular Traffic Applications

All load ratings are not the same

All Hubbell enclosures include load ratings either as a specified design load, or as a “Tier” Rating that designates the achievement of a particular ANSI load rating level. Most Hubbell enclosures use the ANSI Tier rating system. However, some of the PenCell enclosures use the “K” Rating system. More information on both of these ratings can be found in this catalog. If you have any questions, our engineering department is here to help.

The enclosures shown in these sketches have been color coded to indicate the proper Tier level required for the application.

-  Pedestrian/Tier 5
-  Tier 8
-  Tier 15 or 22



TRASH RECEPTACLE APPLICATION

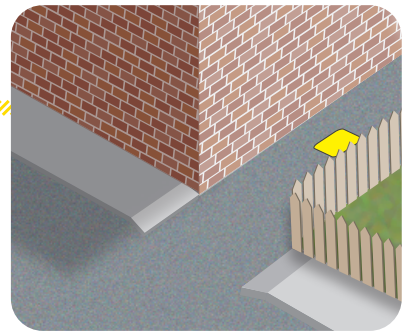
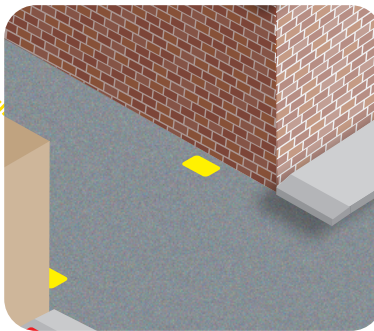
(NON-DELIBERATE TRAFFIC)

Where there is a trash receptacle, place the enclosure away from the concrete that the receptacle is set on. Even though the traffic expected on the receptacle's concrete apron is occasional, it is deliberate because the traffic is both intentional and heavy in nature. Correct placement will ensure the wheels of the truck will not roll over the enclosure.

DUAL LANE ALLEY

(NON-DELIBERATE TRAFFIC)

In a single lane alleyway, the enclosure should be placed in the center of the alleyway. This minimizes the possibility of the enclosure being run over. In a dual lane alleyway, the enclosure should be placed as close to the building as possible. Typically, two vehicles will not be in the alleyway at the same time, so chances of the enclosure being run over are minimal. Knowledge of the location and expected traffic patterns should be used to determine if traffic will be deliberate or non-deliberate.



RESIDENTIAL

(NON-DELIBERATE TRAFFIC)

Enclosures may be placed in grassy areas, sidewalks or in areas next to a structure or pole where it is unlikely a vehicle will run over it. Do not place enclosures in the street or driveway where traffic is anticipated and deliberate.



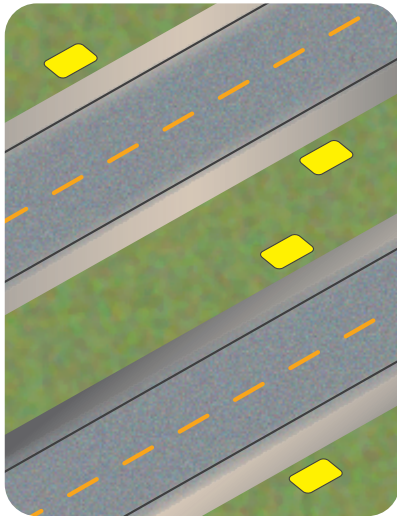
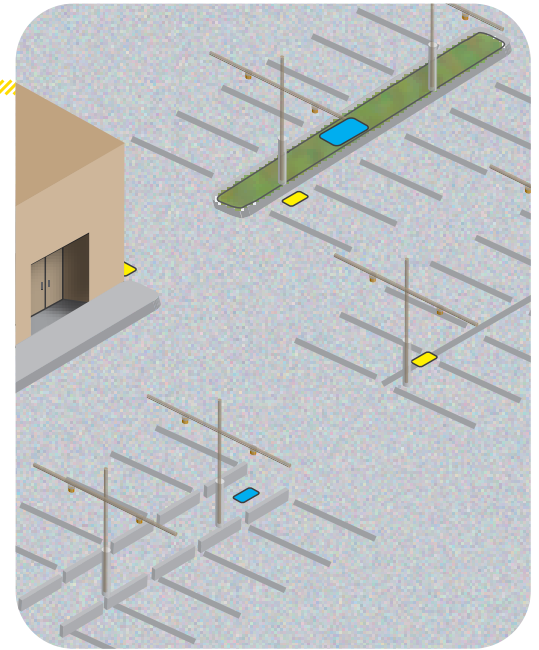
“ANSI Tier” Selection and Placement in Non-Deliberate Vehicular Traffic Applications

PARKING LOTS

(NON-DELIBERATE TRAFFIC)

Enclosure applications:

- In the front center of a parking space so that vehicle tires will straddle the enclosure.
- In the grassy area where the parking lot ends.
- Alongside and close to the lighting poles.
- Between parking curbs where the possibility of running over the enclosure is remote.
- Along the building but not in front of a door or pick up area where vehicular traffic is expected.



DIVIDED HIGHWAY

(NON-DELIBERATE TRAFFIC)

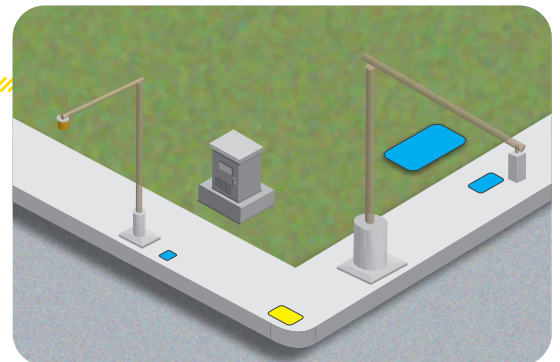
On a divided highway, place the enclosure in any area that is not paved and where deliberate traffic is not expected. They can be placed in the grassy median or off the shoulder of the highway.

NOTE: The paved shoulder of the highway is normally considered a deliberate traffic location because it may be used as a breakdown lane or as an actual traffic lane in times of construction. Therefore, an enclosure should never be placed in the paved shoulder of a road or in the road itself. The enclosure should be placed off the shoulder, in the grassy areas.

SIDEWAY and GRASSY AREA

(NON-DELIBERATE TRAFFIC)

An enclosure can be placed in any grassy area and in most sidewalks. However, an enclosure should not be placed in a sidewalk where a driveway crosses over the sidewalk.



ANSI/SCTE Tier Selection Guide

Load Ratings – Steadfast Reliability

Many Hubbell underground enclosures are designed to meet or exceed the load requirements set forth in the American National Standards Institute's ANSI/SCTE 77 2017 "Specification for Underground Enclosure Integrity." ANSI tier designations represent the minimum allowable load requirements in the industry to ensure underground enclosures are always secure and reliable.

The ANSI application tier number relates to a nominal design load multiplied by 1,000 pounds. For example, Tier 8 is 8 x 1,000 pounds, or 8,000 lbs. All ANSI tier loadings will have a corresponding test load, which is 50% greater than the design load. The maximum deflection at the indicated design load shall be a half-inch for vertical tests and a quarter-inch per foot of length for lateral tests.

Application Tiers and Static Vertical Wheel Load Ratings per ANSI/SCTE 77 2017 "Specification for Underground Enclosure Integrity"

NOTE — Quazite® products are not intended for use in deliberate traffic areas.

Application Tiers	Loading Requirements			UL Listed to meet ANSI 77 Requirements
Light Duty Pedestrian Traffic Only	Vertical	Test Load	13.3kN 3,000 lbs.	
Tier 5 Sidewalk applications with a safety factor for occasional non-deliberate vehicular traffic	Vertical	Design Load Test Load	22.2 kN 33.3 kN 5,000 lbs. 7,500 lbs.	PC 13"x24" or PC 17"x30" style enclosure and cover assemblies with standard covers (CA) and standard covers w/ o bolts (WA) .
	Lateral	Design Load Test Load	28.7 kPa 43.1 kPa 600 lbs./sq. ft. 900 lbs./sq. ft.	
TIER 8 Sidewalk applications with a safety factor for non-deliberate vehicular traffic	Vertical	Design Load Test Load	35.6 kN 53.4 kN 8,000 lbs. 12,000 lbs.	PG and PT style enclosure and cover assemblies up to 30" x 48" and PC style in sizes 6" x 8", 8" x 18", 11" x 18" and 12" x 12" with standard covers (CA) and standard covers w/ o bolts (WA) .
	Lateral	Design Load Test Load	28.7 kPa 43.1 kPa 600 lbs./sq. ft. 900 lbs./sq. ft.	
TIER 15 Driveway, parking lot and off-roadway applications subject to occasional non-deliberate heavy vehicular traffic	Vertical	Design Load Test Load	66.7 kN 100.1 kN 15,000 lbs. 22,500 lbs.	PG, PT and PC style enclosure and cover assemblies up to 30"x48" with heavy duty covers (HA) .
	Lateral	Design Load Test Load	38.3 kPa 57.5 kPa 800 lbs./sq. ft. 1,200 lbs./sq. ft.	
TIER 22 Driveway, parking lot and off-roadway applications subject to occasional non-deliberate heavy vehicular traffic	Vertical	Design Load Test Load	100.1 kN 150.1 kN 22,500 lbs. 33,750 lbs.	PC, PD, PG and PT style enclosure and cover assemblies up to 30" x 48" with extra heavy duty covers (HH) .
	Lateral	Design Load Test Load	38.3 kPa 57.5 kPa 800 lbs./sq. ft. 1,200 lbs./sq. ft.	

AASHTO H-20

Deliberate vehicular traffic applications ONLY.

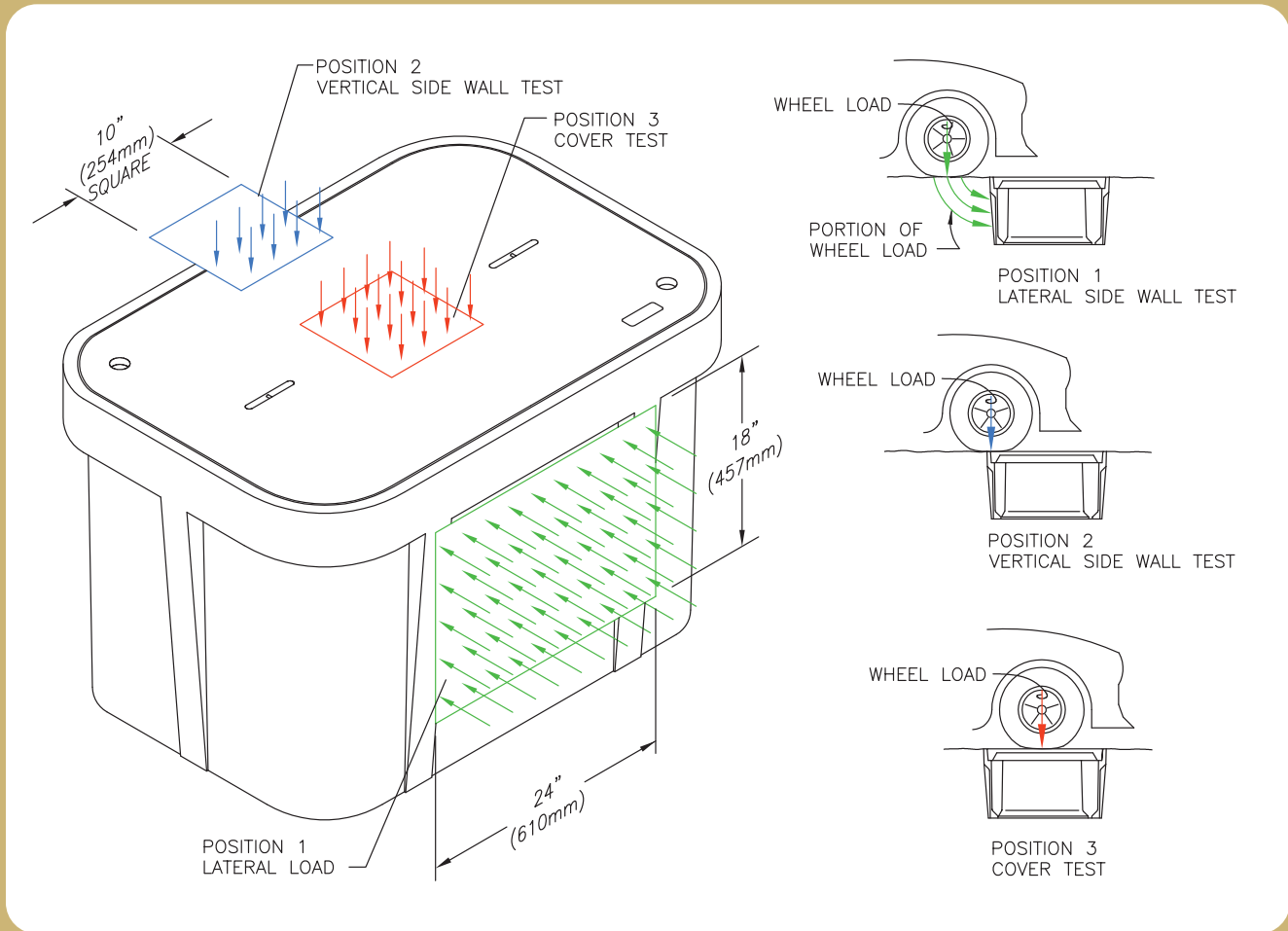
Certified precast concrete, cast iron or other AASHTO recognized materials.



Three-Position Testing – Proven Endurance.

A key requirement outlined in ANSI/SCTE 77 2017 is three-position testing for enclosures. Three-position testing is a method to verify product performance and is accomplished by test loading at three pre-designated critical points. Quazite products have been tested at each of the three positions and all have met or surpassed requirements.

The latest copy of the standard may be purchased from ANSI.



Quazite®

Hubbell maintains a large inventory of Quazite enclosures to serve your needs.



QUAZITE

1/2"
PULL

9 3/8"
(238)

ER LOGO -
QUAZITE
C STAINLE
OLT W/WCC

1/4"
(19)



.5 COEFFICIENT OF FRICTION

NEC and Underground Enclosures

The National Electric Code states in article 314.30 that enclosures "...shall be designed and installed to withstand all loads likely to be imposed..." and "addresses issues related to enclosure size, wiring entries, enclosures without bottoms and bonding requirements for covers."

The code references the ANSI/SCTE 77 "Specification for Underground Enclosure Integrity" National Standard, which outlines various tests that enclosures must pass to meet the standard. ANSI/SCTE 77 also provides load charts with Tier ratings to help users determine the appropriate enclosure to select based on the loadings expected in the application.

Quazite® – UL-Listed to ANSI Standard

All Quazite® polymer concrete enclosures meet or exceed the test provisions of ANSI/SCTE 77 2017 and most polymer concrete enclosures sized 30" x 48" and smaller are UL-Listed to the ANSI National Standard as referenced in the 2005, 2008, 2011, 2014 and 2020 NEC. To achieve this, Quazite® enclosures must pass numerous material and product performance tests before they can meet ANSI/SCTE 77 2017.

Testing Requirements for ANSI/SCTE 77 2017

- Three-Position Load Testing to simulate actual application performance
- UV Degradation per ASTM G-154
- Fire Resistance per RUS 7CFR 1755.910 (PE-91)
- Chemical Resistance per ASTM D-543
- Water Absorption per ASTM D-570
- Impact Resistance per ASTM D2444
- Accelerated service per ASTM D-756, procedure E

Note: Quazite® recommends testing by third party organizations such as UL or ETL to verify that enclosures meet all test provisions of ANSI/SCTE 77.

Quazite® – Peace of Mind.

Quazite® enclosures have undergone rigorous physical, environmental and internal equipment-protection tests and have been found by UL to meet the requirements required by the ANSI Standard. By adhering to the NEC, ANSI and UL requirements, in the enclosure-selection process, users are ensured long service life. Quazite® enclosures offer improved manageability and cost-efficiency over other enclosures, and peace of mind as well.

National Fire Protection Agency, 2005, 2008, 2011, 2014 and 2020 National Electric Code.

Subsequent to the issuance of the 2005 NEC, ANSI approved an updated version of the standard, ANSI/SCTE 77 2017.

The latest copy of the standard may be purchased from ANSI.

Quazite Selection Guide

QUAZITE



Style Guide – Tailored Product Variety.

We offer a wide variety of box styles in order to meet your most specialized enclosure needs. Each style offers specific strengths and assets for diverse functionality

PG Style

Straight sides allow for easy adjustment of box should the grade level change. Used for a variety of purposes, such as a splice box, pull box, equipment enclosure or for any application requiring easy access to an underground service. PG boxes are stackable for increased depth.



PC Style

Straight sides allow for easy adjustment of box should the grade level change. All PC boxes are stackable and are available with gasketing.



PX Style

PX Styles are excellent for service box assemblies and offer flared design to prevent frost heave. PX boxes are nestable for compact storage.



PT Style

The flared design prevents frost heave and covers are interchangeable with many precast concrete parts. PT boxes are nestable for compact storage.



PD Style

These enclosures feature a one degree flare for maximum strength. Flared design optimizes internal volume and minimizes frost heave.



• PR Style

This polymer concrete round enclosure can prevent a cover from falling into the box.



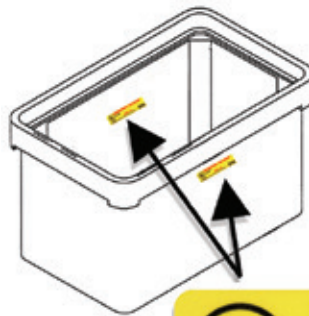
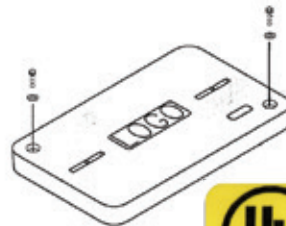
UL Listing

indicates UL Listing

UL Listed Enclosures

Determine if a UL listed enclosure is required for your installation. Federally funded electrical and telecom projects, as well as many state and municipal projects, generally require the use of a UL Listed product whenever one is available.

Most Quazite® polymer concrete underground handhole enclosures in sizes 30" x 48" and smaller are agency listed. These products are clearly marked with the UL label on both the box and underneath the cover. Special order boxes with holes (or mouseholes, etc.) may qualify for UL listing as long as the holes do not exceed more than 25 percent of the area of each sidewall and as long as the holes do not cut into a structural reinforcing rib, corner or box lip.



Highlighted areas indicate UL Listing

QUAZITE



Quazite: Available Size Chart

Style	Size	Depths	Assembly Load Rating Options	UL
PC	6x8	6 3/4	Tier 15	Yes
	8x8	12, 18	Tier 15	Yes
	8x18	7, 8	Tier 8, Tier 15	Yes
	11x18	12, 18	Tier 8	Yes
	12x12	12	Tier 8, Tier 15	Yes
	13x24	12	Tier 5	Yes
	17x30	12	Tier 5	Yes
PD	11x18	12	Tier 8, Tier 15, Tier 22	No
	11x21	12	Tier 8, Tier 15, Tier 22	No
	13x24	12, 18, 26	Tier 8, Tier 15, Tier 22	No
	17x30	12, 18, 26	Tier 8, Tier 15, Tier 22	Yes
	24x36	18, 26, 48	Tier 8, Tier 15, Tier 22	Yes
	30x48	24, 48	Tier 8, Tier 15, Tier 22	Yes
PG	10x15	12	Tier 8, Tier 15, Tier 22	No
	11x18	12, 18	Tier 8, Tier 15, Tier 22	Yes
	11x20	12, 18	Tier 8, Tier 15, Tier 22	No
	13x24	12, 18, 24	Tier 8, Tier 15, Tier 22	Yes
	17x30	12, 18, 22, 24, 30	Tier 8, Tier 15, Tier 22	Yes
	24x24	24*	Tier 8, Tier 15, Tier 22	Yes
	24x36	18, 24, 30, 36, 42*	Tier 8, Tier 15, Tier 22	Yes
	30x48	18, 24, 36, 48*	Tier 8, Tier 15, Tier 22	Yes
	30x60	21, 30, 36	Tier 5, Tier 15, Tier 22	No
	36x36	36*	Tier 8, Tier 15, Tier 22	Yes
	36x60	19, 24, 31, 36*	Tier 5, Tier 15, Tier 22	No
	36x72	21, 36	Tier 5, Tier 15, Tier 22	No
	48x48	36, 48	Tier 5, Tier 15, Tier 22	No
	48x60	48	Tier 22	No
	48x72	36, 48*	Tier 5, Tier 15, Tier 22	No
	48x78	27, 36	Design 12,000 lbs / Test 24,000 lbs	No
48x96	48*	Tier 5, Tier 15, Tier 22	No	
PT	10x15	18	Tier 8, Tier 15	No
	13x24	18	Tier 8, Tier 15	Yes
	17x30	18	Tier 8, Tier 15	Yes
PX	12x12	24	Tier 8, Tier 15	Yes
Median	5x16		Tier 8, Tier 15	No
	10x12		Tier 8, Tier 15	No
Round	27	36, 48	Tier 8, Tier 15, Tier 22	Tier 8 ONLY
	39	18, 24, 36, 48, 72	Tier 8, Tier 15, Tier 22	Yes

*Extensions Available

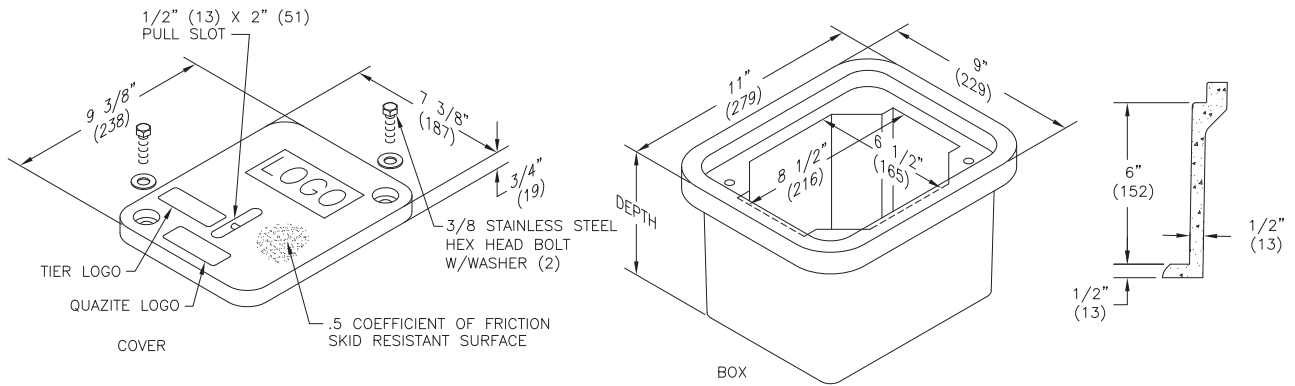
QUAZITE



6" x 8" PC Style Polymer Concrete (Stackable) Assembly

Dimensions / Data

Hex Head Bolts are Standard



TEST
POSITION 3
COVER TEST

Covers

	DESCRIPTION	TIER	DESIGN / TEST LOAD #	WEIGHT #	PALLET QTY	PART NO.
UL	W/ 2 Bolts	15	15,000 / 22,500	4	40	PC0608HA00**
UL	Gasketed w/ 4 Bolts	15	15,000 / 22,500	4	40	PC0608HG00**

Replace ** with a logo code found on page 64.

NOTE: Gasketed covers and bolt grommets must be used with a gasketed box. Gaskets reduce the inflow of fluids but do not make the enclosure water tight.

Boxes

	DESCRIPTION	DEPTH	TIER	DESIGN / TEST LOAD #	WEIGHT #	PALLET QTY	PART NO.
UL	Standard Open Bottom	6 3/4"	15	15,000 / 22,500	14	160	PC0608BA06
UL	Solid Bottom	7 1/4"	15	15,000 / 22,500	15	160	PC0608DA06

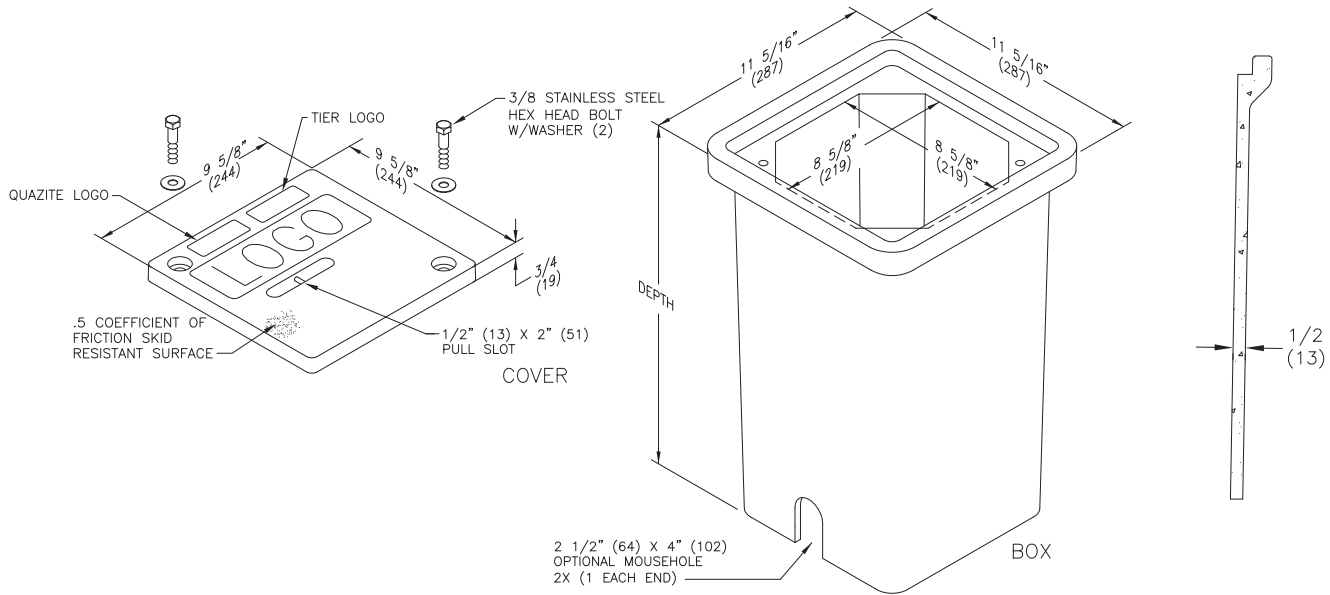
To order gasketed boxes, replace the letter "A" with the letter "G".

NOTE: Gasketed covers and bolt grommets must be used with a gasketed box. Gaskets reduce the inflow of fluids but do not make the enclosure water tight.

QUAZITE

24"
610mm)

Hex Head Bolts are Standard



Covers

	DESCRIPTION	TIER	DESIGN / TEST LOAD #	WEIGHT #	PALLET QTY	PART NO.
	W/ 2 Bolts	15	15,000 / 22,500	6	36	PC0808HA00**
	Gasketed w/ 2 Bolts	15	15,000 / 22,500	6	36	PC0808HG00**

Replace ** with a logo code found on page 64.

NOTE: Gasketed covers and bolt grommets must be used with a gasketed box. Gaskets reduce the inflow of fluids but do not make the enclosure water tight.

Boxes

	DESCRIPTION	DEPTH	TIER	DESIGN / TEST LOAD #	WEIGHT #	PALLET QTY	PART NO.
	Standard Open Bottom	12"	15	15,000 / 22,500	25	36	PC0808BA12
		18"	15	15,000 / 22,500	36	24	PC0808BA18
	Solid Bottom	18 1/2"	15	15,000 / 22,500	42	24	PC0808DA18

To order boxes with two standard mouseholes, replace the letter "A" with the letter "B".

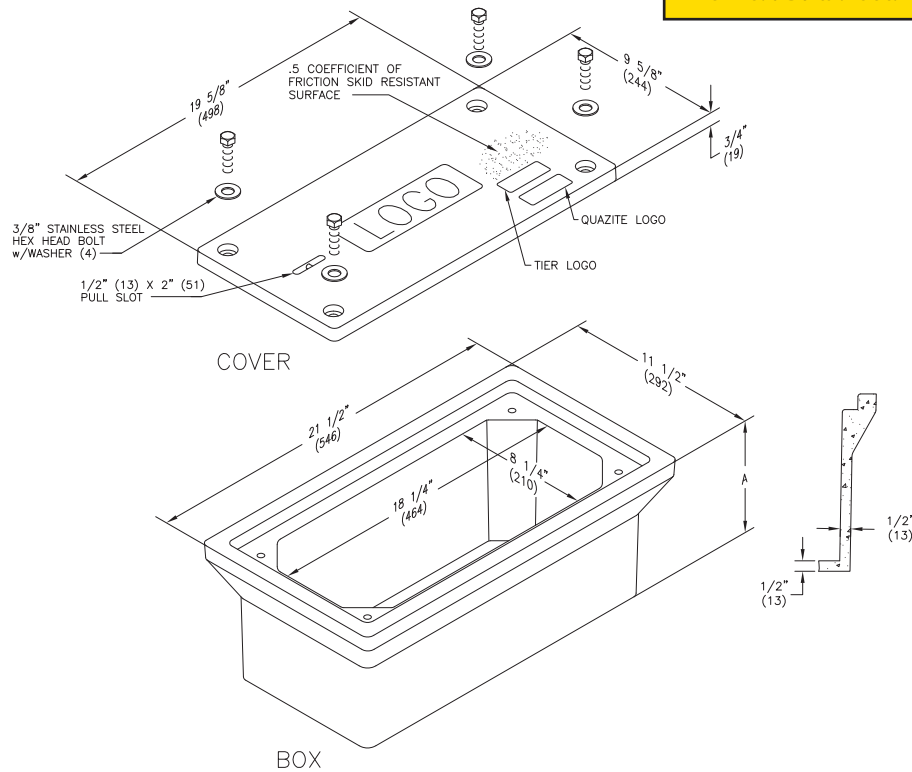
To order gasketed boxes, replace the letter "A" with the letter "G".

NOTE: Gasketed covers and bolt grommets must be used with a gasketed box. Gaskets reduce the inflow of fluids but do not make the enclosure water tight.

8" x 18" PC Style Polymer Concrete (Stackable) Assembly

Dimensions / Data

Hex Head Bolts are Standard



Covers

	DESCRIPTION	TIER	DESIGN / TEST LOAD #	WEIGHT #	PALLET QTY	PART NO.
	W/ 4 Bolts	8	8,000 / 12,000	11	20	PC0818CA00**
	No Bolts	8	8,000 / 12,000	11	20	PC0818WA00**
	W/ 4 Bolts	15	15,000 / 22,500	11	20	PC0818HA00**

Replace ** with a logo code found on page 64.

To order gasketed covers replace the letter "A" with the letter "G".

NOTE: Gasketed covers and bolt grommets must be used with a gasketed box. Gaskets reduce the inflow of fluids but do not make the enclosure water tight.

Boxes

	DESCRIPTION	DEPTH	TIER	DESIGN / TEST LOAD #	WEIGHT #	PALLET QTY	PART NO.
	Standard Open Bottom	7"	15	15,000 / 22,500	25	20	PC0818BA07
		8"	15	15,000 / 22,500	27	20	PC0818BA08
	Solid Bottom	7 1/2"	15	15,000 / 22,500	32	20	PC0818DA07
		8 1/2"	15	15,000 / 22,500	35	20	PC0818DA08

To order boxes with two standard mouseholes, replace the letter "A" with the letter "B".

To order gasketed boxes, replace the letter "A" with the letter "G".

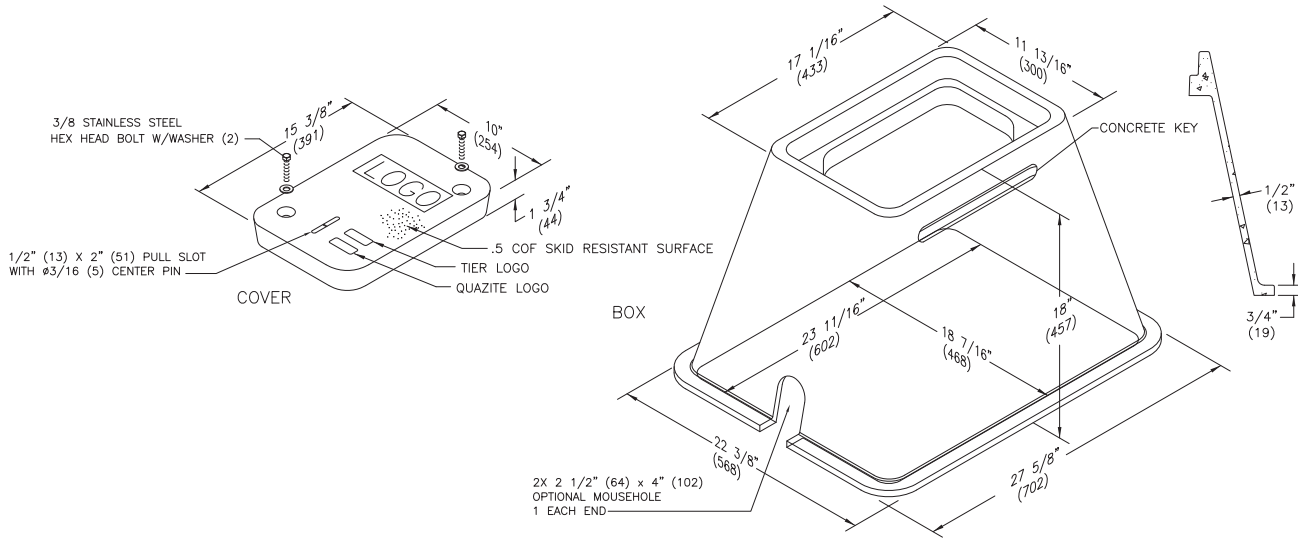
NOTE: Gasketed covers and bolt grommets must be used with a gasketed box. Gaskets reduce the inflow of fluids but do not make the enclosure water tight.

QUAZITE

10" x 15" PT Style Polymer Concrete (Nestable) Assembly

Dimensions / Data

Hex Head Bolts are Standard



Covers

DESCRIPTION	TIER	DESIGN / TEST LOAD #	WEIGHT #	PALLET QTY	PART NO.
W/ 2 Bolts	8	8,000 / 12,000	20	40	PT1015CA00**
W/ 2 Bolts	15	15,000 / 22,500	20	40	PT1015HA00**
No Bolts	8	8,000 / 12,000	20	40	PT1015WA00**

To order gasketed covers, replace the letter "A" with the letter "G".

Replace ** with a logo code found on page 64. See page 70 for meter and touch/radio read cover options.

NOTE: Gasketed covers and bolt grommets must be used with a gasketed box. Gaskets reduce the inflow of fluids but do not make the enclosure water tight.

Boxes

DESCRIPTION	DEPTH	TIER	DESIGN / TEST LOAD #	WEIGHT #	PALLET QTY	PART NO.
Standard Open Bottom	18"	15	15,000 / 22,500	70	5	PT1015BA18

To order boxes with two standard mouseholes, replace the letter "A" with the letter "B".

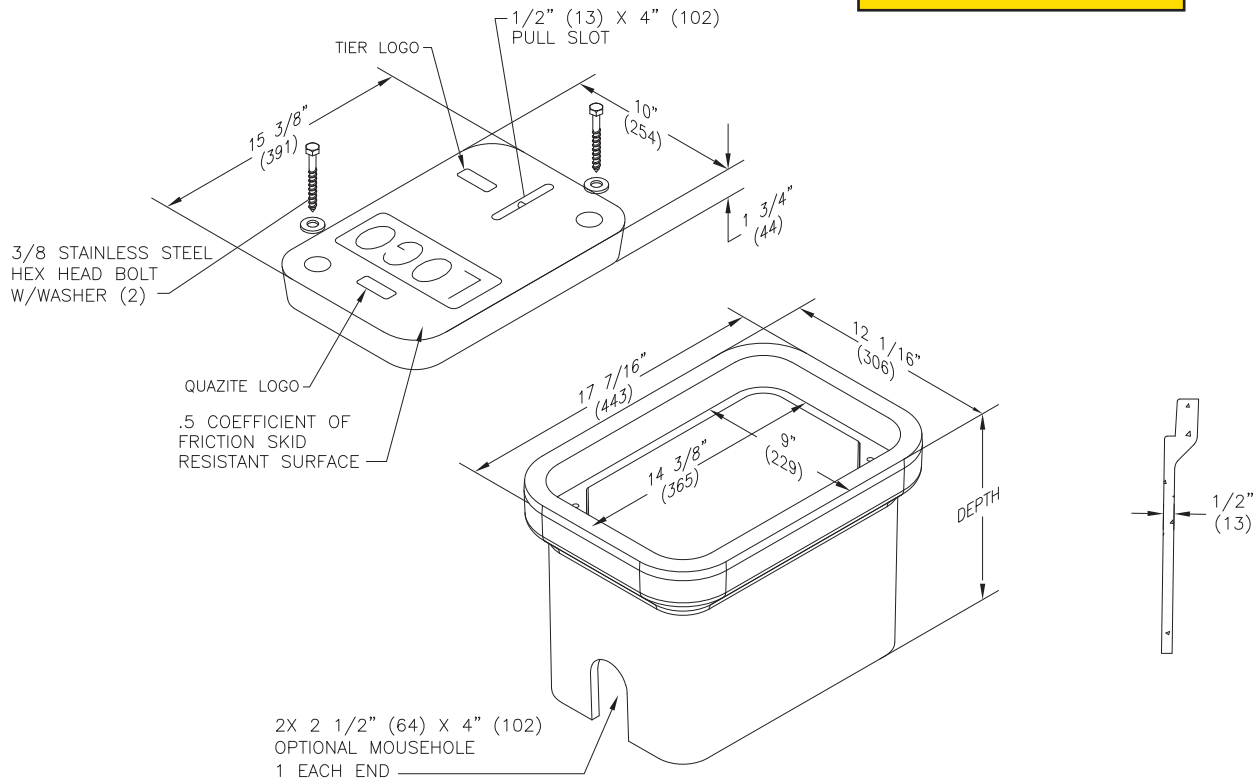
To order gasketed boxes, replace the letter "A" with the letter "G".

NOTE: Gasketed covers and bolt grommets must be used with a gasketed box. Gaskets reduce the inflow of fluids but do not make the enclosure water tight.

10" x 15" PG Style Polymer Concrete (Stackable) Assembly

Dimensions / Data

Hex Head Bolts are Standard



Covers

DESCRIPTION	TIER	DESIGN / TEST LOAD #	WEIGHT #	PALLET QTY	PART NO.
W/ 2 Bolts	8	8,000 / 12,000	20	40	PG1015CA00**
No Bolts	8	8,000 / 12,000	20	40	PG1015WA00**
W/ 2 Bolts	15	15,000 / 22,500	20	40	PG1015HA00**
W/ 2 Bolts	22	22,500 / 33,750	20	40	PG1015HH00**

Replace ** with a logo code found on page 64.

NOTE: Gasketed covers and bolt grommets must be used with a gasketed box. Gaskets reduce the inflow of fluids but do not make the enclosure water tight.

Boxes

DESCRIPTION	DEPTH	TIER	DESIGN / TEST LOAD #	WEIGHT #	PALLET QTY	PART NO.
Standard Open Bottom	12"	22	22,500 / 33,750	35	35	PG1015BA12

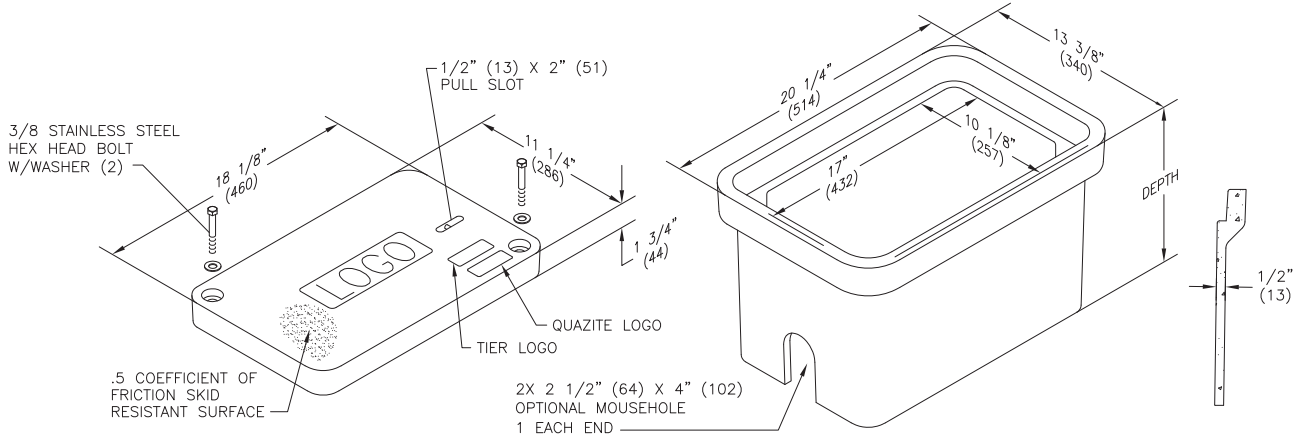
To order boxes with two standard mouseholes, replace the letter "A" with the letter "B".

To order gasketed boxes, replace the letter "A" with the letter "G".

NOTE: Gasketed covers and bolt grommets must be used with a gasketed box. Gaskets reduce the inflow of fluids but do not make the enclosure water tight.

QUAZITE

Hex Head Bolts are Standard



Covers

	DESCRIPTION	TIER	DESIGN / TEST LOAD #	WEIGHT #	PALLET QTY	PART NO.
UL	W/ 2 Bolts	8	8,000 / 12,000	27	40	PG1118CA00**
UL	W/ 2 Bolts	15	15,000 / 22,500	27	40	PG1118HA00**
UL	No Bolts	8	8,000 / 12,000	27	40	PG1118WA00**
UL	W/ 2 Bolts	22	22,500 / 33,750	27	40	PG1118HH00**

To order gasketed covers, replace the letter "A" with the letter "G".
 Replace ** with a logo code found on page 64. See page 70 for meter and touch/radio read cover options.
 NOTE: Gasketed covers and bolt grommets must be used with a gasketed box. Gaskets reduce the inflow of fluids but do not make the enclosure water tight.

Boxes

	DESCRIPTION	DEPTH	TIER	DESIGN / TEST LOAD #	WEIGHT #	PALLET QTY	PART NO.
UL	Standard Open Bottom	12"	22	22,500 / 33,750	40	30	PG1118BA12
UL		18"		22,500 / 33,750	53	24	PG1118BA18
UL	Solid Bottom	12 1/2"	22	22,500 / 33,750	43	30	PG1118DA12
UL		18 1/2"		22,500 / 33,750	60	24	PG1118DA18
UL	Footed Box	12 1/2"	22	22,500 / 33,750	41	30	PG1118JA12
UL		18 1/2"		22,500 / 33,750	55	24	PG1118JA18

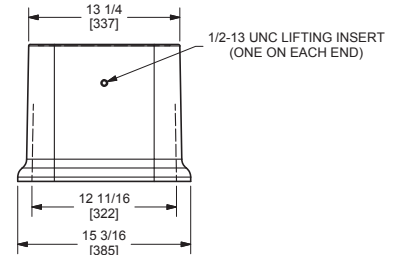
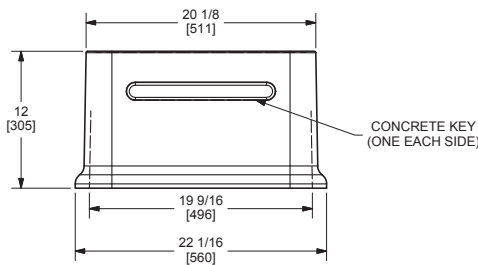
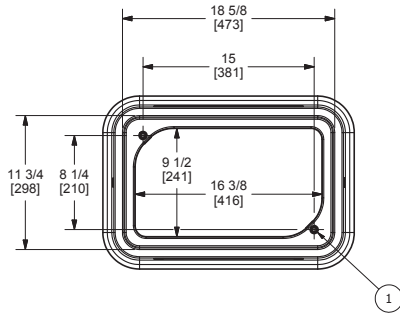
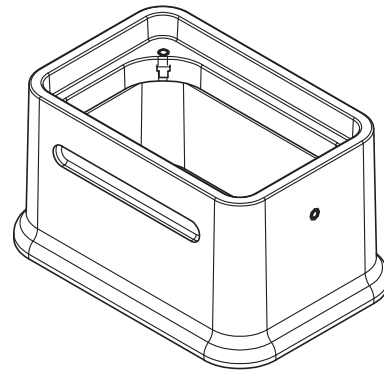
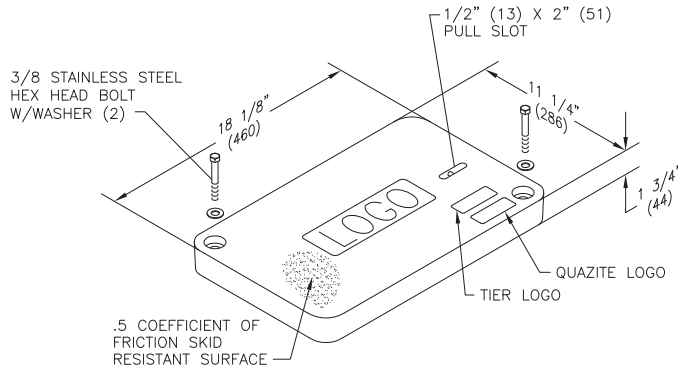
To order boxes with two standard mouseholes, replace the letter "A" with the letter "B".
 To order gasketed boxes, replace the letter "A" with the letter "G".
 NOTE: Gasketed covers and bolt grommets must be used with a gasketed box. Gaskets reduce the inflow of fluids but do not make the enclosure water tight.

QUAZITE

11" x 18" PD Style Polymer Concrete Assembly

Dimensions / Data

Hex Head Bolts are Standard



Covers

	DESCRIPTION	TIER	DESIGN / TEST LOAD #	WEIGHT #	PALLET QTY	PART NO.
	No Bolts	8	8,000 / 12,000	27	40	PG1118WA00**
	No Bolts	15	15,000 / 22,500	27	40	PG1118H500**
	No Bolts	22	22,500 / 33,750	27	40	PG1118H556**

Replace ** with a logo code found on page 64. See page 70 for meter and touch/radio read cover options.

NOTE: Above covers are non-bolting. If bolts are required, please contact customer service.

Boxes

	DESCRIPTION	DEPTH	TIER	DESIGN / TEST LOAD #	WEIGHT #	PALLET QTY	PART NO.
	Std. Open Bottom	12"	22	22,500 / 33,750	51	24	PD1118BA12

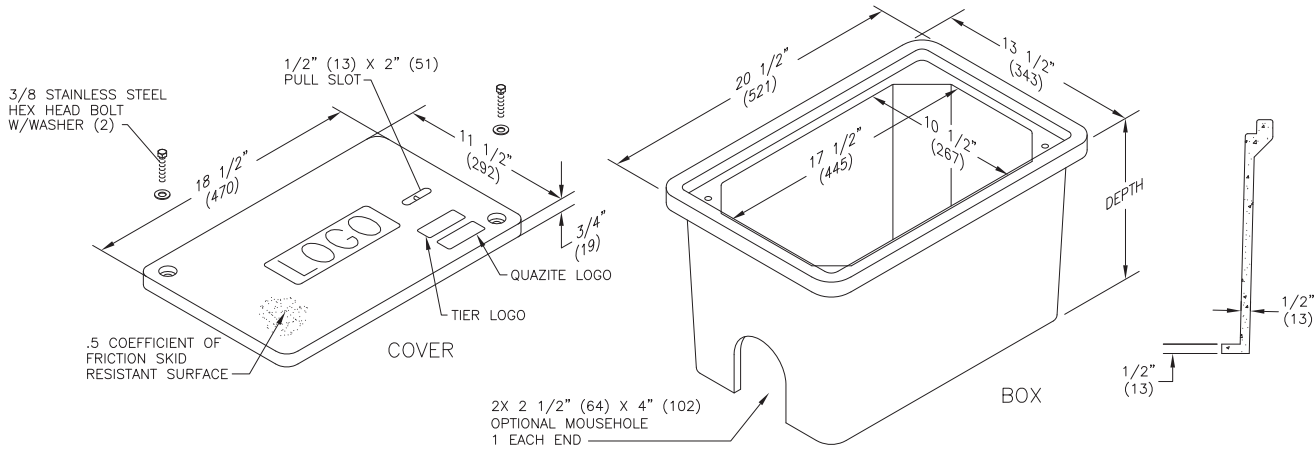
To order boxes with two standard mouseholes, replace the letter "A" with the letter "B".

To order gasketed boxes, replace the letter "A" with the letter "G".

NOTE: Gasketed covers and bolt grommets must be used with a gasketed box. Gaskets reduce the inflow of fluids but do not make the enclosure water tight.

QUAZITE

Hex Head Bolts are Standard



Covers

	DESCRIPTION	TIER	DESIGN / TEST LOAD #	WEIGHT #	PALLET QTY	PART NO.
UL	W/ 2 Bolts	8	8,000 / 12,000	13	40	PC1118CA00**
UL	Gasketed w/ 4 Bolts	8	8,000 / 12,000	13	40	PC1118CG00**
UL	No Bolts	8	8,000 / 12,000	13	40	PC1118WA00**

Replace ** with a logo code found on page 64.

NOTE: Gasketed covers and bolt grommets must be used with a gasketed box. Gaskets reduce the inflow of fluids but do not make the enclosure water tight.

Boxes

	DESCRIPTION	DEPTH	TIER	DESIGN / TEST LOAD #	WEIGHT #	PALLET QTY	PART NO.
UL	Standard Open Bottom	12"	8	8,000 / 12,000	37	24	PC1118BA12
UL		18"		8,000 / 12,000	53	30	PC1118BA18
UL	Solid Bottom	12 1/2"	8	8,000 / 12,000	45	24	PC1118DA12
UL		18 1/2"		8,000 / 12,000	60	30	PC1118DA18
UL	Footed Box	12 1/2"	8	8,000 / 12,000	37	24	PC1118JA12
UL		18 1/2"		8,000 / 12,000	56	30	PC1118JA18

To order boxes with two standard mouseholes, replace the letter "A" with the letter "B".

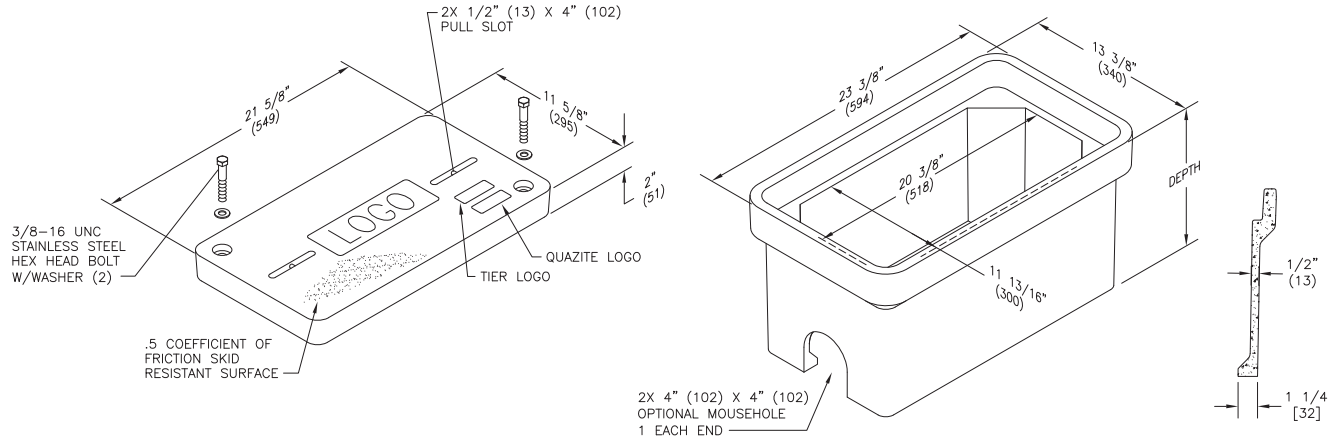
To order gasketed boxes, replace the letter "A" with the letter "G".

NOTE: Gasketed covers and bolt grommets must be used with a gasketed box. Gaskets reduce the inflow of fluids but do not make the enclosure water tight.

11" x 20" PG Style Polymer Concrete (Stackable) Assembly

Dimensions / Data

Hex Head Bolts are Standard



Covers

DESCRIPTION	TIER	DESIGN / TEST LOAD #	WEIGHT #	PALLET QTY	PART NO.
W/ 2 Bolts	8	8,000 / 12,000	28	30	PG1120CA00**
W/ 2 Bolts	15	15,000 / 22,500	38	30	PG1120HA00**
No Bolts	8	8,000 / 12,000	28	30	PG1120WA00**
W/ 2 Bolts	22	22,500 / 33,750	38	30	PG1120HH00**

To order gasketed covers, replace the letter "A" with the letter "G".
 Replace ** with a logo code found on page 64. See page 70 for meter and touch/radio read cover options.
 NOTE: Gasketed covers and bolt grommets must be used with a gasketed box. Gaskets reduce the inflow of fluids but do not make the enclosure water tight.

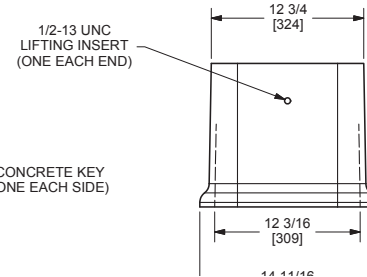
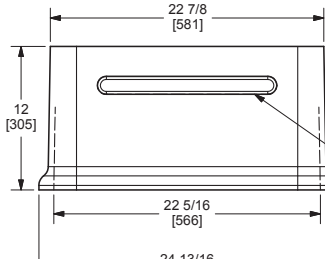
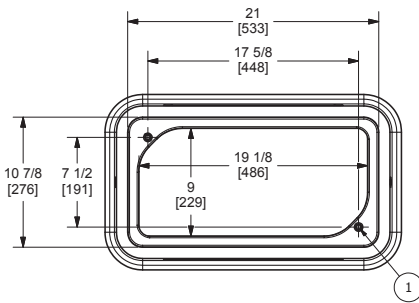
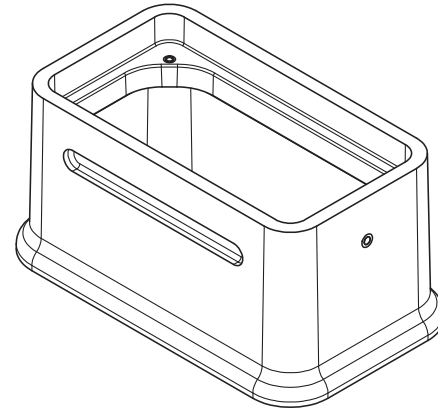
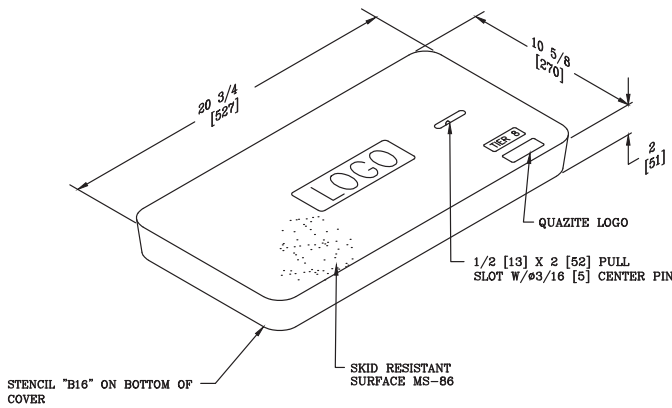
Boxes

DESCRIPTION	DEPTH	TIER	DESIGN / TEST LOAD #	WEIGHT #	PALLET QTY	PART NO.
Standard Open Bottom	12"	22	22,500 / 33,750	50	20	PG1120BA12
	18"		22,500 / 33,750	69	16	PG1120BA18
Solid Bottom	12 1/2"	22	22,500 / 33,750	58	20	PG1120DA12
	18 1/2"		22,500 / 33,750	77	16	PG1120DA18

To order boxes with two standard mouseholes, replace the letter "A" with the letter "B".
 To order gasketed boxes, replace the letter "A" with the letter "G".
 NOTE: Gasketed covers and bolt grommets must be used with a gasketed box. Gaskets reduce the inflow of fluids but do not make the enclosure water tight.

QUAZITE

Hex Head Bolts are Standard



Covers

	DESCRIPTION	TIER	DESIGN / TEST LOAD #	WEIGHT #	PALLET QTY	PART NO.
UL	No Bolts	8	8,000 / 12,000	33	30	PG1121WA00**
UL	No Bolts	15	15,000 / 22,500	33	30	PG1121H512**
UL	No Bolts	22	22,500 / 33,750	33	30	PG1121H513**

Replace ** with a logo code found on page 64. See page 70 for meter and touch/radio read cover options.
 NOTE: Above covers are non-bolting. If bolts are required, please contact customer service.

Boxes

	DESCRIPTION	DEPTH	TIER	DESIGN / TEST LOAD #	WEIGHT #	PALLET QTY	PART NO.
UL	Std. Open Bottom	12"	22	22,500 / 33,750	52	24	PD1121BA12

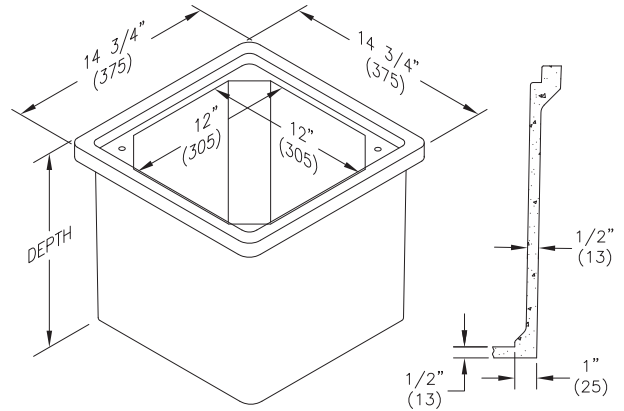
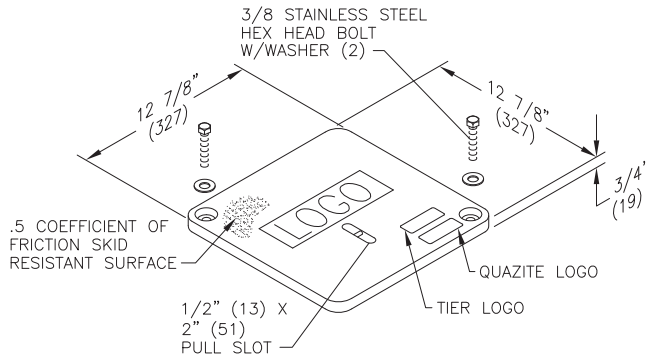
To order boxes with two standard mouseholes, replace the letter "A" with the letter "B".
 To order gasketed boxes, replace the letter "A" with the letter "G".
 NOTE: Gasketed covers and bolt grommets must be used with a gasketed box. Gaskets reduce the inflow of fluids but do not make the enclosure water tight.

QUAZITE

12" x 12" PC Style Polymer Concrete (Stackable) Assembly

Dimensions / Data

Hex Head Bolts are Standard



Covers

	DESCRIPTION	TIER	DESIGN / TEST LOAD #	WEIGHT #	PALLET QTY	PART NO.
	W/ 2 Bolts	8	8,000 / 12,000	12	60	PC1212CA00**
	W/ 2 Bolts	15	15,000 / 22,500	12	60	PC1212HA00**
	No Bolts	8	8,000 / 12,000	12	60	PC1212WA00**

To order gasketed covers, replace the letter "A" with the letter "G".

Gasketed covers are with four bolts.

Replace ** with a logo code found on page 64.

NOTE: Gasketed covers and bolt grommets must be used with a gasketed box. Gaskets reduce the inflow of fluids but do not make the enclosure water tight.

Boxes

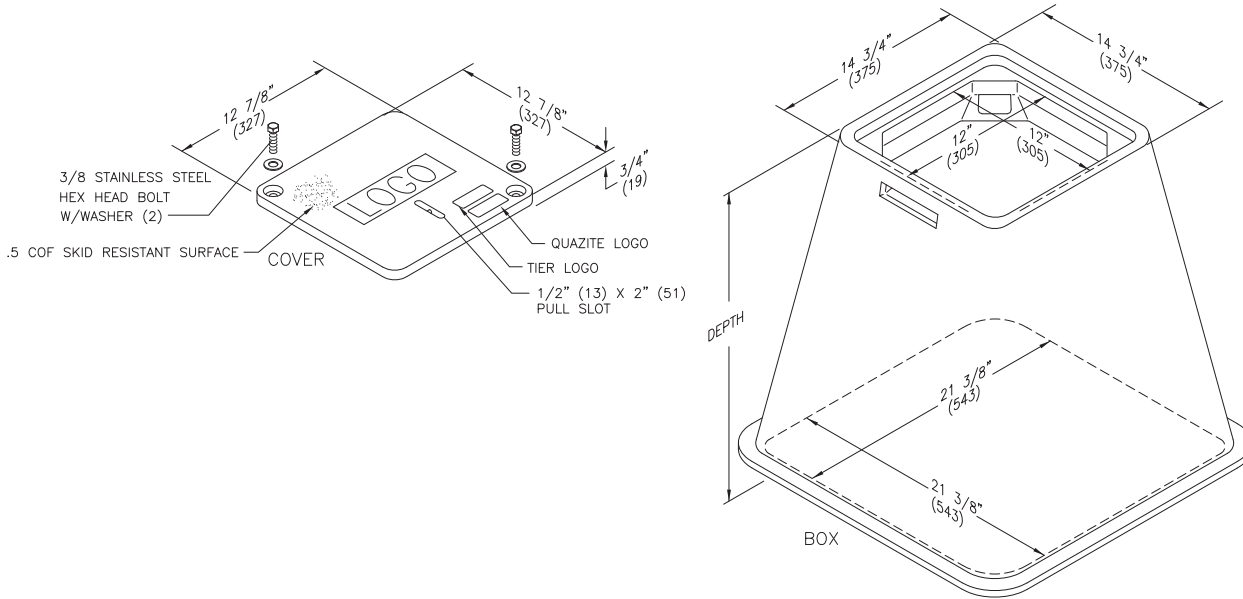
	DESCRIPTION	DEPTH	TIER	DESIGN / TEST LOAD #	WEIGHT #	PALLET QTY	PART NO.
	Standard Open Bottom	12"	15	15,000 / 22,500	36	30	PC1212BA12
	Solid Bottom	12 1/2"	15	15,000 / 22,500	41	30	PC1212DA12

To order gasketed boxes, replace the letter "A" with the letter "G".

NOTE: Gasketed covers and bolt grommets must be used with a gasketed box. Gaskets reduce the inflow of fluids but do not make the enclosure water tight.

QUAZITE

Hex Head Bolts are Standard



Covers

	DESCRIPTION	TIER	DESIGN / TEST LOAD #	WEIGHT #	PALLET QTY	PART NO.
	W/ 2 Bolts	8	8,000 / 12,000	20	60	PC1212CA00**
	W/ 2 Bolts	15	15,000 / 22,500	20	60	PC1212HA00**
	No Bolts	8	8,000 / 12,000	20	60	PC1212WA00**

To order gasketed covers, replace the letter "A" with the letter "G".

Gasketed covers are with four bolts.

Replace ** with a logo code found on page 64.

NOTE: Gasketed covers and bolt grommets must be used with a gasketed box. Gaskets reduce the inflow of fluids but do not make the enclosure water tight.

Boxes

	DESCRIPTION	DEPTH	TIER	DESIGN / TEST LOAD #	WEIGHT #	PALLET QTY	PART NO.
	Standard Open Bottom	24"	15	15,000 / 22,500	85	5	PX1212BA24

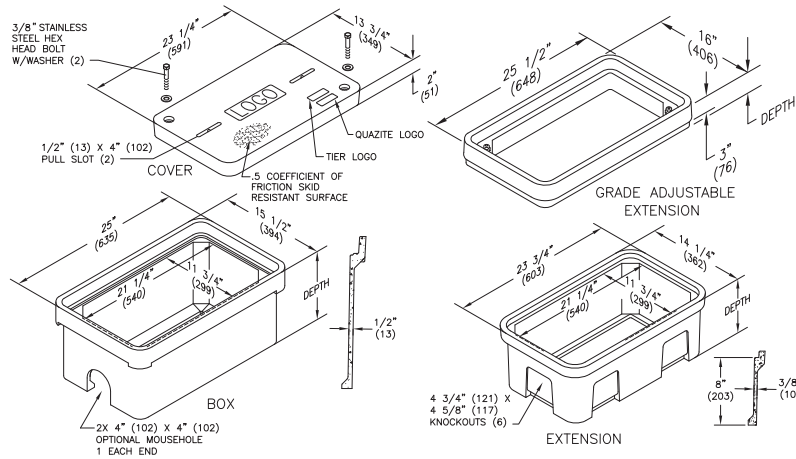
To order gasketed boxes, replace the letter "A" with the letter "G".

NOTE: Gasketed covers and bolt grommets must be used with a gasketed box. Gaskets reduce the inflow of fluids but do not make the enclosure water tight.

13" x 24" PG Style Polymer Concrete (Stackable) Assembly

Dimensions / Data

Hex Head Bolts are Standard



Covers

	DESCRIPTION	TIER	DESIGN / TEST LOAD #	WEIGHT #	PALLET QTY	PART NO.
UL	W/ 2 Bolts	8	8,000 / 12,000	33	30	PG1324CA00**
UL	W/ 2 Bolts	15	15,000 / 22,500	51	30	PG1324HA00**
UL	W/ 2 Bolts	22	22,500 / 33,750	54	30	PG1324HH00**
UL	No Bolts	8	8,000 / 12,000	33	30	PG1324WA00**

To order gasketed covers, replace the letter "A" with the letter "G".
 Replace ** with a logo code found on page 64. See page 70 for meter and touch/radio read cover options.
 NOTE: Gasketed covers and bolt grommets must be used with a gasketed box. Gaskets reduce the inflow of fluids but do not make the enclosure water tight.
 Available with EZ Locate. See page 69 for more information.

Boxes

	DESCRIPTION	DEPTH	TIER	DESIGN / TEST LOAD #	WEIGHT #	PALLET QTY	PART NO.
UL	Standard Open Bottom	12"	22	22,500 / 33,700	53	20	PG1324BA12
		18"		22,500 / 33,700	72	16	PG1324BA18
		24"		22,500 / 33,700	91	12	PG1324BA24
UL	Solid Bottom	12 1/2"	22	22,500 / 33,700	63	20	PG1324DA12
		18 1/2"		22,500 / 33,700	85	16	PG1324DA18
		24 1/2"		22,500 / 33,700	107	12	PG1324DA24

To order boxes with two standard mouseholes, replace the letter "A" with the letter "B".
 To order gasketed boxes, replace the letter "A" with the letter "G".

Extensions (for use under box only, one per box)

DESCRIPTION	DEPTH	TIER	DESIGN / TEST LOAD #	WEIGHT #	PALLET QTY	PART NO.
8" Open Bottom	8 3/4"	22	22,500 / 33,750	25	24	PG1324EA08
8" Solid Bottom	9 1/4"	22	22,500 / 33,750	35	24	PG1324RA08

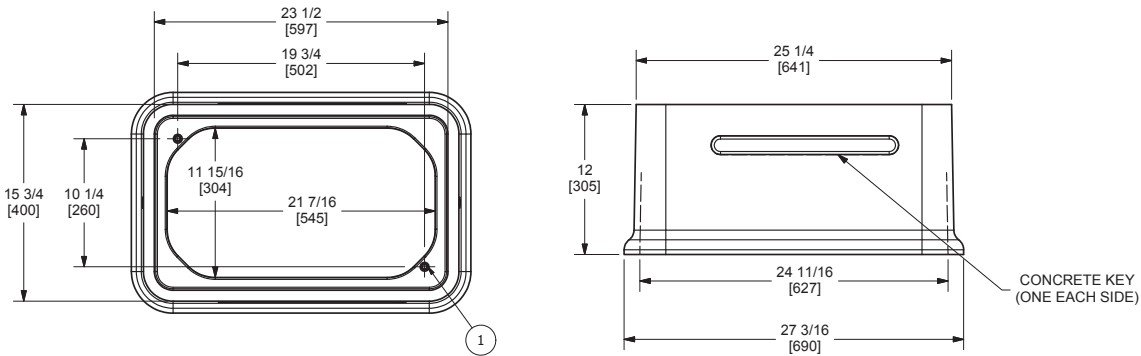
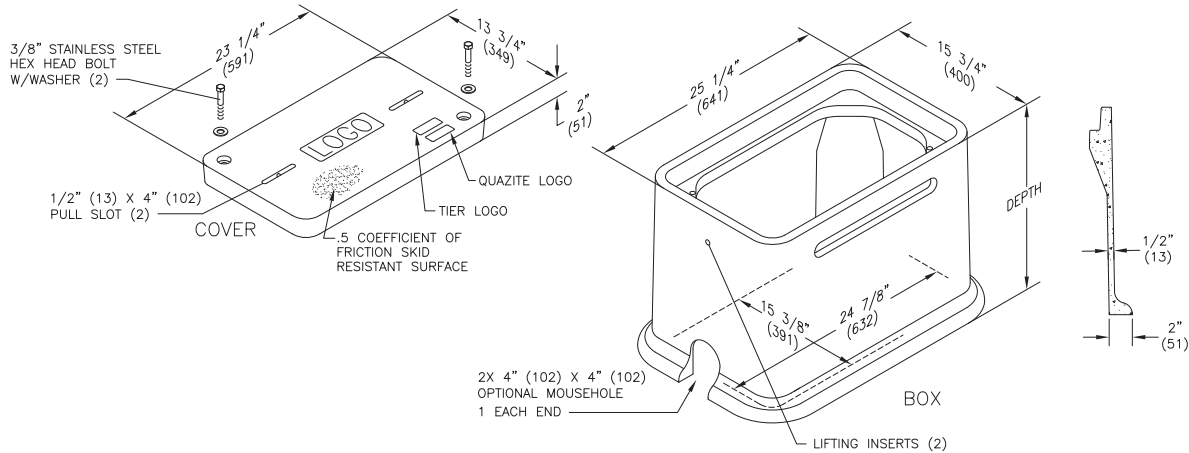
Grade Adjustable Extension (for use on top of box only, one per box)

DESCRIPTION	DEPTH	TIER	DESIGN / TEST LOAD #	WEIGHT #	PALLET QTY	PART NO.
3" Top Extension	5 1/8"	22	22,500 / 33,750	37	24	PG1324ED03

QUAZITE



Hex Head Bolts are Standard



Covers

	DESCRIPTION	TIER	DESIGN / TEST LOAD #	WEIGHT #	PALLET QTY	PART NO.
UL	W/ 2 Bolts	8	8,000 / 12,000	33	30	PG1324CA00**
UL	W/ 2 Bolts	15	15,000 / 22,500	51	30	PG1324HA00**
UL	W/ 2 Bolts	22	22,500 / 33,750	54	30	PG1324HH00**
UL	No Bolts	8	8,000 / 12,000	33	30	PG1324WA00**

Replace ** with a logo code found on page 64. See page 70 for meter and touch/radio read cover options. To order gasketed covers, replace the letter "A" with the letter "G".

Boxes

DESCRIPTION	DEPTH	TIER	DESIGN / TEST LOAD #	WEIGHT #	PALLET QTY	PART NO.
Standard Open Bottom	12"	22	22,500 / 33,750	74	4	PD1324BA12
Standard Open Bottom	18"	22	22,500 / 33,750	104	4	PD1324BA18
Open Bottom	26"	22	22,500 / 33,750	133	4	PD1324BA26

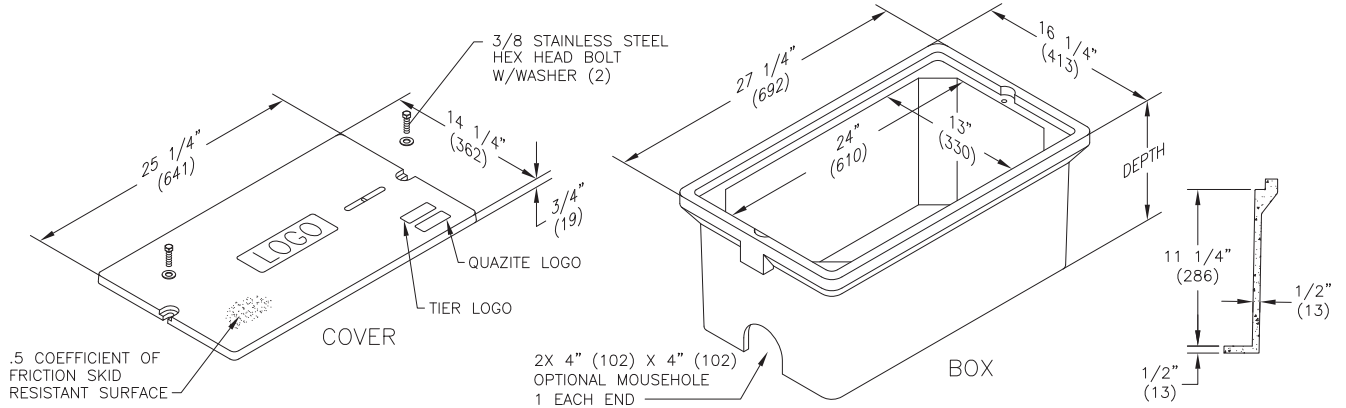
To order boxes with two standard mouseholes, replace the letter "A" with the letter "B". To order gasketed boxes, replace the letter "A" with the letter "G". NOTE: Gasketed covers and bolt grommets must be used with a gasketed box. Gaskets reduce the inflow of fluids but do not make the enclosure water tight.

QUAZITE

13" x 24" PC Style Polymer Concrete (Stackable) Assembly

Dimensions / Data

Hex Head Bolts are Standard



Covers

	DESCRIPTION	TIER	DESIGN / TEST LOAD #	WEIGHT #	PALLET QTY	PART NO.
UL	W/ 2 Bolts	5	5,000 / 7,500	23	40	PC1324CA00**
UL	No Bolts	5	5,000 / 7,500	23	40	PC1324WA00**

To order gasketed covers, replace the letter "A" with the letter "G".

Replace ** with a logo code found on page 64.

NOTE: Gasketed covers and bolt grommets must be used with a gasketed box. Gaskets reduce the inflow of fluids but do not make the enclosure water tight.

Boxes

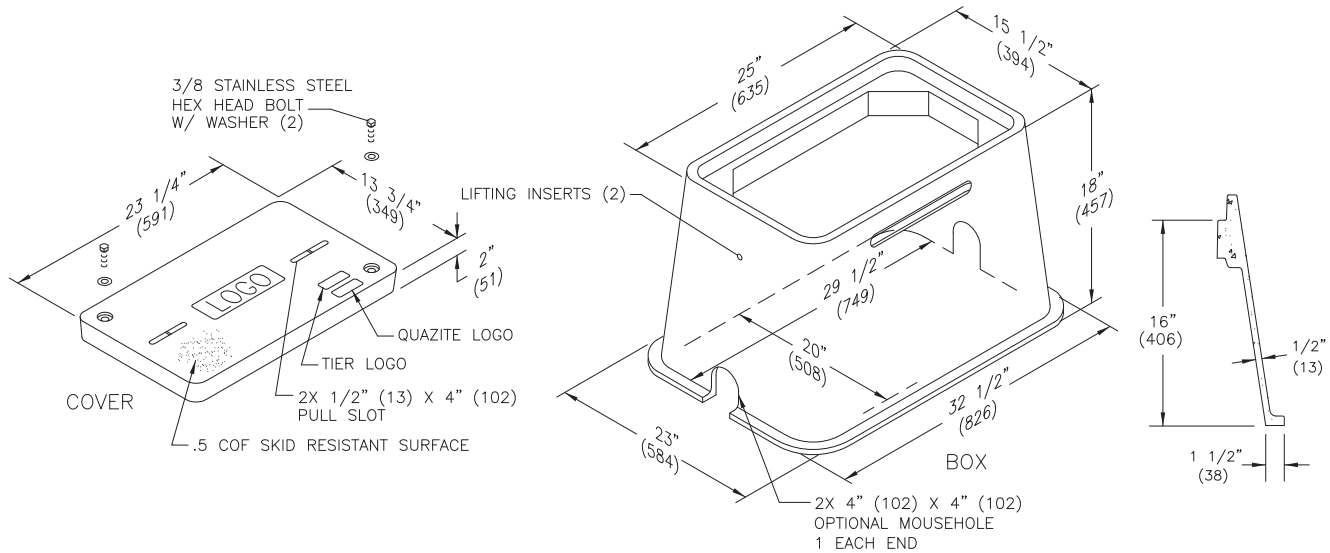
	DESCRIPTION	DEPTH	TIER	DESIGN / TEST LOAD #	WEIGHT #	PALLET QTY	PART NO.
UL	Standard Open Bottom	12"	5	5,000 / 7,500	50	20	PC1324BA12
UL	Solid Bottom	12 1/2"	5	5,000 / 7,500	60	20	PC1324DA12
UL	Footed Box	12 1/2"	5	5,000 / 7,500	57	20	PC1324JA12

To order boxes with two standard mouseholes, replace the letter "A" with the letter "B".

To order gasketed boxes, replace the letter "A" with the letter "G".

NOTE: Gasketed covers and bolt grommets must be used with a gasketed box. Gaskets reduce the inflow of fluids but do not make the enclosure water tight.

Hex Head Bolts are Standard



Covers

	DESCRIPTION	TIER	DESIGN / TEST LOAD #	WEIGHT #	PALLET QTY	PART NO.
UL	W/ 2 Bolts	8	8,000 / 12,000	32	30	PT1324CA00**
UL	W/ 2 Bolts	15	15,000 / 22,500	49	30	PT1324HA00**

To order gasketed covers, replace the letter "A" with the letter "G".

Replace ** with a logo code found on page 64. See page 70 for meter and touch/radio read cover options.

NOTE: Gasketed covers and bolt grommets must be used with a gasketed box. Gaskets reduce the inflow of fluids but do not make the enclosure water tight.

Boxes

	DESCRIPTION	DEPTH	TIER	DESIGN / TEST LOAD #	WEIGHT #	PALLET QTY	PART NO.
UL	Standard Open Bottom	18"	15	15,000 / 22,500	97	5	PT1324BA18

To order boxes with two standard mouseholes, replace the letter "A" with the letter "B".

To order gasketed boxes, replace the letter "A" with the letter "G".

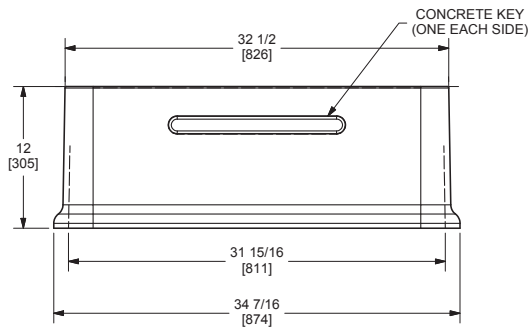
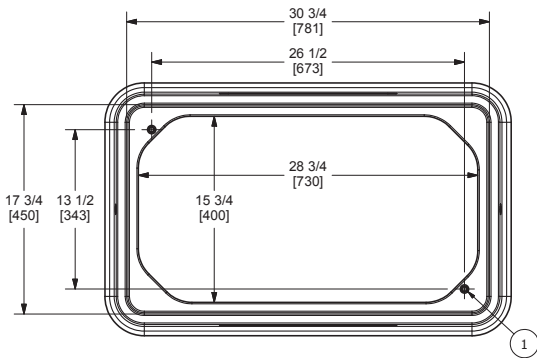
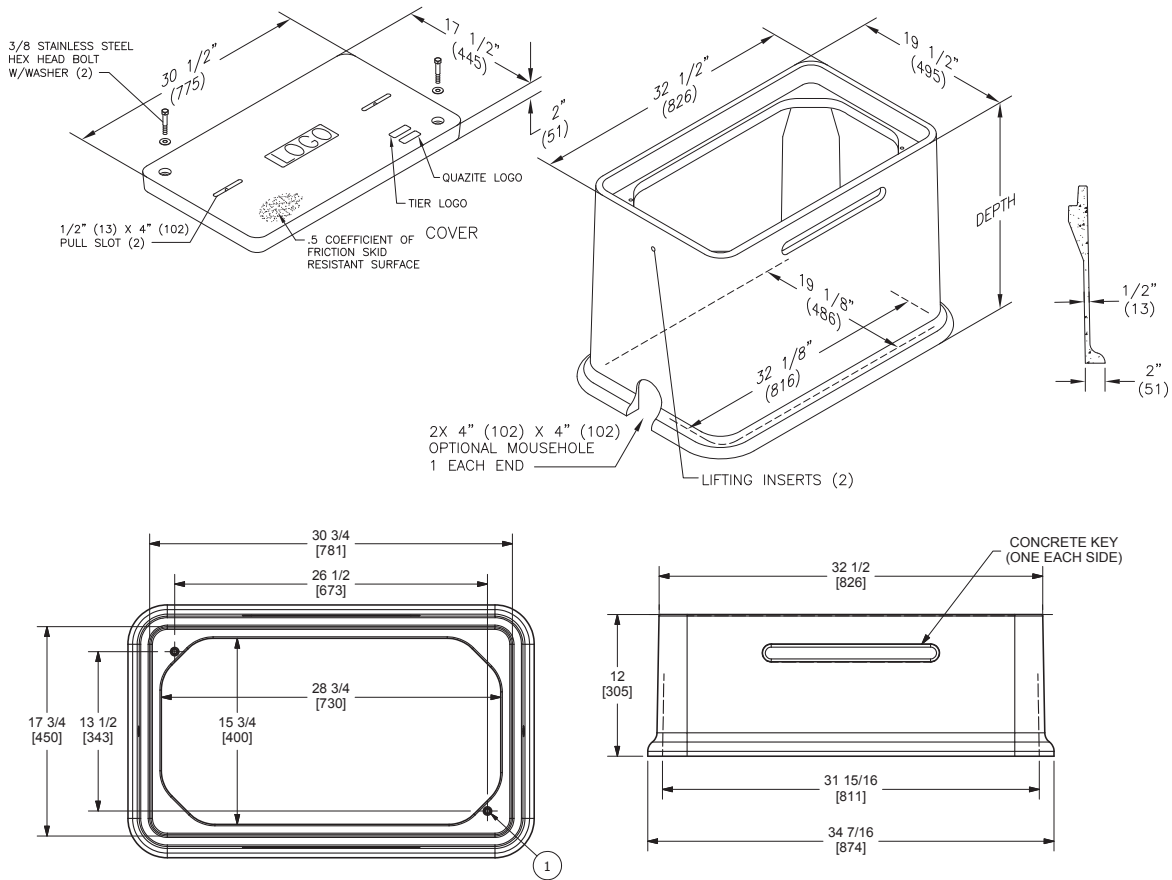
NOTE: Gasketed covers and bolt grommets must be used with a gasketed box. Gaskets reduce the inflow of fluids but do not make the enclosure water tight.

QUAZITE

17" x 30" PD Style Polymer Concrete Assembly

Dimensions / Data

Hex Head Bolts are Standard



Covers

	DESCRIPTION	TIER	DESIGN / TEST LOAD #	WEIGHT #	PALLET QTY	PART NO.
UL	W/ 2 Bolts	8	8,000 / 12,000	52	20	PG1730CA00**
UL	W/ 2 Bolts	15	15,000 / 22,500	83	20	PG1730HA00**
UL	W/ 2 Bolts	22	22,500 / 33,750	83	20	PG1730HH00**
UL	No Bolts	8	8,000 / 12,000	52	20	PG1730WA00**

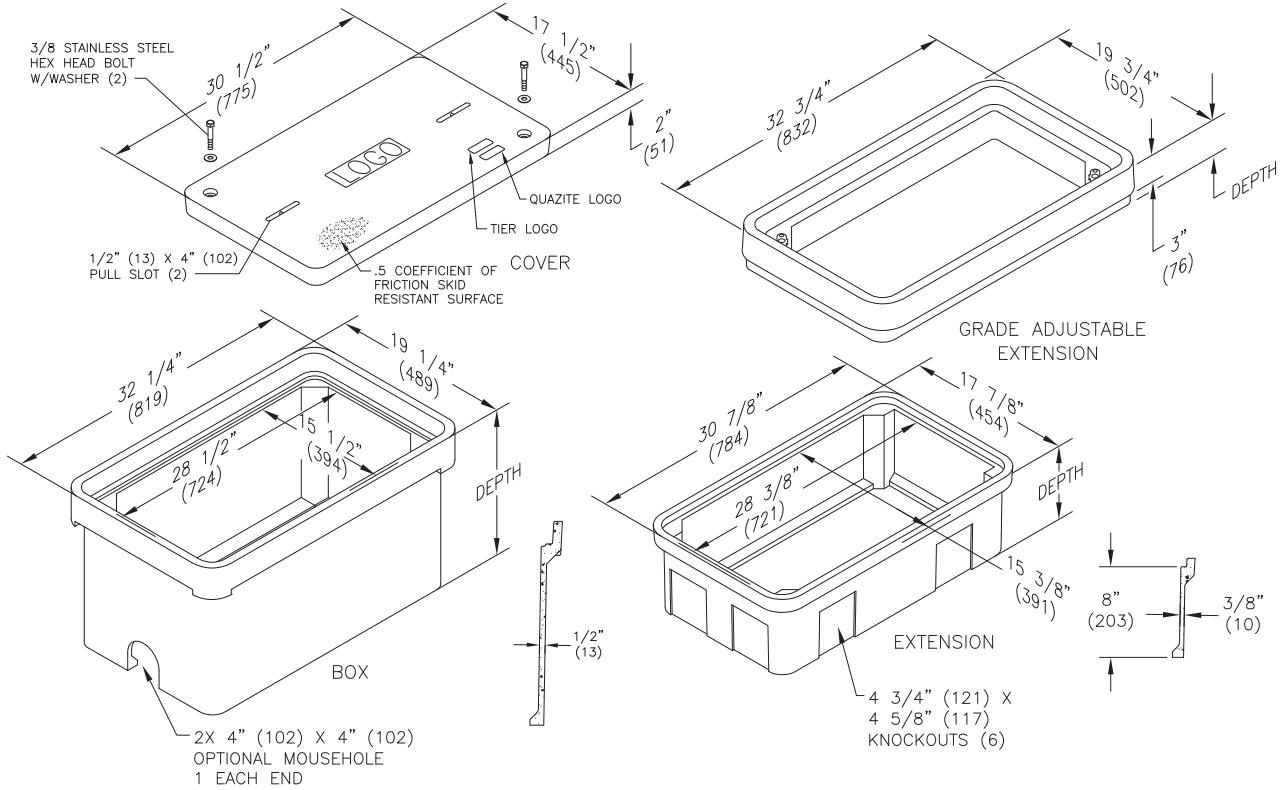
To order gasketed covers, replace the letter "A" with the letter "G".
 Replace ** with a logo code found on page 64. See page 70 for meter and touch/radio read cover options.

Boxes

	DESCRIPTION	DEPTH	TIER	DESIGN / TEST LOAD #	WEIGHT #	PALLET QTY	PART NO.
UL	Standard Open Bottom	12"	22	22,500 / 33,750	84	4	PD1730BA12
UL	Standard Open Bottom	18"	22	22,500 / 33,750	129	4	PD1730BA18
	Open Bottom	26"	22	22,500 / 33,750	166	4	PD1730BA26

To order boxes with two standard mouseholes, replace the letter "A" with the letter "B".
 To order gasketed boxes, replace the letter "A" with the letter "G".
 NOTE: Gasketed covers and bolt grommets must be used with a gasketed box. Gaskets reduce the inflow of fluids but do not make the enclosure water tight.

Hex Head Bolts are Standard



Covers

	DESCRIPTION	TIER	DESIGN / TEST LOAD #	WEIGHT #	PALLET QTY	PART NO.
UL	W/ 2 Bolts	8	8,000 / 12,000	52	20	PG1730CA00**
UL	W/ 2 Bolts	15	15,000 / 22,500	83	20	PG1730HA00**
UL	W/ 2 Bolts	22	22,500 / 33,750	83	20	PG1730HH00**
UL	No Bolts	8	8,000 / 12,000	52	20	PG1730WA00**

To order gasketed covers, replace the letter "A" with the letter "G".

Replace ** with a logo code found on page 64. See page 70 for meter and touch/radio read cover options.

NOTE: Gasketed covers and bolt grommets must be used with a gasketed box. Gaskets reduce the inflow of fluids but do not make the enclosure water tight.

Available with EZ Locate. See page 69 for more information.

QUAZITE

17" x 30" PG Style Polymer Concrete (Stackable) Assembly

Dimensions / Data

Hex Head Bolts are Standard

Boxes (box depths 22" thru 30" must be used as bottom of any stack)

DESCRIPTION	DEPTH	TIER	DESIGN / TEST LOAD #	WEIGHT #	PALLET QTY	PART NO.
Standard Open Bottom	12"	22	22,500 / 33,750	67	10	PG1730BA12
	18"		22,500 / 33,750	94	8	PG1730BA18
	22"		22,500 / 33,750	106	6	PG1730BA22
	24"		22,500 / 33,750	122	6	PG1730BA24
	30"		22,500 / 33,750	144	4	PG1730BA30
Solid Bottom	12 1/2"	22	22,500 / 33,750	85	10	PG1730DA12
	18 1/2"		22,500 / 33,750	112	8	PG1730DA18
	22 1/2"		22,500 / 33,750	124	6	PG1730DA22
	24 1/2"		22,500 / 33,750	137	6	PG1730DA24
	30 1/2"		22,500 / 33,750	150	4	PG1730DA30

To order boxes with two standard mouseholes, replace the letter "A" with the letter "B".

To order gasketed boxes, replace the letter "A" with the letter "G".

NOTE: Gasketed cover and bolt grommets must be used with a gasketed box. Gaskets reduce the inflow of fluids but do not make the enclosure water tight.

Bottom Extensions (for use under 12" and 18" boxes only, one per box)

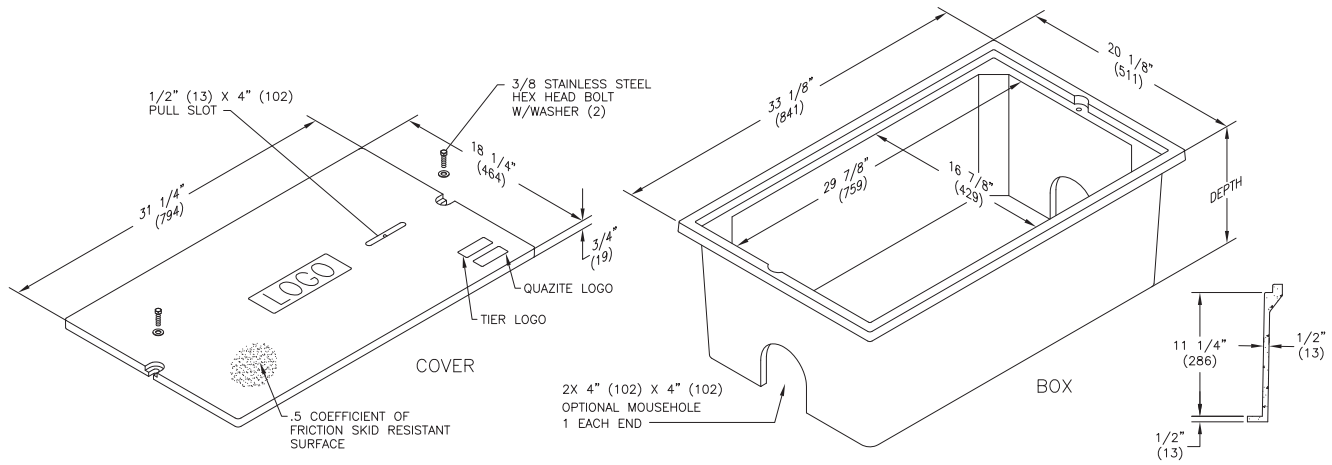
DESCRIPTION	DEPTH	TIER	DESIGN / TEST LOAD #	WEIGHT #	PALLET QTY	PART NO.
Open Bottom	8 3/4"	22	22,500 / 33,750	36	12	PG1730EA08
Solid Bottom	9 1/4"	22	22,500 / 33,750	55	12	PG1730RA08

Grade Adjustable Extension (for use on top of box only, one per box)

DESCRIPTION	DEPTH	TIER	DESIGN / TEST LOAD #	WEIGHT #	PALLET QTY	PART NO.
3" Top Extension	5 1/8"	22	22,500 / 33,750	48	12	PG1730ED03

QUAZITE

Hex Head Bolts are Standard



Covers

	DESCRIPTION	TIER	DESIGN / TEST LOAD #	WEIGHT #	PALLET QTY	PART NO.
	W/ 2 Bolts	5	5,000 / 7,500	33	30	PC1730CA00**
	No Bolts	5	5,000 / 7,500	33	30	PC1730WA00**

To order gasketed covers, replace the letter "A" with the letter "G".
 Replace ** with a logo code found on page 64.

NOTE: Gasketed covers and bolt grommets must be used with a gasketed box. Gaskets reduce the inflow of fluids but do not make the enclosure water tight.

Boxes

	DESCRIPTION	DEPTH	TIER	DESIGN / TEST LOAD #	WEIGHT #	PALLET QTY	PART NO.
	Standard Open Bottom	12"	5	5,000 / 7,500	58	10	PC1730BA12
	Solid Bottom	12 1/2"	5	5,000 / 7,500	83	10	PC1730DA12
	Footed Box	12 1/2"	5	5,000 / 7,500	67	10	PC1730JA12

To order boxes with two standard mouseholes, replace the letter "A" with the letter "B".

To order gasketed boxes, replace the letter "A" with the letter "G".

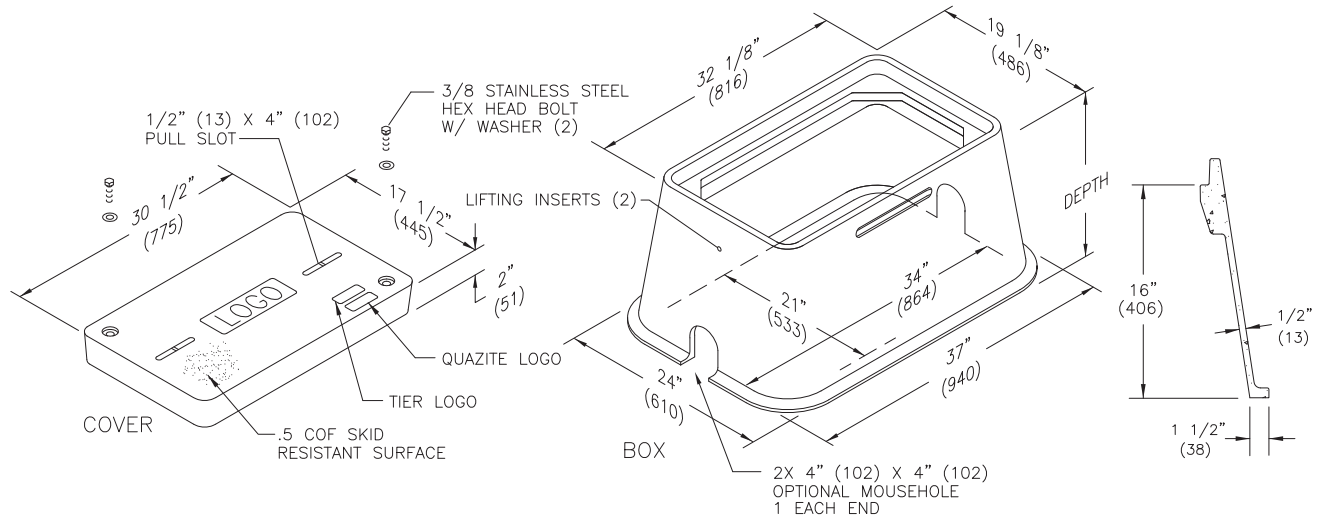
NOTE: Gasketed covers and bolt grommets must be used with a gasketed box. Gaskets reduce the inflow of fluids but do not make the enclosure water tight.

QUAZITE

17" x 30" PT Style Polymer Concrete (Nestable) Assembly

Dimensions / Data

Hex Head Bolts are Standard



Covers

	DESCRIPTION	TIER	DESIGN / TEST LOAD #	WEIGHT #	PALLET QTY	PART NO.
UL	W/ 2 Bolts	8	8,000 / 12,000	52	20	PT1730CA00**
UL	W/ No Bolts	8	8,000 / 12,000	52	20	PT1730WA00**
UL	W/ 2 Bolts	15	15,000 / 22,500	83	20	PT1730HA00**

To order gasketed covers, replace the letter "A" with the letter "G".
 Replace ** with logo code found on page 64. See page 70 for meter and touch/radio read cover options.
 NOTE: Gasketed covers and bolt grommets must be used with a gasketed box. Gaskets reduce the inflow of fluids but do not make the enclosure water tight.

Boxes

	DESCRIPTION	DEPTH	TIER	DESIGN / TEST LOAD #	WEIGHT #	PALLET QTY	PART NO.
UL	Standard Open Bottom	18"	15	15,000 / 22,500	126	5	PT1730BA18

To order boxes with two standard mouseholes, replace the letter "A" with the letter "B".
 To order gasketed boxes, replace the letter "A" with the letter "G".
 NOTE: Gasketed covers and bolt grommets must be used with a gasketed box. Gaskets reduce the inflow of fluids but do not make the enclosure water tight.

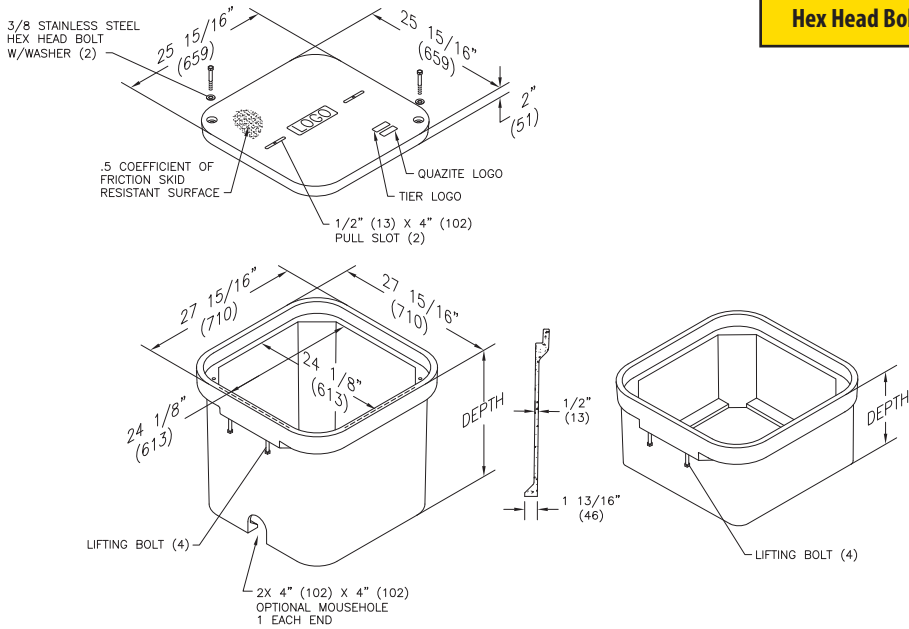
QUAZITE



24" x 24" PG Style Polymer Concrete (Stackable) Assembly

Dimensions / Data

Hex Head Bolts are Standard



Covers

	DESCRIPTION	TIER	DESIGN / TEST LOAD #	WEIGHT #	PALLET QTY	PART NO.
	W/ 2 Bolts	8	8,000 / 12,000	70	10	PG2424CA00**
	W/ 2 Bolts	15	15,000 / 22,500	100	10	PG2424HA00**
	W/ 2 Bolts	22	22,500 / 33,750	100	10	PG2424HH00**
	No Bolts	8	8,000 / 12,000	70	10	PG2424WA00**

To order gasketed covers, replace the letter "A" with the letter "G".
 Replace ** with a logo code found on page 64. See page 70 for meter and touch/radio read cover options.
 NOTE: Gasketed covers and bolt grommets must be used with a gasketed box. Gaskets reduce the inflow of fluids but do not make the enclosure water tight.

Boxes

	DESCRIPTION	DEPTH	TIER	DESIGN / TEST LOAD #	WEIGHT #	PALLET QTY	PART NO.
	Standard Open Bottom	24"	22	22,500 / 33,750	165	2	PG2424BA24
	Solid Bottom	24 1/2"	22	22,500 / 33,750	185	2	PG2424DA24

To order boxes with two standard mouseholes, replace the letter "A" with the letter "B".
 To order gasketed boxes, replace the letter "A" with the letter "G".
 NOTE: Gasketed covers and bolt grommets must be used with a gasketed box. Gaskets reduce the inflow of fluids but do not make the enclosure water tight.

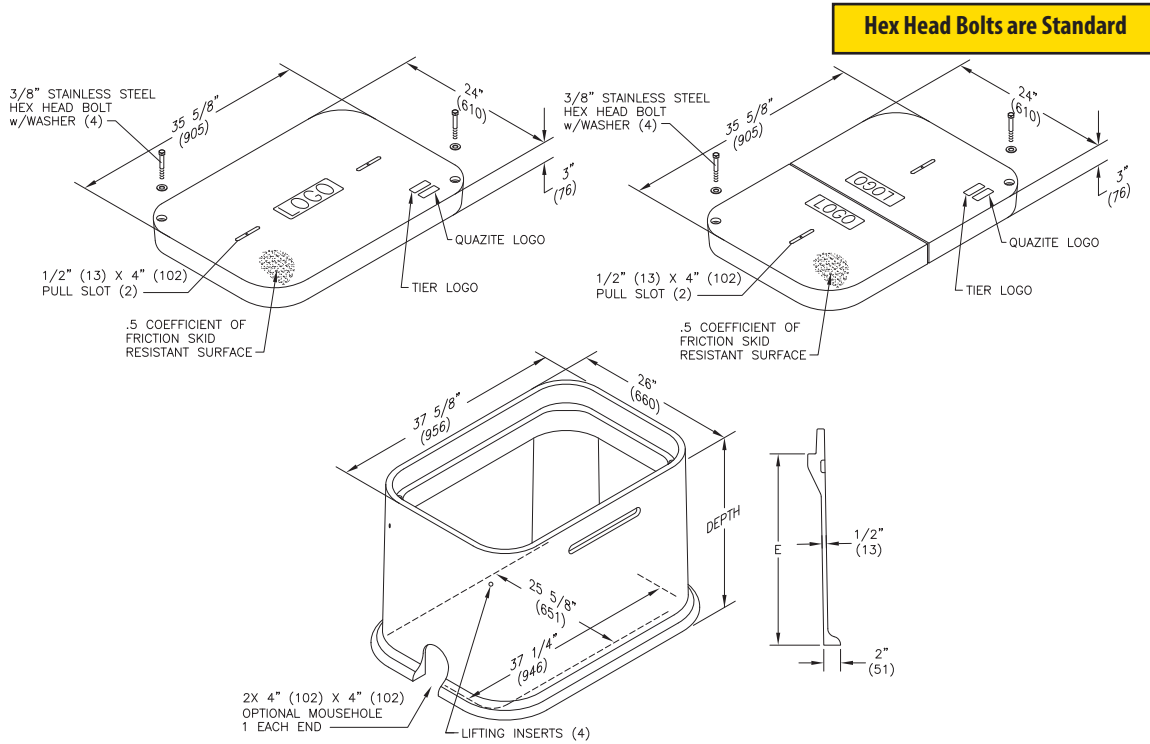
Extensions (open bottom can be used as top or bottom; solid bottom is bottom extension only)

	DESCRIPTION	DEPTH	TIER	DESIGN / TEST LOAD #	WEIGHT #	PALLET QTY	PART NO.
	Open Bottom	8"	22	22,500 / 33,750	71	8	PG2424EA06
	Open Bottom	14"	22	22,500 / 33,750	112	6	PG2424EA12
	Solid Bottom	8 1/2"	22	22,500 / 33,750	96	8	PG2424RA06
	Solid Bottom	14 1/2"	22	22,500 / 33,750	130	6	PG2424RA12

QUAZITE

24" x 36" PD Style Polymer Concrete Assembly

Dimensions / Data



Covers

	DESCRIPTION	TIER	DESIGN / TEST LOAD #	WEIGHT #	PALLET QTY	PART NO.
UL	W/ 2 Bolts	8	8,000 / 12,000	100	10	PG2436CA00**
	2 Piece w/ 2 Bolts	8	8,000 / 12,000	122	10	PG2436CS00**
UL	W/ 2 Bolts	15	15,000 / 22,500	115	10	PG2436HA00**
UL	2 Piece w/ 2 Bolts	15	15,000 / 22,500	122	10	PG2436HS00**
UL	W/ 2 Bolts	22	22,500 / 33,750	122	10	PG2436HH00**
	2 Piece w/ 2 Bolts	22	22,500 / 33,750	202	10	PG2436H544**
UL	No Bolts	8	8,000 / 12,000	100	10	PG2436WA00**

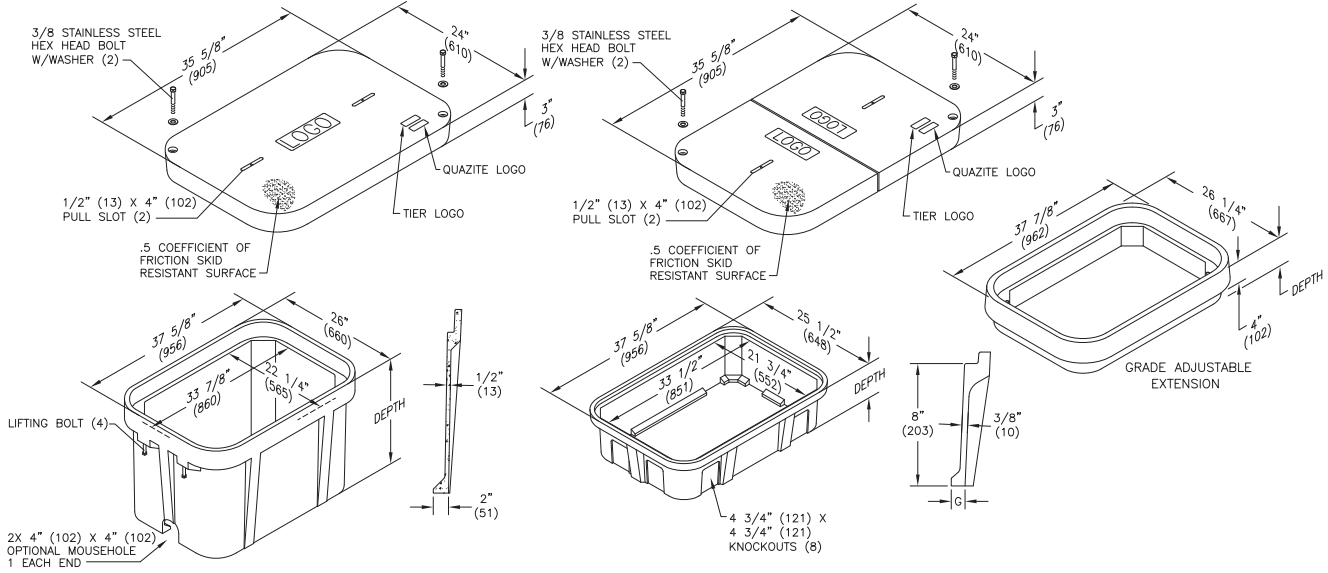
To order gasketed covers, replace the letter "A" with the letter "G".
 Replace ** with a logo code found on page 64. See page 70 for meter and touch/radio read cover options.
 NOTE: Gasketed covers and bolt grommets must be used with a gasketed box. Gaskets reduce the inflow of fluids but do not make the enclosure water tight.

Boxes

	DESCRIPTION	DEPTH	TIER	DESIGN / TEST LOAD #	WEIGHT #	PALLET QTY	PART NO.
UL	Standard Open Bottom	18"	22	22,500 / 33,750	159	2	PD2436BA18
UL		26"	22	22,500 / 33,750	199	2	PD2436BA26
		48"	22	22,500 / 33,750	313	1	PD2436BA48

To order boxes with two standard mouseholes, replace the letter "A" with the letter "B".
 To order gasketed boxes, replace the letter "A" with the letter "G".
 NOTE: Gasketed covers and bolt grommets must be used with a gasketed box. Gaskets reduce the inflow of fluids but do not make the enclosure water tight.

Hex Head Bolts are Standard



Covers

	DESCRIPTION	TIER	DESIGN / TEST LOAD #	WEIGHT #	PALLET QTY	PART NO.
UL	W/ 2 Bolts	8	8,000 / 12,000	100	10	PG2436CA00**
	2 Piece w/ 2 Bolts	8	8,000 / 12,000	122	10	PG2436CS00**
UL	W/ 2 Bolts	15	15,000 / 22,500	115	10	PG2436HA00**
UL	2 Piece w/ 2 Bolts	15	15,000 / 22,500	122	10	PG2436HS00**
UL	W/ 2 Bolts	22	22,500 / 33,750	122	10	PG2436HH00**
	2 Piece w/ 2 Bolts	22	22,500 / 33,750	202	10	PG2436H544**
UL	No Bolts	8	8,000 / 12,000	100	10	PG2436WA00**

To order gasketed covers, replace the letter "A" with the letter "G".

Replace ** with a logo code found on page 64. See page 70 for meter and touch/radio read cover options.

NOTE: Gasketed covers and bolt grommets must be used with a gasketed box. Gaskets reduce the inflow of fluids but do not make the enclosure water tight.

Available with EZ Locate. See page 69 for more information.

24" x 36" PG Style Polymer Concrete (Stackable) Assembly

Dimensions / Data

Hex Head Bolts are Standard

Boxes (box depths 24" thru 42" must be used as bottom of any stack)

	DESCRIPTION	DEPTH	TIER	DESIGN / TEST LOAD #	WEIGHT #	PALLET QTY	PART NO.
 	Standard Open Bottom	18"	22	22,500 / 33,750	141	4	PG2436BA18
		24"		22,500 / 33,750	180	3	PG2436BA24
		30"		22,500 / 33,750	196	2	PG2436BA30
		36"		22,500 / 33,750	254	2	PG2436BA36
		42"		22,500 / 33,750	293	1	PG2436BA42
 	Solid Bottom	18 1/2"	22	22,500 / 33,750	171	4	PG2436DA18
		24 1/2"		22,500 / 33,750	228	3	PG2436DA24
		30 1/2"		22,500 / 33,750	238	2	PG2436DA30
		36 1/2"		22,500 / 33,750	282	2	PG2436DA36
		42 1/2"		22,500 / 33,750	321	1	PG2436DA42

To order boxes with two standard mouseholes, replace the letter "A" with the letter "B".
 To order gasketed boxes, replace the letter "A" with the letter "G".

NOTE: Gasketed covers and bolt grommets must be used with a gasketed box. Gaskets reduce the inflow of fluids but do not make the enclosure water tight.

Bottom Extensions (for use under 18" boxes only, one per box)

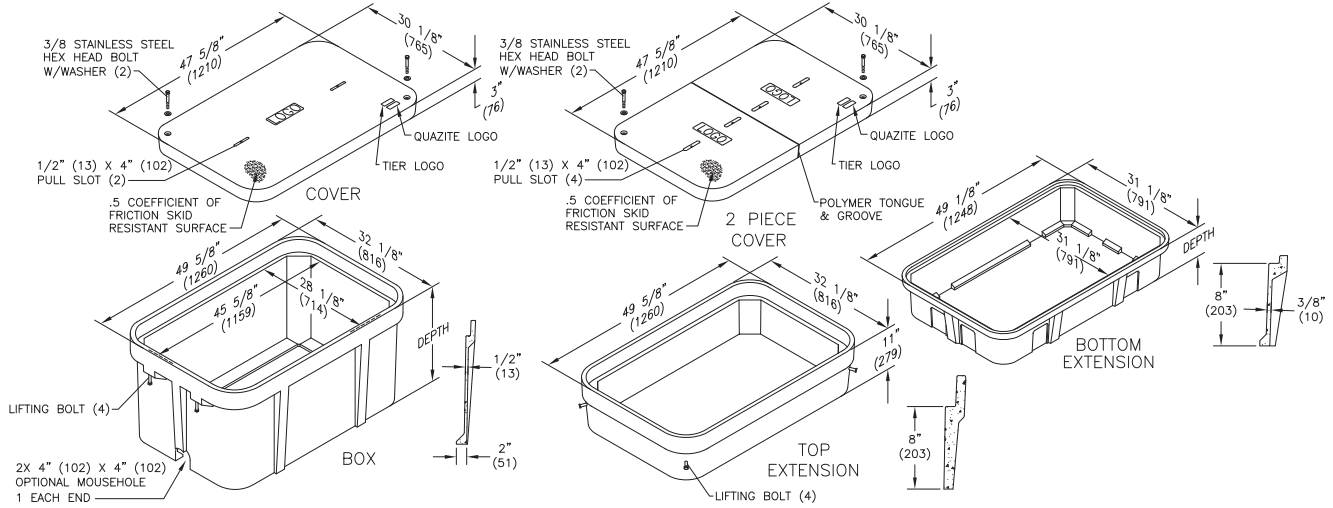
DESCRIPTION	DEPTH	TIER	DESIGN / TEST LOAD #	WEIGHT #	PALLET QTY	PART NO.
Open Bottom	8 3/4"	22	22,500 / 33,750	81	6	PG2436EA08
Solid Bottom	9 1/4"	22	22,500 / 33,750	95	6	PG2436RA08

Grade Adjustable Extension

DESCRIPTION	DEPTH	TIER	DESIGN / TEST LOAD #	WEIGHT #	PALLET QTY	PART NO.
4" Top Extension, 1/2 Thread	7 1/8"	22	22,500 / 33,750	80	6	PG2436ED04
4" Top Extension, 3/8 Thread	7 1/8"	22	22,500 / 33,750	80	6	PG2436E503

QUAZITE

Hex Head Bolts are Standard



QUAZITE

Covers

	DESCRIPTION	TIER	DESIGN / TEST LOAD #	WEIGHT #	PALLET QTY	PART NO.
UL	W/ 2 Bolts	8	8,000 / 12,000	159	10	PG3048CA00**
	2 Piece w/ 2 Bolts	8	8,000 / 12,000	181	10	PG3048CS00**
UL	W/ 2 Bolts	15	15,000 / 22,500	206	10	PG3048HA00**
UL	2 Piece w/ 2 Bolts	15	15,000 / 22,500	206	10	PG3048HS00**
UL	W/ 2 Bolts	22	22,500 / 33,750	220	10	PG3048HH00**
	2 Piece w/ 2 Bolts	22	22,500 / 33,750	202	10	PG3048H510**
UL	No Bolts	8	8,000 / 12,000	159	10	PG3048WA00**

To order gasketed covers, replace the letter "A" with the letter "G".

Replace ** with a logo code found on page 64. See page 70 for meter and touch/radio read cover options.

NOTE: Gasketed covers and bolt grommets must be used with a gasketed box. Gaskets reduce the inflow of fluids but do not make the enclosure water tight.

Available with EZ Locate. See page 69 for more information.

30" x 48" PG Style Polymer Concrete (Stackable) Assembly

Dimensions / Data

Hex Head Bolts are Standard

Boxes (box depths 24" thru 48" must be used as bottom of any stack)

	DESCRIPTION	DEPTH	TIER	DESIGN / TEST LOAD #	WEIGHT #	PALLET QTY	PART NO.
UL	Standard Open Bottom	18"	22	22,500 / 33,750	185	4	PG3048BA18
		24"		22,500 / 33,750	236	3	PG3048BA24
		36"		22,500 / 33,750	343	2	PG3048BA36
		48"		22,500 / 33,750	450	1	PG3048BA48
UL	Solid Bottom	18 1/2"	22	22,500 / 33,750	220	4	PG3048DA18
		24 1/2"		22,500 / 33,750	287	3	PG3048DA24
		36 1/2"		22,500 / 33,750	394	2	PG3048DA36
		48"		22,500 / 33,750	501	1	PG3048DA48

To order boxes with two standard mouseholes, replace the letter "A" with the letter "B".

To order gasketed boxes, replace the letter "A" with the letter "G".

NOTE: Gasketed covers and bolt grommets must be used with a gasketed box. Gaskets reduce the inflow of fluids but do not make the enclosure water tight.

Top Extension

DESCRIPTION	DEPTH	TIER	DESIGN / TEST LOAD #	WEIGHT #	PALLET QTY	PART NO.
Open Bottom	11"	22	22,500 / 33,750	100	8	PG3048EA11

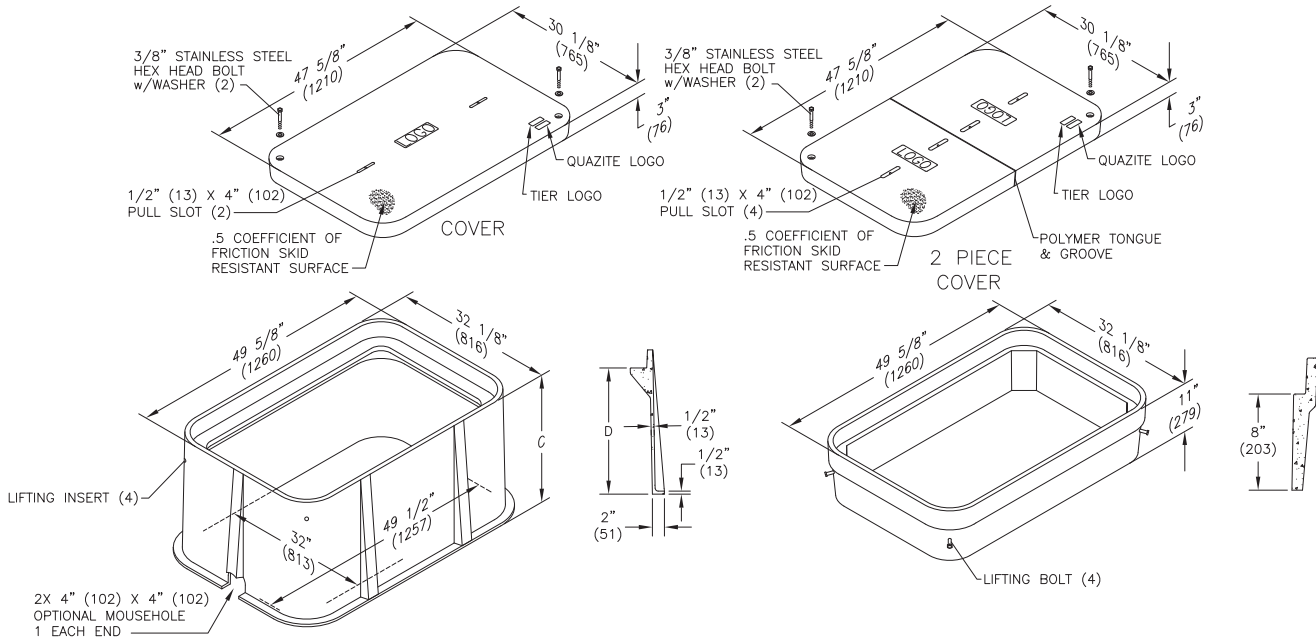
Bottom Extensions (for use under 18" box only, one per box)

DESCRIPTION	DEPTH	TIER	DESIGN / TEST LOAD #	WEIGHT #	PALLET QTY	PART NO.
Open Bottom	8 3/4"	22	22,500 / 33,750	102	8	PG3048EA08
Solid Bottom	9 1/4"	22	22,500 / 33,750	151	8	PG3048RA08

30" x 48" PD Style Polymer Concrete (Nestable) Assembly

Dimensions / Data

Hex Head Bolts are Standard



Covers

	DESCRIPTION	TIER	DESIGN / TEST LOAD #	WEIGHT #	PALLET QTY	PART NO.
UL	W/ 2 Bolts	8	8,000 / 12,000	159	10	PG3048CA00**
	2 Piece w/ 2 Bolts	8	8,000 / 12,000	181	10	PG3048CS00**
UL	W/ 2 Bolts	15	15,000 / 22,500	206	10	PG3048HA00**
UL	2 Piece w/ 2 Bolts	15	15,000 / 22,500	206	10	PG3048HS00**
UL	W/ 2 Bolts	22	22,500 / 33,750	220	10	PG3048HH00**
	2 Piece w/ 2 Bolts	22	22,500 / 33,750	202	10	PG3048H510**
UL	No Bolts	8	8,000 / 12,000	159	10	PG3048WA00**

To order gasketed covers, replace the letter "A" with the letter "G".
 Replace ** with a logo code found on page 64. See page 70 for meter and touch/radio read cover options.
 NOTE: Gasketed covers and bolt grommets must be used with a gasketed box. Gaskets reduce the inflow of fluids but do not make the enclosure water tight.

Boxes

	DESCRIPTION	DEPTH	TIER	DESIGN / TEST LOAD #	WEIGHT #	PALLET QTY	PART NO.
UL	Standard Open Bottom	24"	22	22,500 / 33,750	286	2	PD3048BA24
UL		48"	22	22,500 / 33,750	614	1	PD3048BA48

Top Extension

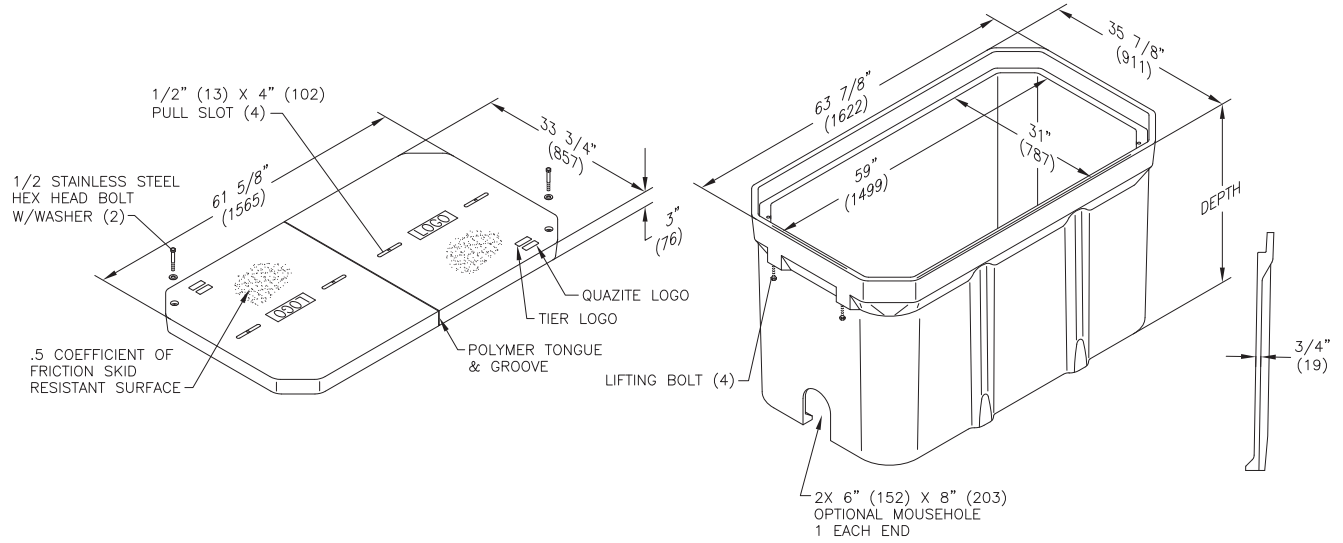
	DESCRIPTION	DEPTH	TIER	DESIGN / TEST LOAD #	WEIGHT #	PALLET QTY	PART NO.
	Open Bottom	11"	22	22,500 / 33,750	100	8	PG3048EA11

QUAZITE

30" x 60" PG Style Polymer Concrete (Stackable) Assembly

Dimensions / Data

Hex Head Bolts are Standard



Covers

DESCRIPTION	TIER	DESIGN / TEST LOAD #	WEIGHT #	PALLET QTY	PART NO.
Lightweight 2 Bolts	5	5,000 / 7,500	228	10	LG3060CA00**
W/ 2 Bolts	15	15,000 / 22,500	346	10	PG3060HA00**
W/ 2 Bolts	22	22,500 / 33,750	368	10	PG3060HH00**
Lightweight No Bolts	5	5,000 / 7,500	228	10	LG3060WA00**

Replace ** with a logo code found on page 64. See page 70 for meter and touch/radio read cover options.

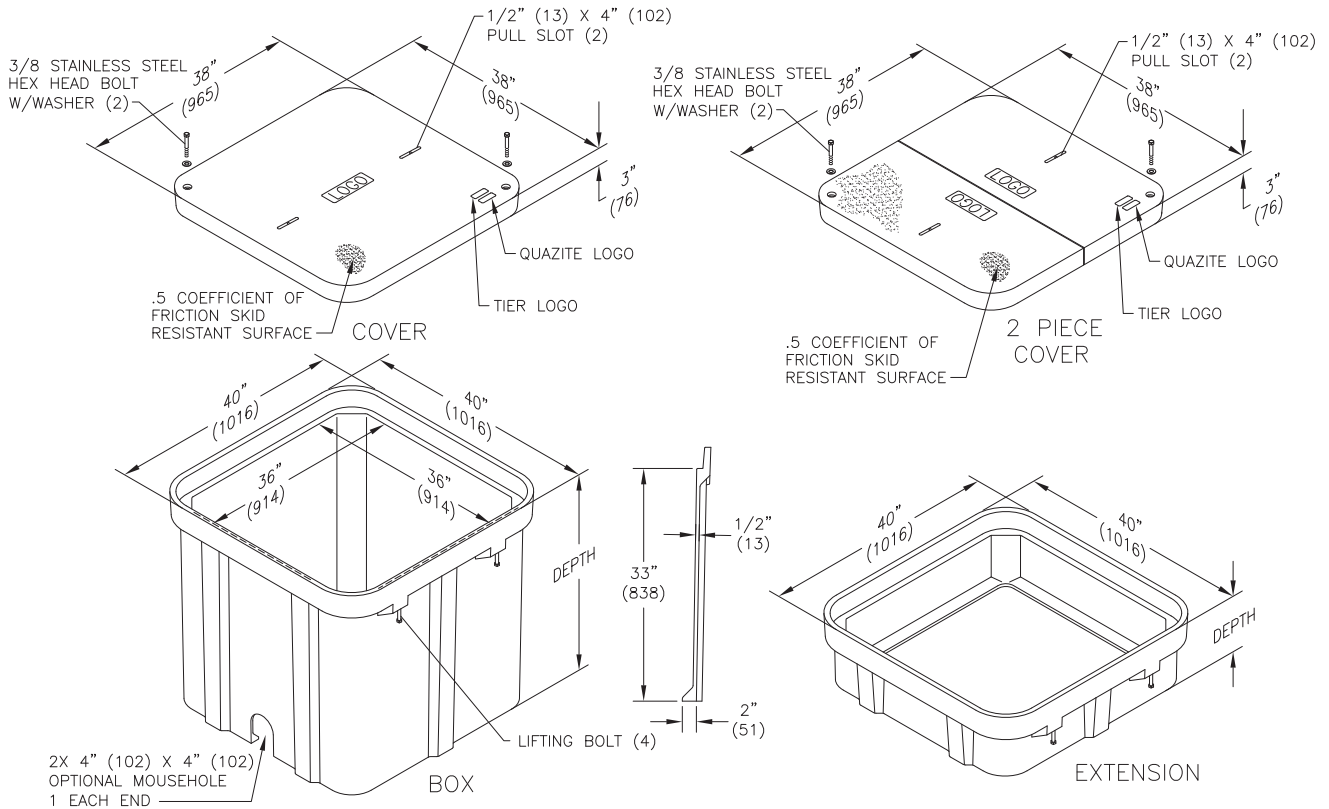
Boxes (box depths 30" and 36" must be used as bottom of any stack)

DESCRIPTION	DEPTH	TIER	DESIGN / TEST LOAD #	WEIGHT #	PALLET QTY	PART NO.
Standard Open Bottom	21"	22	22,500 / 33,750	350	4	PG3060BA21
	30"		22,500 / 33,750	492	3	PG3060BA30
	36"		22,500 / 33,750	565	2	PG3060BA36
Solid Bottom	21 1/2"	22	22,500 / 33,750	420	4	PG3060DA21
	30 1/2"		22,500 / 33,750	532	3	PG3060DA30
	36 1/2"		22,500 / 33,750	601	2	PG3060DA36

To order boxes with two standard mouseholes, replace the letter "A" with the letter "B".

QUAZITE

Hex Head Bolts are Standard



Covers

DESCRIPTION	TIER	DESIGN / TEST LOAD #	WEIGHT #	PALLET QTY	PART NO.
UL W/ 2 Bolts	8	8,000 / 12,000	174	10	PG3636CA00**
2 Piece w/ 2 Bolts	8	8,000 / 12,000	220	10	PG3636CS00**
UL W/ 2 Bolts	15	15,000 / 22,500	220	10	PG3636HA00**
UL 2 Piece w/ 2 Bolts	15	15,000 / 22,500	220	10	PG3636HS00**
UL W/ 2 Bolts	22	22,500 / 33,750	330	10	PG3636HH00**
2 Piece w/ 2 Bolts	22	22,500 / 33,750	202	10	PG3636H517**
UL No Bolts	8	8,000 / 12,000	174	10	PG3636WA00**

To order gasketed covers, replace the letter "A" with the letter "G".
 Replace ** with a logo code found on page 64. See page 70 for meter and touch/radio read cover options.
 NOTE: Gasketed covers and bolt grommets must be used with a gasketed box. Gaskets reduce the inflow of fluids but do not make the enclosure water tight.

QUAZITE

36" x 36" PG Style Polymer Concrete (Stackable) Assembly

Dimensions / Data

Hex Head Bolts are Standard

Boxes

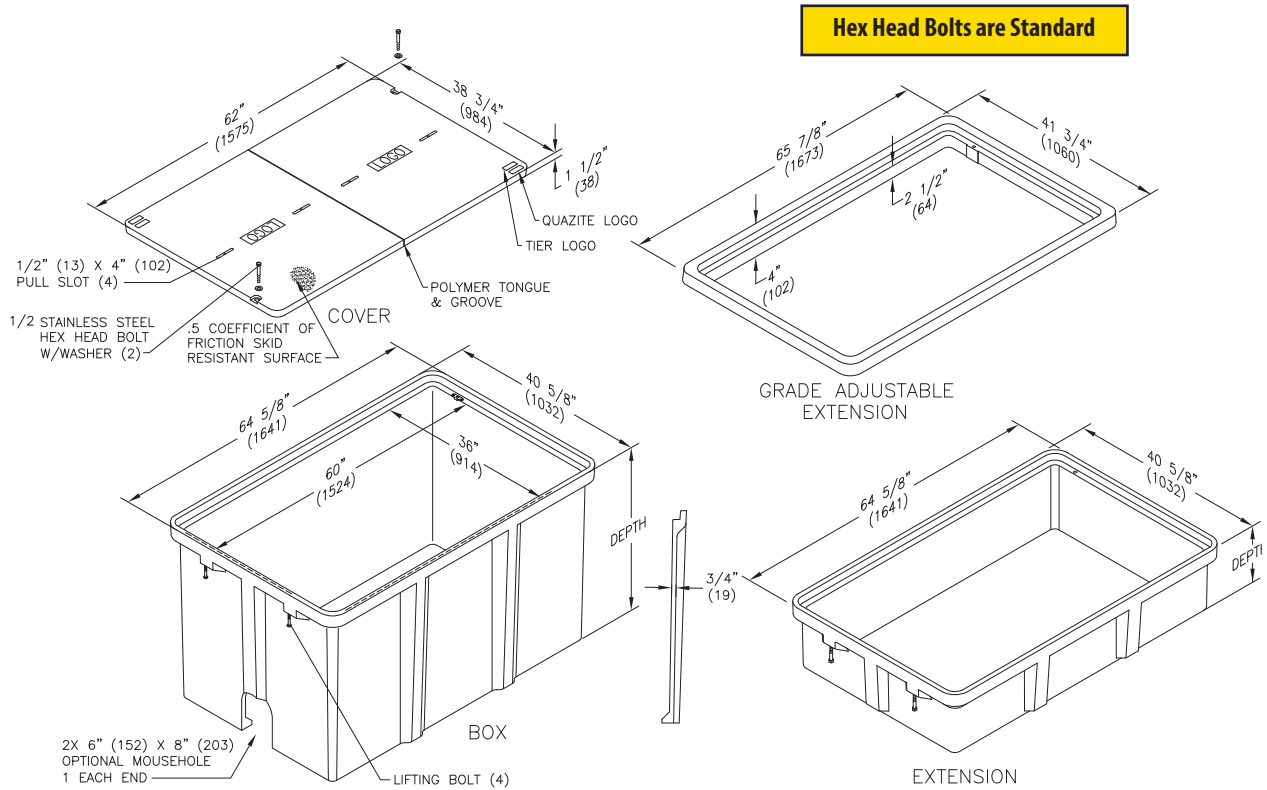
	DESCRIPTION	DEPTH	TIER	DESIGN / TEST LOAD #	WEIGHT #	PALLET QTY	PART NO.
UL	Standard Open Bottom	36"	22	22,500 / 33,750	367	2	PG3636BA36
UL	Solid Bottom	36 1/2"		22,500 / 33,750	407	2	PG3636DA36

To order boxes with two standard mouseholes, replace the letter "A" with the letter "B".
 To order gasketed boxes, replace the letter "A" with the letter "G".
 NOTE: Gasketed covers and bolt grommets must be used with a gasketed box. Gaskets reduce the inflow of fluids but do not make the enclosure water tight.

Top Extensions

	DESCRIPTION	DEPTH	TIER	DESIGN / TEST LOAD #	WEIGHT #	PALLET QTY	PART NO.
	Open Bottom	12"	22	22,500 / 33,750	129	6	PG3636EA12

QUAZITE



Covers

DESCRIPTION	TIER	DESIGN / TEST LOAD #	WEIGHT #	PALLET QTY	PART NO.
Lightweight 2 Bolts	5	5,000 / 7,500	222	10	LG3660CA00**
W/ 2 Bolts	15	15,000 / 22,500	384	10	PG3660HA00**
W/ 2 Bolts	22	22,500 / 33,750	470	10	PG3660HH00**
Lightweight No Bolts	5	5,000 / 7,500	222	10	LG3660WA00**

Replace ** with a logo code found on page 64. See page 70 for meter and touch/radio read cover options.

Boxes (box depths 31" and 36" must be used as bottom of any stack)

DESCRIPTION	DEPTH	TIER	DESIGN / TEST LOAD #	WEIGHT #	PALLET QTY	PART NO.
Standard Open Bottom	19"	22	22,500 / 33,750	381	4	PG3660BA19
	24"		22,500 / 33,750	397	3	PG3660BA24
	31"		22,500 / 33,750	481	2	PG3660BA31
	36"		22,500 / 33,750	647	2	PG3660BA36
Solid Bottom	19 1/2"	22	22,500 / 33,750	479	4	PG3660DA19
	24 1/2"		22,500 / 33,750	495	3	PG3660DA24
	31 1/2"		22,500 / 33,750	590	2	PG3660DA31
	36 1/2"		22,500 / 33,750	738	2	PG3660DA36

To order boxes with two standard mouseholes, replace the letter "A" with the letter "B".

36" x 60" PG Style Polymer Concrete (Stackable) Assembly

Dimensions / Data

Grade Adjustable Extension

DESCRIPTION	DEPTH	TIER	DESIGN / TEST LOAD #	WEIGHT #	PALLET QTY	PART NO.
Top Extension	2 1/2"	22	22,500 / 33,750	116	6	PG3660ED03

Top Extension

DESCRIPTION	DEPTH	TIER	DESIGN / TEST LOAD #	WEIGHT #	PALLET QTY	PART NO.
Open Bottom	11 1/2"	22	22,500 / 33,750	200	6	PG3660EA12

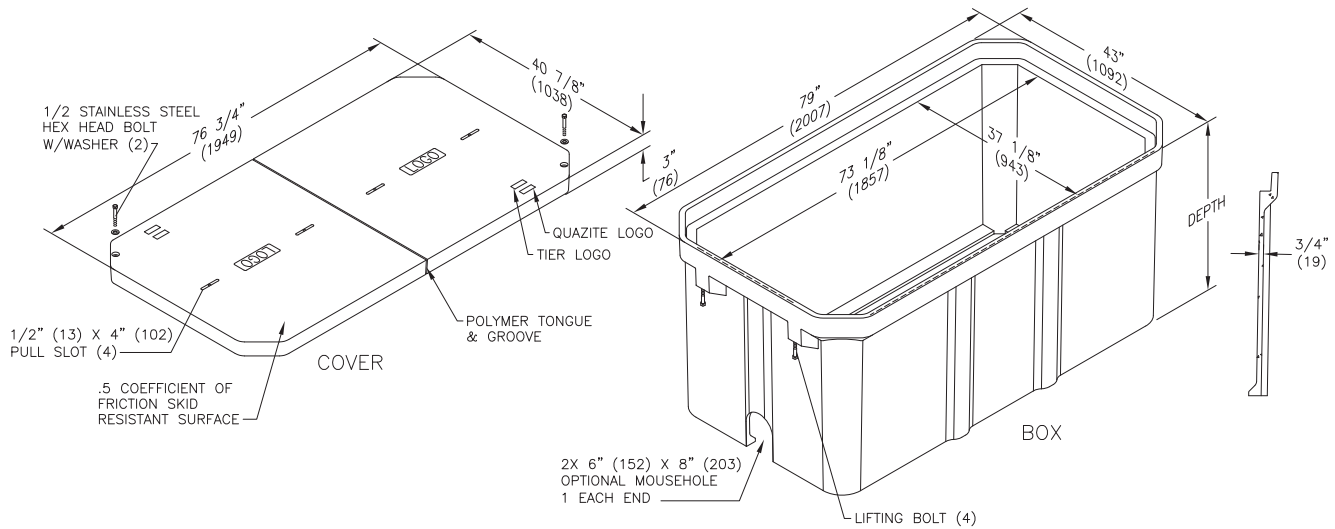


QUAZITE

36" x 72" PG Style Polymer Concrete (Stackable) Assembly

Dimensions / Data

Hex Head Bolts are Standard



Covers

DESCRIPTION	TIER	DESIGN / TEST LOAD #	WEIGHT #	PALLET QTY	PART NO.
Lightweight 2 Bolts	5	5,000 / 7,500	310	10	LG3672CA00**
W/ 2 Bolts	15	15,000 / 22,500	488	10	PG3672HA00**
W/ 2 Bolts	22	22,500 / 33,750	544	10	PG3672HH00**
Lightweight No Bolts	5	5,000 / 7,500	310	10	LG3672WA00**

Replace ** with a logo code found on page 64. See page 70 for meter and touch/radio read cover options.

Boxes (box depth 36" must be used as bottom of any stack)

DESCRIPTION	DEPTH	TIER	DESIGN / TEST LOAD #	WEIGHT #	PALLET QTY	PART NO.
Standard Open Bottom	21"	22	22,500 / 33,750	448	3	PG3672BA21
	36"		22,500 / 33,750	768	2	PG3672BA36
Solid Bottom	21 1/2"	22	22,500 / 33,750	569	3	PG3672DA21
	36 1/2"		22,500 / 33,750	822	2	PG3672DA36

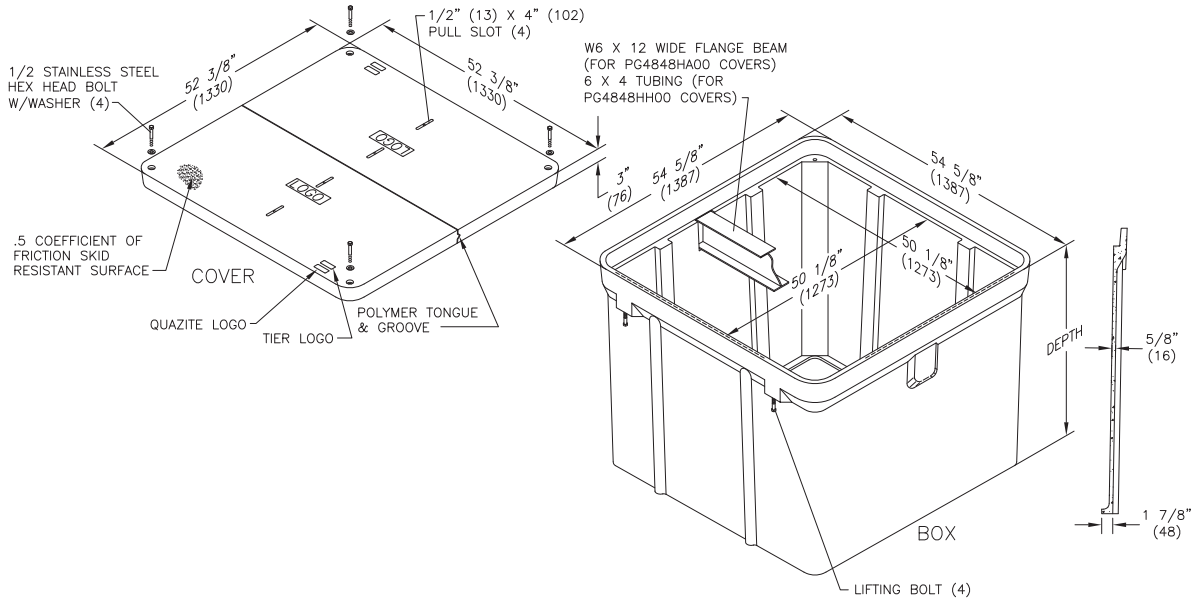
To order boxes with two standard mouseholes, replace the letter "A" with the letter "B".

QUAZITE

48" x 48" PG Style Polymer Concrete (Stackable) Assembly

Dimensions / Data

Hex Head Bolts are Standard



Covers

DESCRIPTION	TIER	DESIGN / TEST LOAD #	WEIGHT #	PALLET QTY	PART NO.
Lightweight 4 Bolts	5	5,000 / 7,500	286	10	LG4848CA00**
W/ 4 Bolts	15	15,000 / 22,500	364	10	PG4848HA00**
W/ 4 Bolts	22	22,500 / 33,750	596	10	PG4848HH00**
Lightweight No Bolts	5	5,000 / 7,500	286	10	LG4848WA00**

Replace ** with a logo code found on page 64. See page 70 for meter and touch/radio read cover options. Available with EZ Locate. See page 69 for more information.

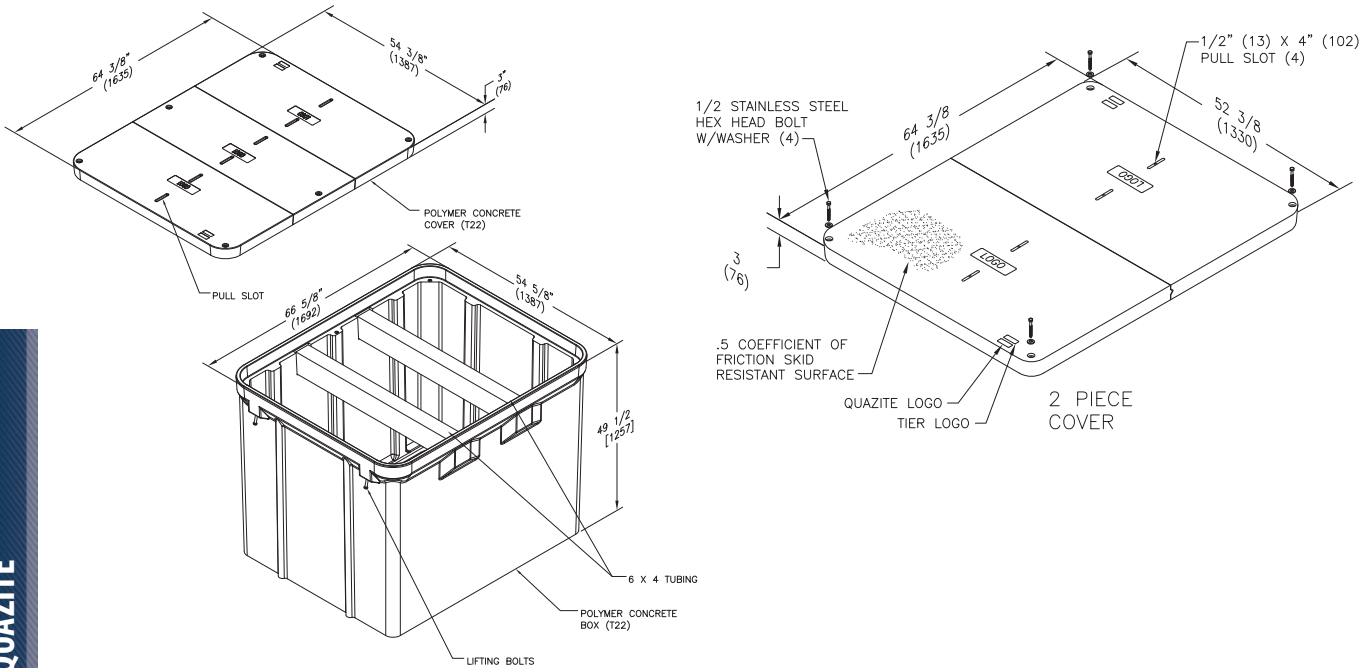
Boxes

DESCRIPTION	DEPTH	TIER	DESIGN / TEST LOAD #	WEIGHT #	PALLET QTY	PART NO.
Standard Open Bottom	36"	22	22,500 / 33,750	629	2	PG4848BA36
	48"		22,500 / 33,750	866	2	PG4848BA48
Solid Bottom	36 1/2"	22	22,500 / 33,750	663	2	PG4848DA36
	48 1/2"		22,500 / 33,750	940	2	PG4848DA48

To order boxes with two standard mouseholes, replace the letter "A" with the letter "B".

QUAZITE

Hex Head Bolts are Standard



QUAZITE

Assemblies

DESCRIPTION	DEPTH	TIER	DESIGN LOAD#	WEIGHT #	PALLET QTY	PART NUMBER
Standard 2-Piece Polymer Concrete Cover and Open Bottom Box	48"	22	22,500 / 33,750	1,460	1	PG4860Z502
Standard 3-Piece Polymer Concrete Cover and Open Bottom Box	48"	22	22,500 / 33,750	1,460	1	PG4860Z500

Covers

DESCRIPTION	DEPTH	TIER	DESIGN LOAD#	WEIGHT #	PALLET QTY	PART NUMBER
Two Piece Cover w/ 6 Bolts	3"	22	22,500 / 33,750	507	2	PG4860H504***
Three Piece Cover w/ 6 Bolts	3"	22	22,500 / 33,750	507	2	PG4860HH00***

Replace ** with a logo code found on page 64.

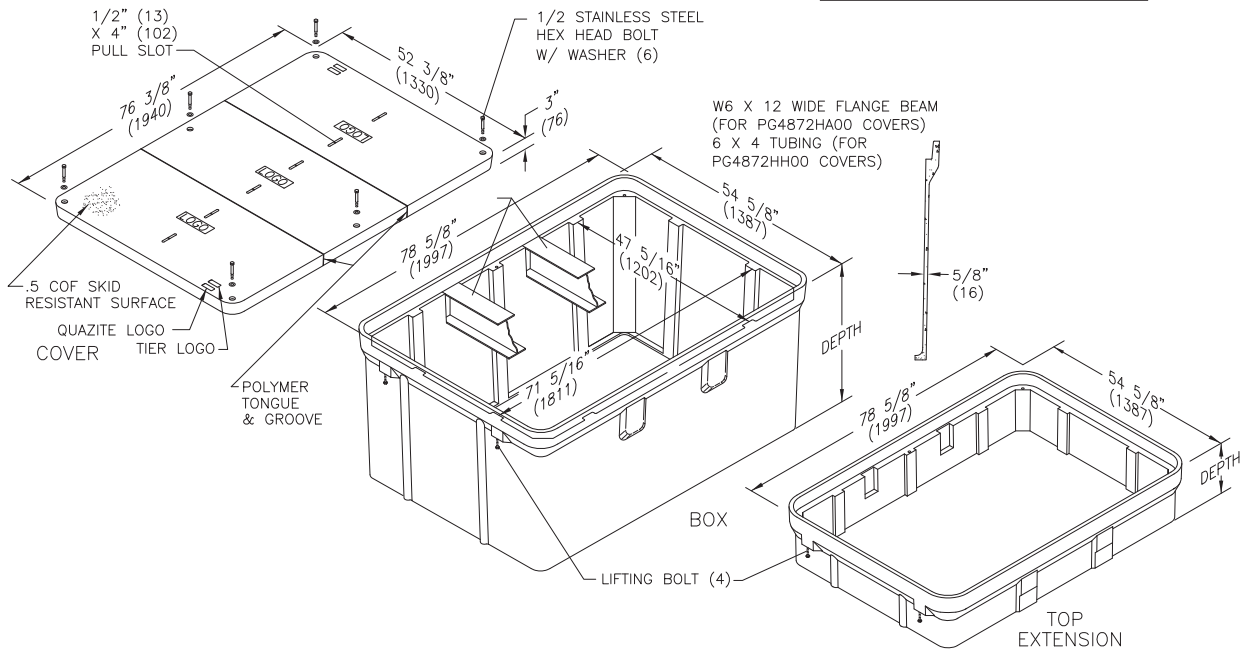
Boxes

DESCRIPTION	DEPTH	TIER	DESIGN / TEST LOAD #	WEIGHT #	PALLET QTY	PART NO.
Standard Open Bottom	48"	22	22,500 / 33,750	953	1	PG4860BA48

48" x 72" PG Style Polymer Concrete (Stackable) Assembly

Dimensions / Data

Hex Head Bolts are Standard



Covers

DESCRIPTION	TIER	DESIGN / TEST LOAD #	WEIGHT #	PALLET QTY	PART NO.
Lightweight 6 Bolts	5	5,000 / 7,500	447	2	LG4872CA00**
W/ 6 Bolts	15	15,000 / 22,500	573	2	PG4872HA00**
W/ 6 Bolts	22	22,500 / 33,750	891	2	PG4872HH00**
Lightweight No Bolts	5	5,000 / 7,500	447	2	LG4872WA00**

Replace ** with a logo code found on page 64. See page 70 for meter and touch/radio read cover options.

Boxes

DESCRIPTION	DEPTH	TIER	DESIGN / TEST LOAD #	WEIGHT #	PALLET QTY	PART NO.
Standard Open Bottom	36"	22	22,500 / 33,750	810	2	PG4872BA36
	48"		22,500 / 33,750	1,050	1	PG4872BA48
Solid Bottom	36 1/2"	22	22,500 / 33,750	1,065	2	PG4872DA36
	48 1/2"		22,500 / 33,750	1,245	1	PG4872DA48

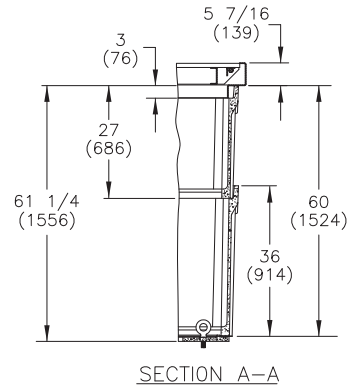
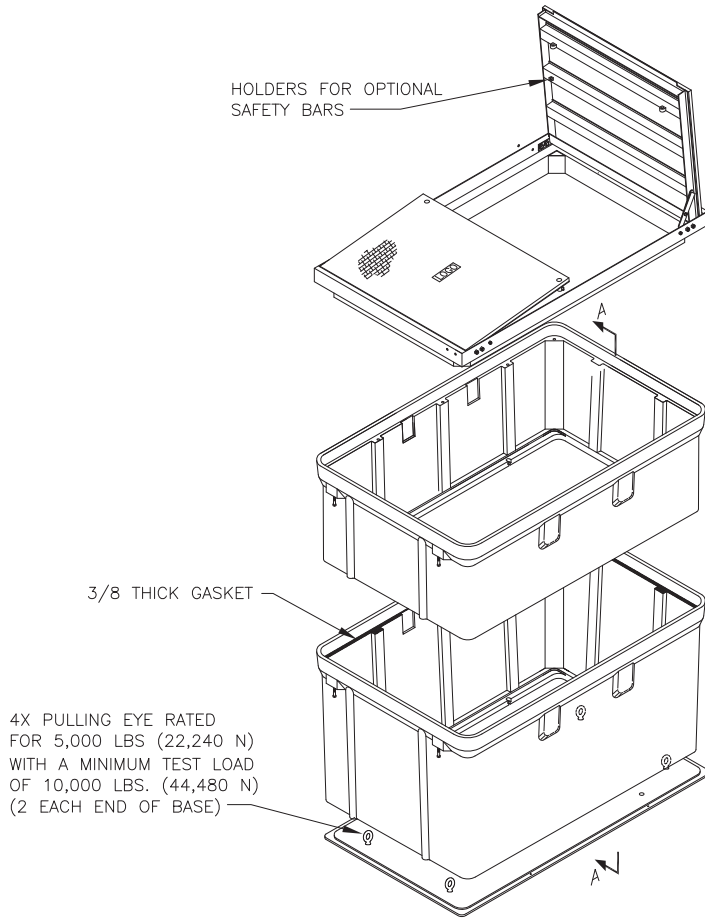
To order boxes with two standard mouseholes, replace the letter "A" with the letter "B".

Top Extension

DESCRIPTION	DEPTH	TIER	DESIGN / TEST LOAD #	WEIGHT #	PALLET QTY	PART NO.
Open Bottom, No Beam Provided	15"	22	22,500 / 33,750	359	5	PG4872EA12

QUAZITE

Hex Head Bolts are Standard



QUAZITE

Covers

DESCRIPTION	TIER	DESIGN / TEST LOAD #	WEIGHT #	PALLET QTY	PART NO.
Torsion	N/A	12,000 / 24,000	622	10	PG4878CTG0**

Replace ** with a logo code found on page 64.

Boxes (box depth 36" must be used as bottom of any stack)

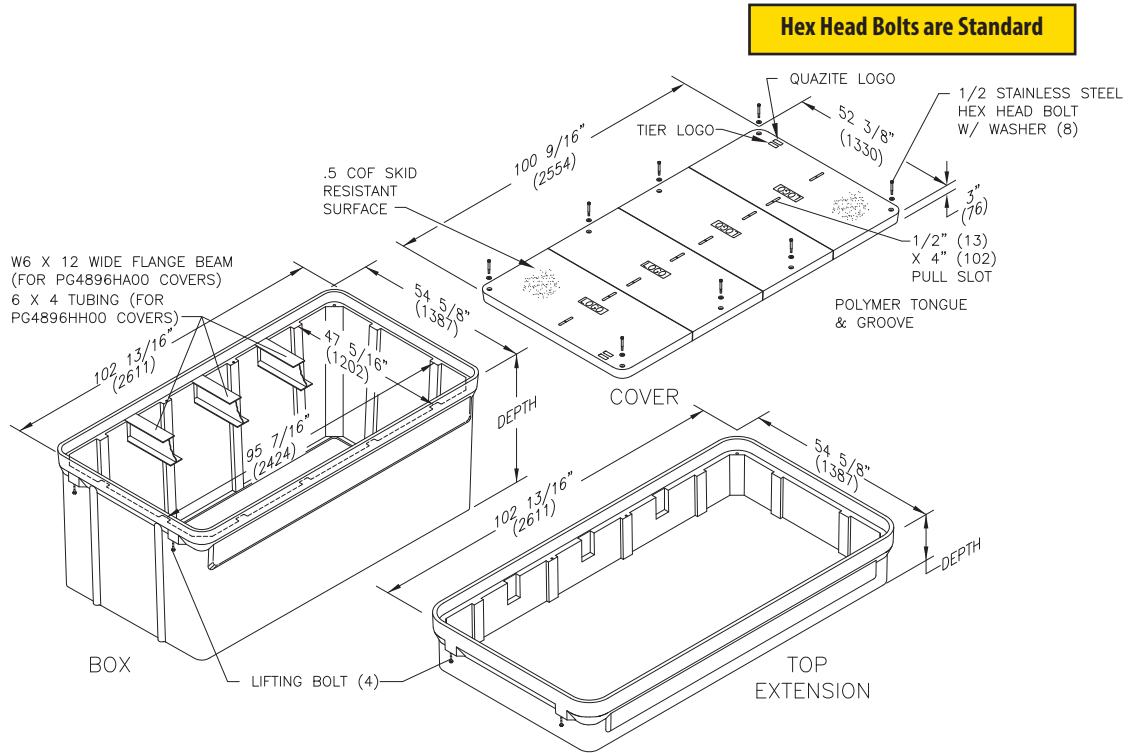
DESCRIPTION	DEPTH	TIER	DESIGN / TEST LOAD #	WEIGHT #	PALLET QTY	PART NO.
Standard Open Bottom	27"	22	22,500 / 33,750	867	1	PG4878BA27
	36"	22	22,500 / 33,750	707	1	PG4878BG36

Base

DESCRIPTION	WEIGHT #	PART NO.
Bottom w/ Pulling Eyes and Ground Holes	555	PG4878D500

48" x 96" PG Style Polymer Concrete (Stackable) Assembly

Dimensions / Data



Covers

DESCRIPTION	TIER	DESIGN / TEST LOAD #	WEIGHT #	PALLET QTY	PART NO.
Lightweight 8 Bolts	5	5,000 / 7,500	608	2	LG4896CA00**
W/ 8 Bolts	15	15,000 / 22,500	794	2	PG4896HA00**
W/ 8 Bolts	22	22,500 / 33,750	1,186	2	PG4896HH00**
Lightweight No Bolts	5	5,000 / 7,500	608	2	LG4896WA00**

Replace ** with a logo code found on page 64. See page 70 for meter and touch/radio read cover options.

Boxes

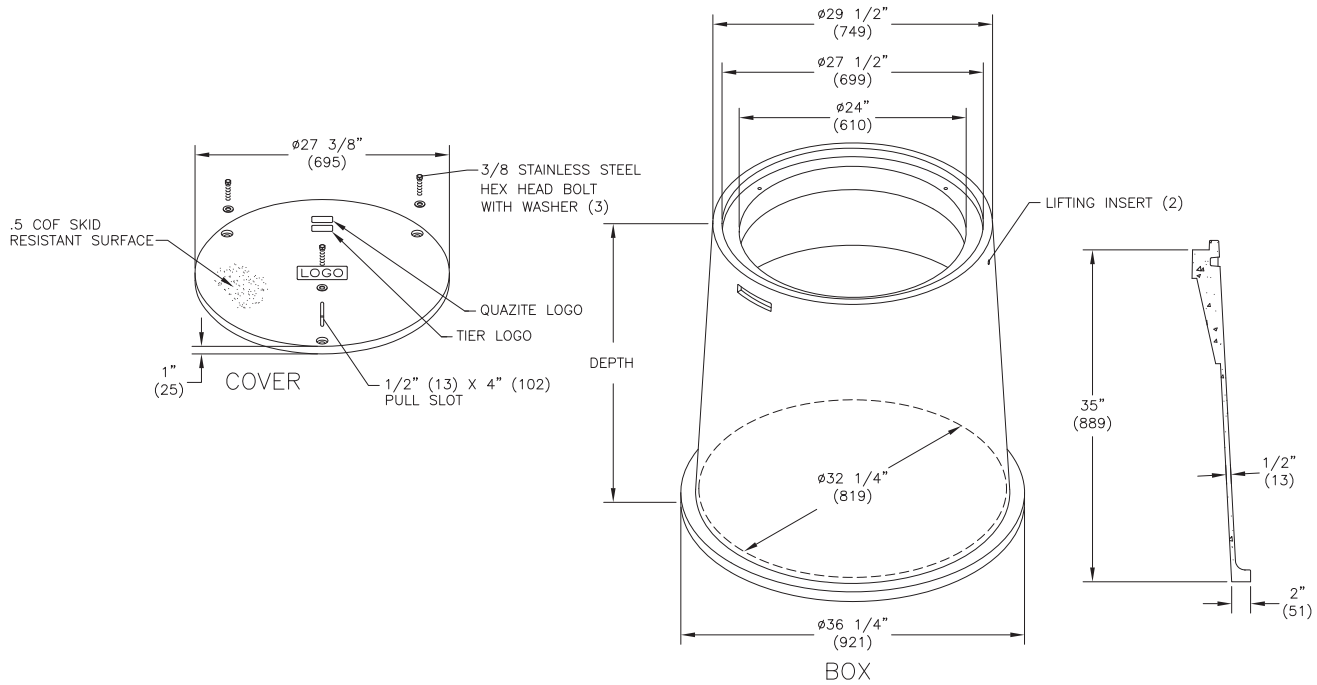
DESCRIPTION	DEPTH	TIER	DESIGN / TEST LOAD #	WEIGHT #	PALLET QTY	PART NO.
Standard Open Bottom	48"	22	22,500 / 33,750	1,384	1	PG4896BA48
Solid Bottom	48 1/2"	22	22,500 / 33,750	1,537	1	PG4896DA48

To order boxes with two standard mouseholes, replace the letter "A" with the letter "B".

Top Extension

DESCRIPTION	DEPTH	TIER	DESIGN / TEST LOAD #	WEIGHT #	PALLET QTY	PART NO.
Open Bottom, No Beam Provided	15"	22	22,500 / 33,750	485	5	PG4896EA12

Hex Head Bolts are Standard



Covers

	DESCRIPTION	TIER	DESIGN / TEST LOAD #	WEIGHT #	PALLET QTY	PART NO.
UL	W/ 3 Bolts	8	8,000 / 12,000	53	10	PR2700CA00**
	W/ 3 Bolts	15	15,000 / 22,500	75	10	PR2700HA00**
	W/ 3 Bolts	22	22,500 / 33,750	75	10	PR2700HH00**

To order gasketed covers, replace the letter "A" with the letter "G".

Replace ** with a logo code found on page 64.

NOTE: Gasketed covers and bolt grommets must be used with a gasketed box. Gaskets reduce the inflow of fluids but do not make the enclosure water tight.

Boxes

	DESCRIPTION	DEPTH	TIER	DESIGN / TEST LOAD #	WEIGHT #	PALLET QTY	PART NO.
UL	Standard Open Bottom	36"	22	22,500 / 33,750	278	3	PR2732BA36

To order gasketed boxes, replace the letter "A" with the letter "G".

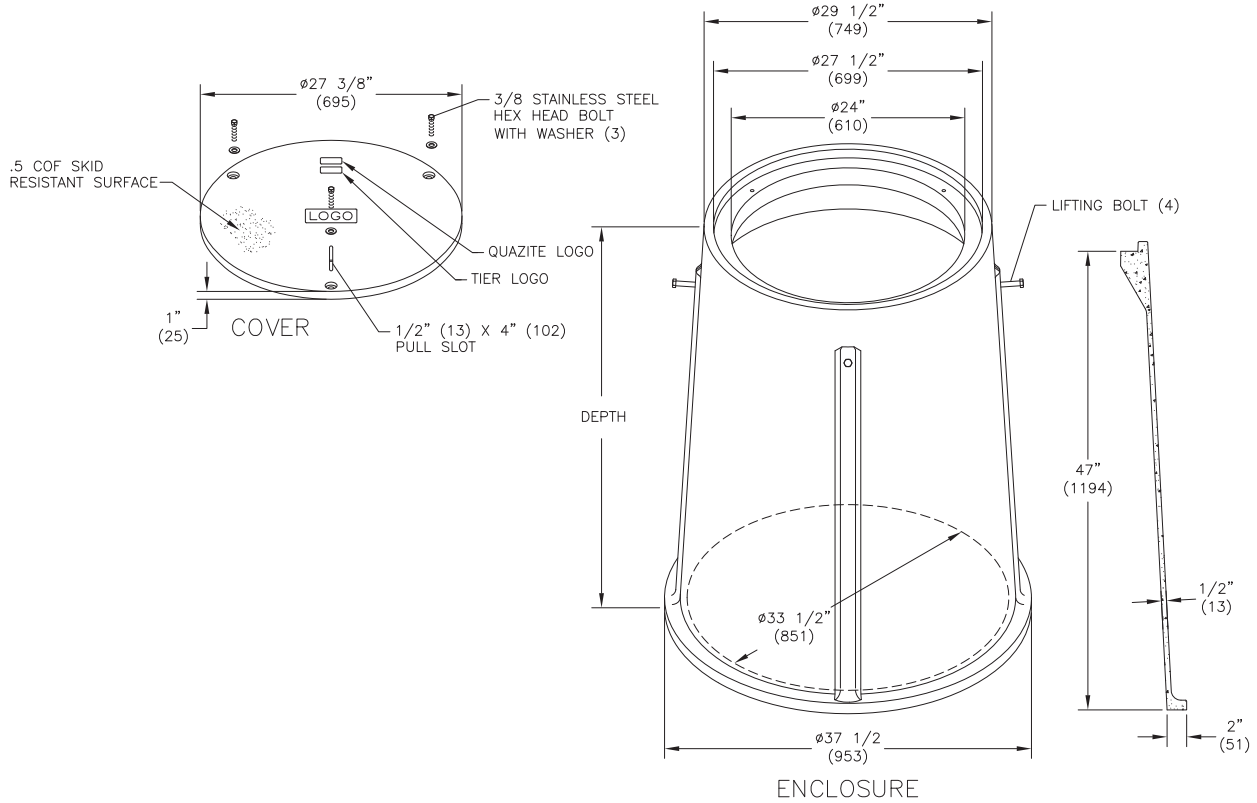
NOTE: Gasketed covers and bolt grommets must be used with a gasketed box. Gaskets reduce the inflow of fluids but do not make the enclosure water tight.

QUAZITE

27" Round Style Polymer Concrete Assembly

Dimensions / Data

Hex Head Bolts are Standard



QUAZITE

Covers

	DESCRIPTION	TIER	DESIGN / TEST LOAD #	WEIGHT #	PALLET QTY	PART NO.
UL	W/ 3 Bolts	8	8,000 / 12,000	53	10	PR2700CA00**
	W/ 3 Bolts	15	15,000 / 22,500	75	10	PR2700HA00**
	W/ 3 Bolts	22	22,500 / 33,750	75	10	PR2700HH00**

To order gasketed covers, replace the letter "A" with the letter "G".

Replace ** with a logo code found on page 64.

NOTE: Gasketed covers and bolt grommets must be used with a gasketed box. Gaskets reduce the inflow of fluids but do not make the enclosure water tight.

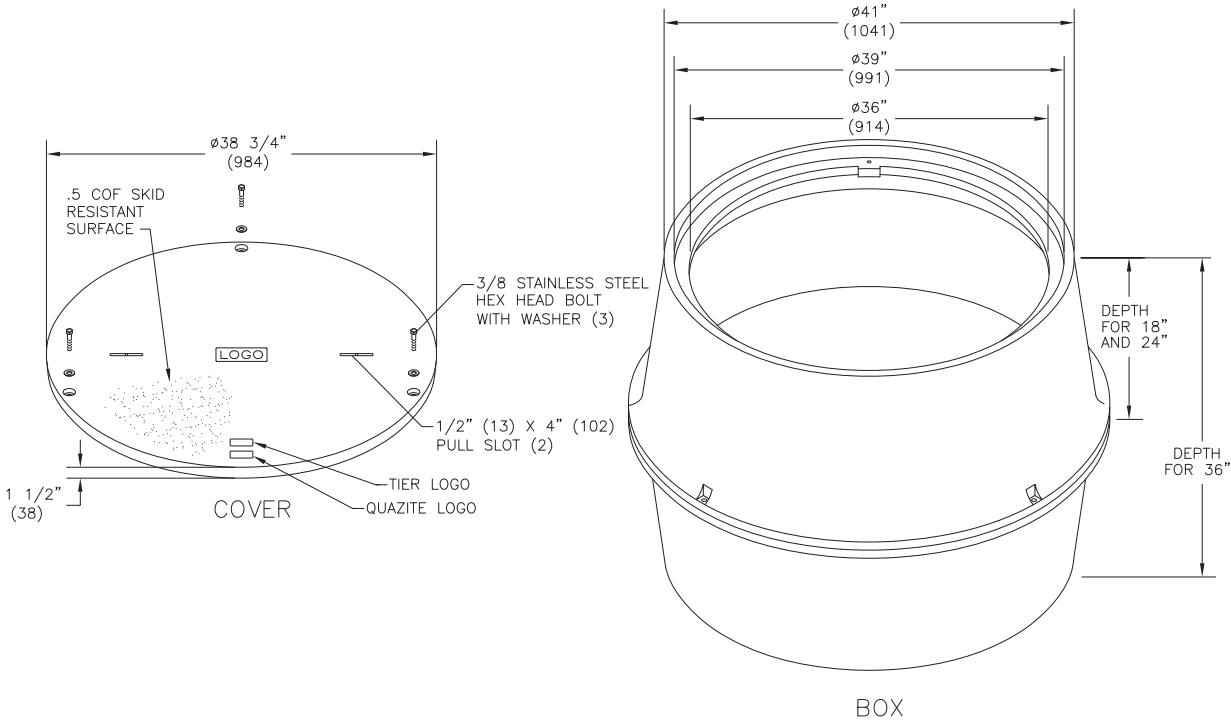
Boxes

	DESCRIPTION	DEPTH	TIER	DESIGN / TEST LOAD #	WEIGHT #	PALLET QTY	PART NO.
UL	Standard Open Bottom	48"	22	22,500 / 33,750	283	2	PR2733BA48

To order gasketed boxes, replace the letter "A" with the letter "G".

NOTE: Gasketed covers and bolt grommets must be used with a gasketed box. Gaskets reduce the inflow of fluids but do not make the enclosure water tight.

Hex Head Bolts are Standard



Covers

	DESCRIPTION	TIER	DESIGN / TEST LOAD #	WEIGHT #	PALLET QTY	PART NO.
UL	W/ 3 Bolts	8	8,000 / 12,000	141	10	PR3900CA00**
UL	W/ 3 Bolts	15	15,000 / 22,500	180	10	PR3900HA00**
UL	W/ 3 Bolts	22	22,500 / 33,750	180	10	PR3900HH00**

To order gasketed covers, replace the letter "A" with the letter "G".

Replace ** with a logo code found on page 64.

NOTE: Gasketed covers and bolt grommets must be used with a gasketed box. Gaskets reduce the inflow of fluids but do not make the enclosure water tight.

Boxes

	DESCRIPTION	DEPTH	TIER	DESIGN / TEST LOAD #	WEIGHT #	PALLET QTY	PART NO.
UL	Standard Open Bottom	18"	22	22,500 / 33,750	244	3	PR3943BA18
		24"	22	22,500 / 33,750	326	2	PR3944BA24
UL		36"	22	22,500 / 33,750	488	1	PR3943BA36

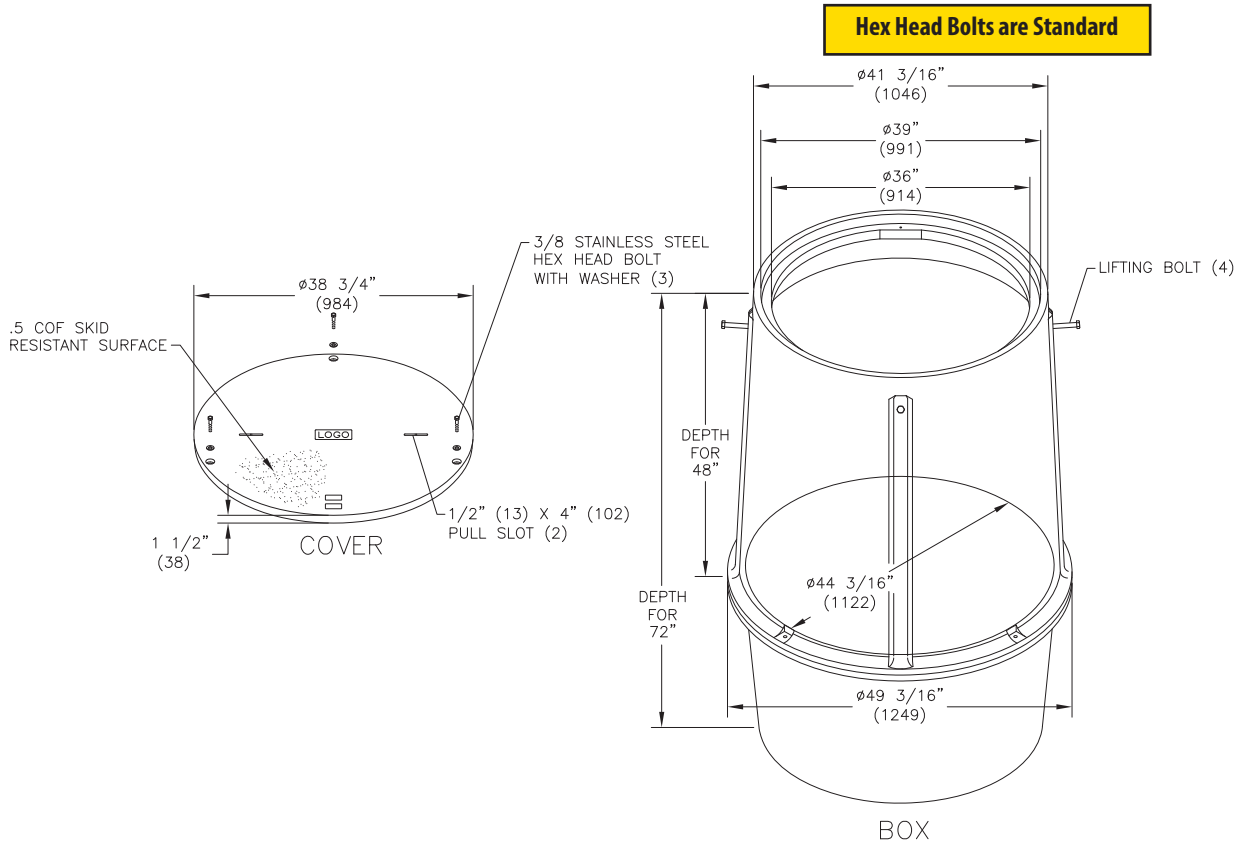
To order gasketed boxes, replace the letter "A" with the letter "G".

NOTE: Gasketed covers and bolt grommets must be used with a gasketed box. Gaskets reduce the inflow of fluids but do not make the enclosure water tight.

NOTE: 36" depth created by bolting 2-18" deep boxes bottom to bottom.

39" Round Style Assembly

Dimensions / Data



Covers

	DESCRIPTION	TIER	DESIGN / TEST LOAD #	WEIGHT #	PALLET QTY	PART NO.
UL	W/ 3 Bolts	8	8,000 / 12,000	141	10	PR3900CA00**
UL	W/ 3 Bolts	15	15,000 / 22,500	180	10	PR3900HA00**
UL	W/ 3 Bolts	22	22,500 / 33,750	180	10	PR3900HH00**

To order gasketed covers, replace the letter "A" with the letter "G".
 Replace ** with a logo code found on page 64.

NOTE: Gasketed covers and bolt grommets must be used with a gasketed box. Gaskets reduce the inflow of fluids but do not make the enclosure water tight.

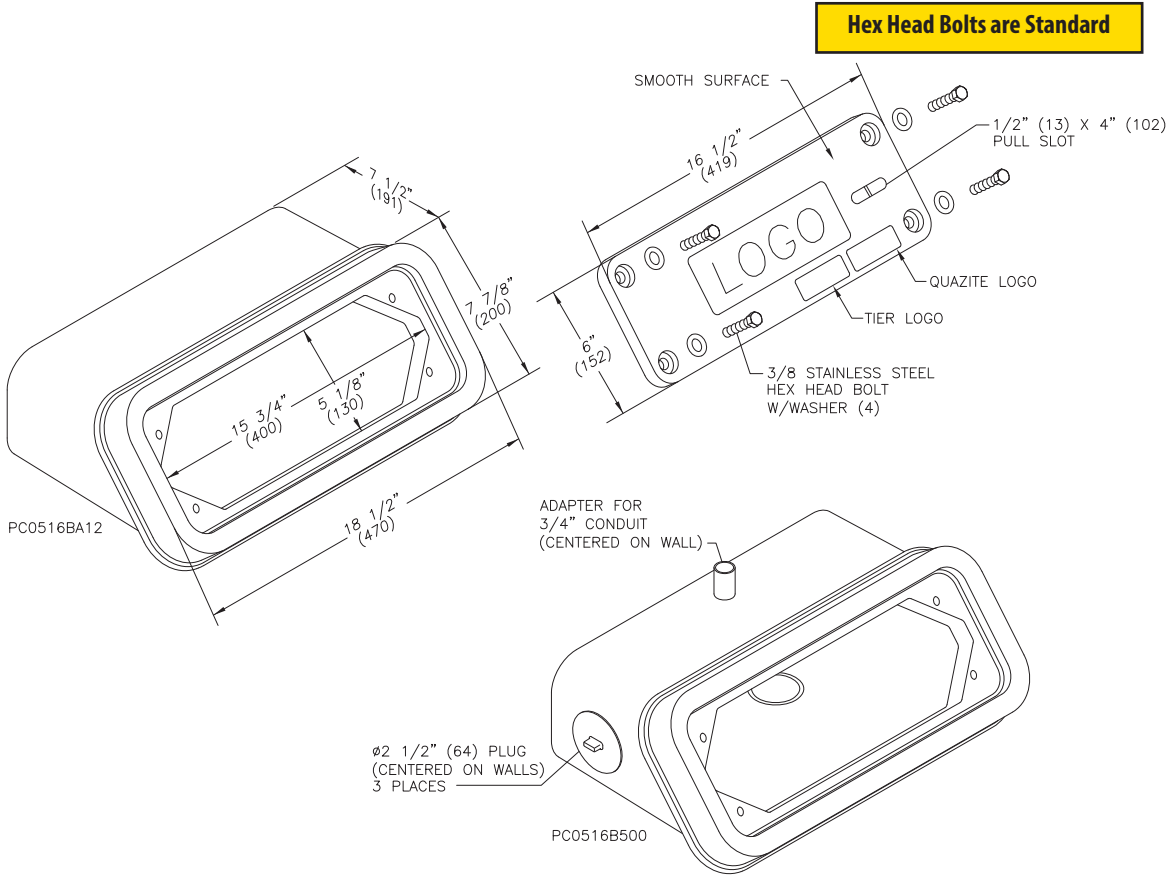
Boxes

	DESCRIPTION	DEPTH	TIER	DESIGN / TEST LOAD #	WEIGHT #	PALLET QTY	PART NO.
	Standard Open Bottom	48"	22	22,500 / 33,750	377	2	PR3944BA48
		72"	22	22,500 / 33,750	707	1	PR3944BA72

To order gasketed boxes, replace the letter "A" with the letter "G".

NOTE: Gasketed covers and bolt grommets must be used with a gasketed box. Gaskets reduce the inflow of fluids but do not make the enclosure water tight.

NOTE: 72" depth created by bolting 1-48" and 1-24" deep box bottom to bottom.



Covers

DESCRIPTION	TIER	DESIGN / TEST LOAD #	WEIGHT #	PALLET QTY	PART NO.
W/ 4 Bolts	8	8,000 / 12,000	6	36	PC0516CA00**

Replace ** with a logo code found on page 64.

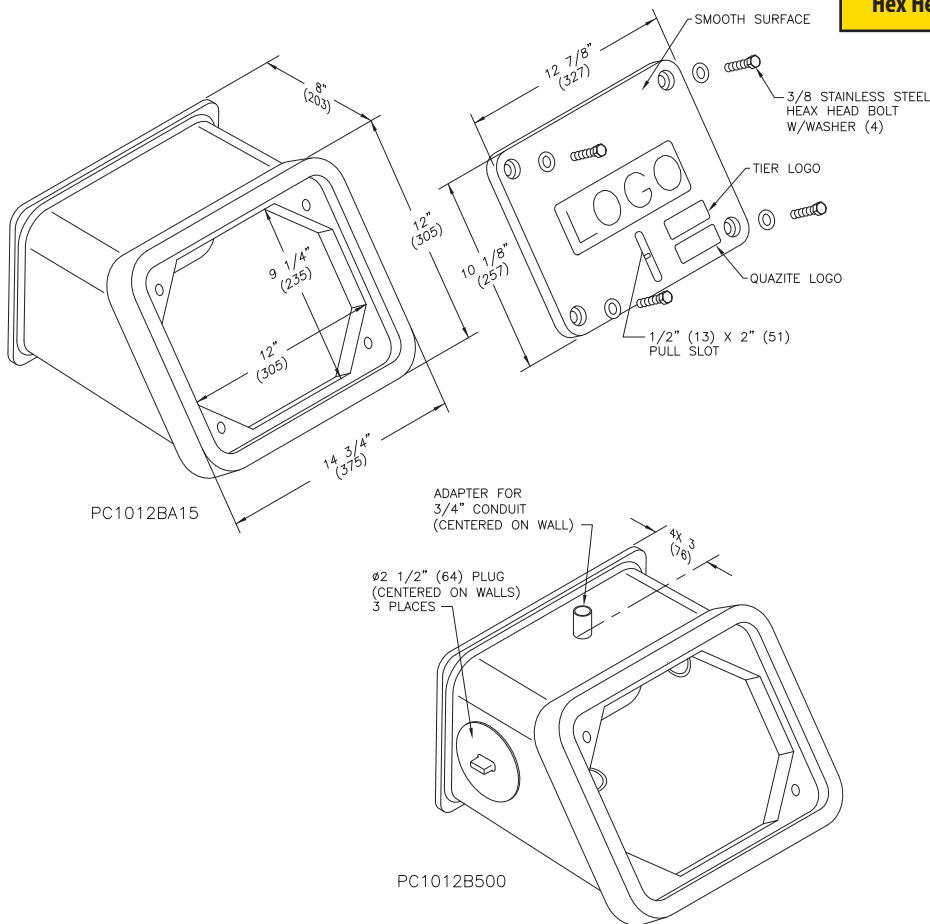
Boxes

DESCRIPTION	DEPTH	TIER	DESIGN / TEST LOAD #	WEIGHT #	PALLET QTY	PART NO.
Closed Bottom	7 1/2"	15	15,000 / 22,500	25	36	PC0516BA12
Closed Bottom	7 1/2"	15	15,000 / 22,500	25	36	PC0516B500

10" x 12" Jersey Style Median Barrier Enclosure

Dimensions / Data

Hex Head Bolts are Standard



Covers

DESCRIPTION	TIER	DESIGN / TEST LOAD #	WEIGHT #	PALLET QTY	PART NO.
W/ 4 Bolts	8	8,000 / 12,000	8	24	PC1012CA00**

Replace ** with a logo code found on page 64.

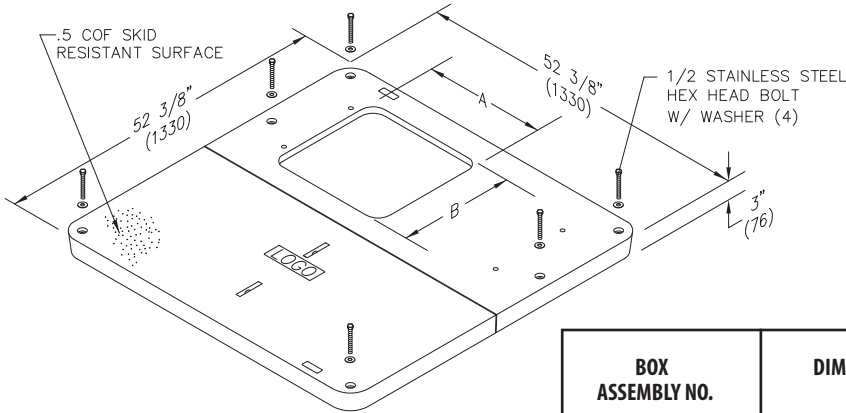
Boxes

DESCRIPTION	DEPTH	TIER	DESIGN / TEST LOAD #	WEIGHT #	PALLET QTY	PART NO.
Solid Bottom	8"	15	15,000 / 22,500	23	24	PC1012BA15
Solid Bottom	8"	15	15,000 / 22,500	23	24	PC1012B500

QUAZITE

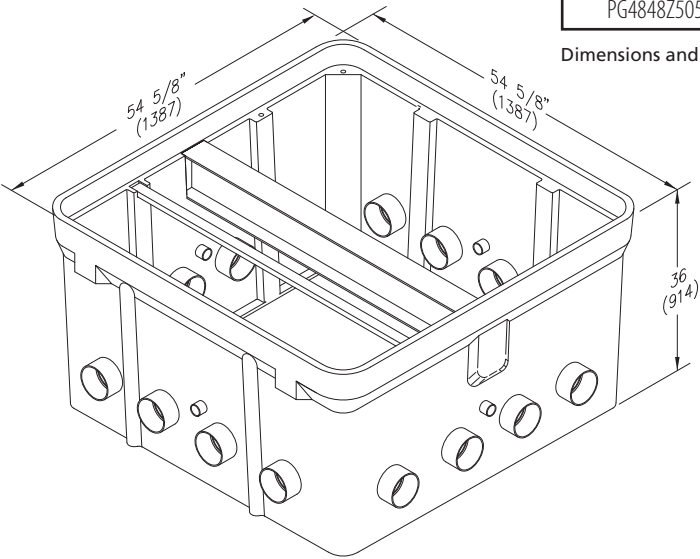
Cell Site Enclosure

Hex Head Bolts are Standard



BOX ASSEMBLY NO.	DIMENSION A	DIMENSION B
PG4848Z511	19" (483 mm)	18 1/8" (460 mm)
PG4848Z505	10" (254 mm)	18 1/4" (464 mm)

Dimensions and weights in parentheses are metric equivalent.



QUAZITE



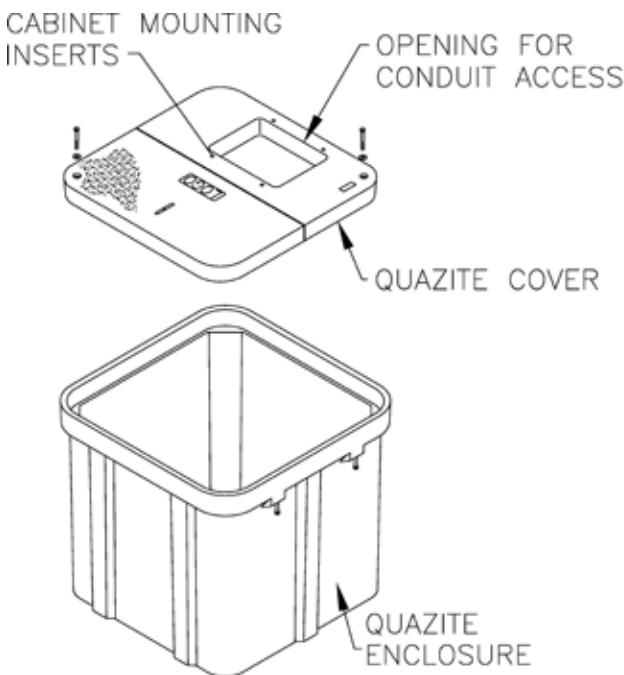
QUAZITE® cell site enclosures allow cellular providers easy access to their cable lines and provide plenty of room for the addition of new lines. Sixteen 4" terminators enable providers to easily add new feeder cables to existing sites. The terminators also reduce the risk of disturbing existing service when adding new cables because installers can clearly see where other cables are entering the box.

QUAZITE® cell site enclosures also make equipment changes and upgrades easy and cost effective. Poured-in-place pads must be completely replaced if changes and upgrades became necessary, but QUAZITE® cell site enclosures feature replaceable covers and an open area inside the enclosure. As a result, new cable lines can easily be added without replacing the pad. Also, providers only need to replace the covers if cabinets with new bolt patterns are installed.

For other sizes and configurations contact your Hubbell/Quazite representative.

Equipment Enclosures

Dimensions / Data



Due to the rapid evolution of suppliers and their equipment, Hubbell requires the customer to provide confirmation of equipment mounting features, dimensions and throat size.

Equipment Manufacturer and Model Number	Enclosure Size
ACE 214	48 X 48 X 36
ACE 92, 100 and 200	36 X 60 X 36
ADC 576 (TE CONNECTIVITY)	48 X 48 X 36
ADC FAT (TE CONNECTIVITY)	24 X 36 X 42
ADC Gen 2 (TE CONNECTIVITY)	36 X 60 X 36 and 48 X 48 X 36
ADC Gen 3 and 3E FDH 144, 216, 288 and 432 (TE CONNECTIVITY)	36 X 36 X 36 and 48 X 48 X 36
ADC Medium 216/432 (TE CONNECTIVITY)	36 X 36 X 36
ADC Small 144 (TE CONNECTIVITY)	36 X 36 X 36
ADC Splitter FDH1G-144/216 (TE CONNECTIVITY)	36 X 60 X 36
AFL FDH 100 (FD000094 MTG. SKIRT)	30 X 48 X 24, 36 X 60 X 24, 36 X 60 X 36 and 48 X 48 X 36
Clearfield 288 PON, 432 PON and 576 PON	24 X 36 X 30
Charles BD03	24 X 24 X 24, 24 X 36 X 30, 30 X 48 X 36, 36 X 60 X 36 and 48 X 72 X 48
Charles BD04	24 X 24 X 24, 24 X 36 X 30, 30 X 48 X 36, 36 X 60 X 36 and 48 X 72 X 48
Charles BD05	24 X 24 X 24, 24 X 36 X 30, 30 X 48 X 36, 36 X 60 X 36 and 48 X 72 X 48
Charles BD07	24 X 24 X 24, 24 X 36 X 30, 30 X 48 X 36, 36 X 60 X 36 and 48 X 72 X 48
Corning 144/216	36 X 60 X 36
Corning 216 or LCA 288	36 X 36 X 36
Corning Gen 3	36 X 72 X 36
Corning Gen 3 and 3E FDH 144, 216, 288 and 432	36 X 36 X 36 and 48 X 48 X 36
Corning LCA-432	36 X 60 X 36
Corning Nex Gen LCA-432	36 X 36 X 36
Emerson/Marconi UPCBD7	30 X 48 X 36 and 48 X 72 X 48
Emerson Sole	30 X 48 X 36
Emerson Span	48 X 48 X 48
Hub CSC (TE CONNECTIVITY)	48 X 72 X 48
OFS Orbital 288 FTTX	36 X 36 X 36

Information shown is a partial listing and is for reference only. Contact equipment manufacturer for specific mounting dimensions, throat size and other details.

QUAZITE



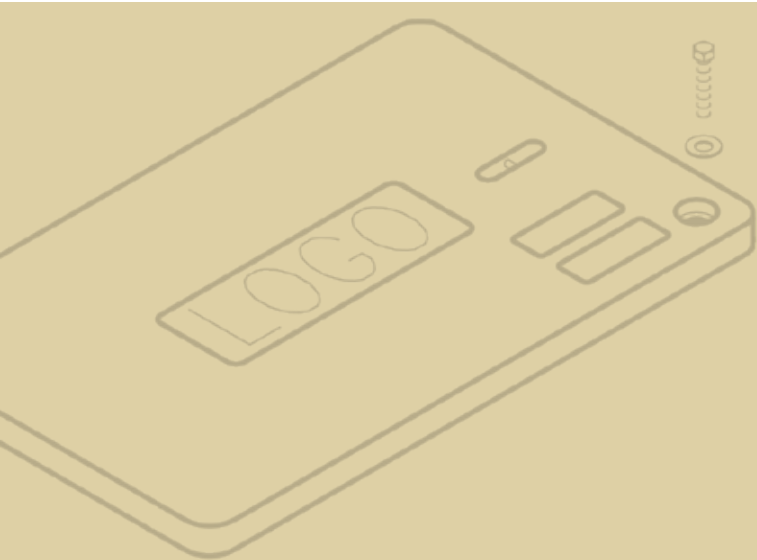
Most commonly used cover logos are shown below. Custom Logos are available. Contact your Quazite/Hubbell Representative.

Quazite® Cover Options



POLYMER CONCRETE LOGO CODES	DESCRIPTION
09	BLANK
10	CATV
12	COMMUNICATIONS
14	CONTROLS
17	ELECTRIC
21	FIBER OPTICS
22	FIRE ALARM
23	GAS
24	GROUND
26	HIGH VOLTAGE
29	LIGHTING
36	SECURITY
38	SIGNAL
40	STATE TRAFFIC SIGNAL
41	STREET LIGHTING
42	TELECOM
43	TELEPHONE
44	TRAFFIC
45	TRAFFIC CONTROL
46	TRAFFIC SIGNAL
48	TV
50	WATER
57	EMERGENCY
65	ILLUMINATION
81	DANGER HIGH VOLTAGE
84	POWER
92	TELECOMMUNICATIONS
3A	DOT
6B	INSTRUMENTATION
ZA	IRRIGATION
K91	RECLAIMED WATER
KH1	FIBEROPTIC

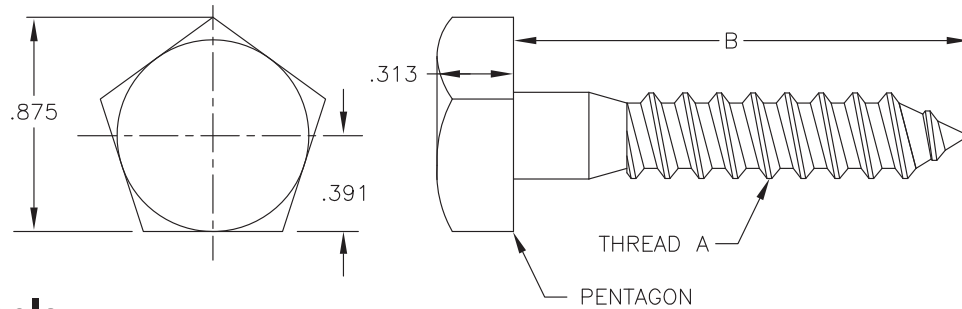
QUAZITE



Cover Options:

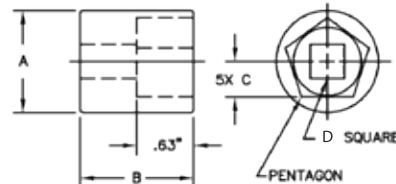
• Tamper Resistant Penta-Head Bolt

This upgrade option includes a special penta head bolt that can only be turned using a Penta-Head socket. To order this option for Polymer Concrete Covers, add the suffix P to the end of the cover part number. (Example: PG2436HA0017P).



Quazite® Tools

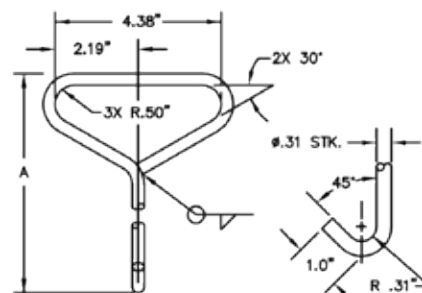
Tamper Resistant Standard Penta-Head Socket - Alloy Steel



Part No.	UPC #	(A)	(B)	(C)	(D)
C082920	11844	1.13"	2.00"	.391"	.375"
C082922	11845	0.88"	1.50"	.250"	.375"
WP74900	N/A	1.13"	2.00"	.391"	.500"
WP74902	N/A	1.13"	2.00"	.391"	*

* Includes integral T-handle

Cover Hooks



Description	Part No.	UPC#	(A)	Material (Steel)
Short Cover Hook	C082905	11842	7.0"	Electroplated
Long Cover Hook	C082908	11843	27.0"	Electroplated
Stainless Steel Cover Hook	CH30-38SS		30.0"	Stainless

Cover Options:

• Electronic Markers (Cast in Cover)

A full range of electronic markers are encased in the polymer concrete PC, PG, PT, LG, LT or PR style covers. Specify frequency for your utility type by inserting the code letter into the 10th digit of the cover number.

(Example: PG3048CA0P09)

TYPE	POLYMER CONCRETE CODE	FREQUENCY
TELECOMMUNICATIONS	T	101.4 kHz
POWER	P	169.8 kHz
GAS	G	83.0 kHz
WATER	W	145.7 kHz
SANITARY	S	121.6 kHz

• Quazite® Torsion Covers

Feature a skid-resistant surface and come with an assisted, low-force cover opening that bolts closed. Torsion covers range in size from 35 5/8" x 58 3/4" to 54 5/8" x 81 5/8". Torsion Covers provide easy access to the vault when open and security when closed.

• Lightweight Covers

The reduced weight combined with the tremendous strength of Hubbell's lightweight cover design translates into speed and productivity. Contact your Hubbell/Quazite representative for more information.

• Touch Read

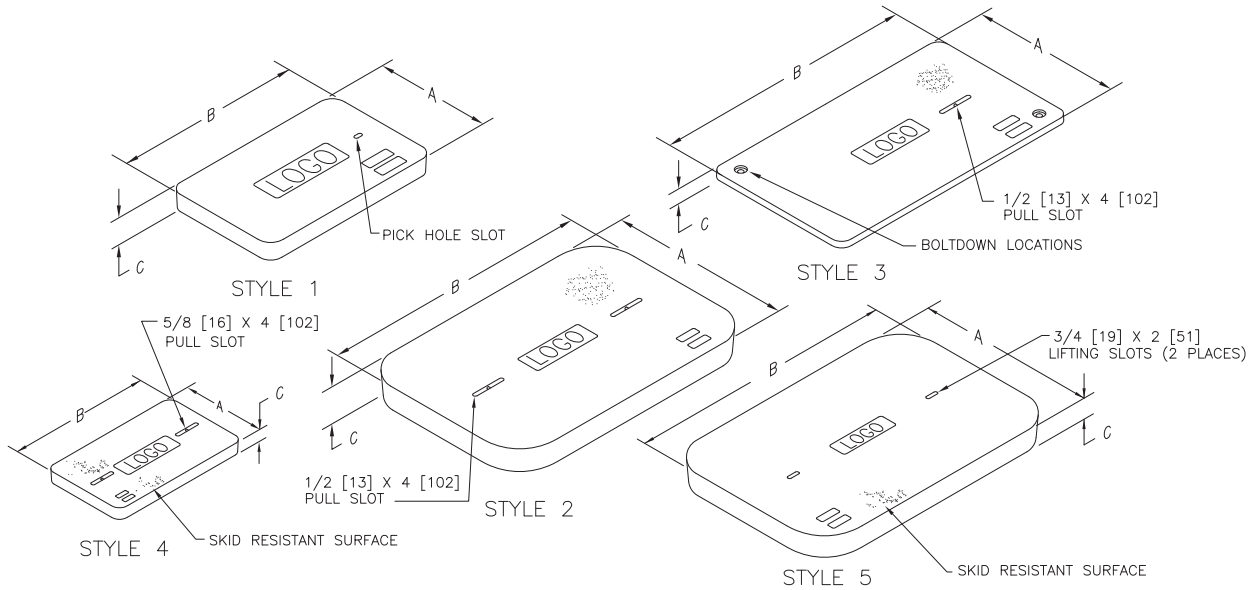
Touch Read counter bores and Radio Read openings are available in several sizes. Contact your Hubbell/Quazite representative for more information.

QUAZITE



Replacement Covers

Dimensions / Data



Polymer Concrete

STYLE	DIM. A	DIM. B	DIM. C	TIER	DESIGN / TEST LOAD #	BOLT DOWN	WEIGHT#	PALLET QTY	REPLACEMENT PART NO.
1	10"	15 3/8"	1 3/4"	8	8,000 / 12,000	NO	20	40	PG1015WAS0
1	11 1/4"	18 1/8"	1 3/4"	8	8,000 / 12,000	NO	27	40	PG1118WAS0
2	10 5/8"	20 3/4"	2"	8	8,000 / 12,000	NO	33	40	PG1121WA00
4	13 3/4"	23 1/4"	2"	8	8,000 / 12,000	NO	23	50	C001324501
4	13 3/4"	23 1/4"	2"	8	8,000 / 12,000	YES	23	50	C101324501
2	13 3/4"	24 1/4"	2"	8	8,000 / 12,000	NO	32	30	PG1324WA00
3	13 5/8"	23 1/8"	3/4"	5	5,000 / 7,500	YES	18	40	PX1324CA00
2	17 1/2"	30 1/2"	2"	8	8,000 / 12,000	NO	56	20	PG1730WA00
3	17 3/8"	30 3/8"	3/4"	5	5,000 / 7,500	YES	34	20	PX1730CA00
4	17 1/2"	30 1/2"	2"	8	8,000 / 12,000	NO	32	50	C001730500
4	17 1/2"	30 1/2"	2"	8	8,000 / 12,000	YES	32	50	C101730500
2	19 5/8"	19 5/8"	2"	8	8,000 / 12,000	NO	34	20	PG1819WA00
2	21 1/8"	43 1/8"	2"	8	8,000 / 12,000	NO	90	10	PG2042WA00
4	21 1/8"	43 1/8"	2"	8	8,000 / 12,000	NO	56	20	C00204202A
4	21 1/8"	43 1/8"	2"	8	8,000 / 12,000	YES	56	20	C10204202A
2	24"	35 5/8"	3"	8	8,000 / 12,000	NO	109	10	PA2436WA00
2	30 1/8"	47 5/8"	3"	8	8,000 / 12,000	NO	177	10	PA3048WA00
5	30 1/8"	47 5/8"	3"	8	8,000 / 12,000	NO	47 1/8	10	C003048503
5	30 1/8"	47 5/8"	3"	8	8,000 / 12,000	YES	47 1/8	10	C103048503
3	30 1/8"	59 1/2"	3"	8	8,000 / 12,000	YES	128	10	LG3059CA00*
5	30"	59 5/8"	3"	8	8,000 / 12,000	NO	59 1/8	5	C003060501
5	30"	59 5/8"	3"	8	8,000 / 12,000	YES	59 1/8	5	C103060501

*LG3059CA00 is a 2 piece cover.



EZ AUGER™ Upgrade Kits

Most existing Quazite polymer concrete enclosures can be upgraded to EZ Auger™ bolt technology. Upgrade kits are available for most enclosures in both hex head and penta head configurations.

QUAZITE

Quazite's Self-Cleaning EZ Auger™ Bolt System Upgrade Kit for Polymer Concrete Enclosures (Each assembly includes 2 HEX HEAD EZ Auger™ bolts, 2 EZ Auger™ nuts and 2 washers)				
	Thread	Part No.	UPC # 66-2037	Cover Application
HEX HEAD KIT	3/8-7 Lag Thread	C082500	12861	PC0608, PC0818, PC1012, PC1118, PC1212, PC1324, PC1730, PX1324, PX1730, PR2700
	3/8-7 Lag Thread	C082507	18369	PG1015, PG1118
	3/8-7 Lag Thread	C082505	12862	PG1324, PG1730
	3/8-7 Lag Thread	C082510	12863	PG2436, PG3048, PG3636
	3/8-7 Lag Thread	C082512	17590	PG3048 Overlapping
	1/2-6 Lag Thread	C082522	17591	LG3660
	1/2-6 Lag Thread	C082524	17592	PG3660 Overlapping
	1/2-6 Lag Thread	C082526	17593	PG3060, PG3672, PG4848, PG4872, PG4896
	1/2-6 Lag Thread	C082528	17594	PG3060 Overlapping

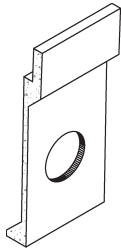
Hubbell's Self-Cleaning EZ Auger™ Bolt System Upgrade Kit for Polymer Concrete Enclosures (Each assembly includes 2 PENTA HEAD EZ Auger™ bolts, 2 EZ Auger™ nuts and 2 washers)				
	Thread	Part No.	UPC # 66-2037	Cover Application
PENTA HEAD KIT	3/8-7 Lag Thread	C082600	18378	PC0608, PC0818, PC1012, PC1118, PC1212, PC1324, PC1730, PX1324, PX1730, PR2700
	3/8-7 Lag Thread	C082607	18379	PG1015, PG1118
	3/8-7 Lag Thread	C082605	18377	PG1324, PG1730
	3/8-7 Lag Thread	C082610	18376	PG2436, PG3048, PG3636
	3/8-7 Lag Thread	C082612	18375	PG3048 Overlapping
	1/2-6 Lag Thread	C082622	18374	LG3660
	1/2-6 Lag Thread	C082624	18373	PG3660 Overlapping
	1/2-6 Lag Thread	C082626	18372	PG3060, PG3672, PG4848, PG4872, PG4896
	1/2-6 Lag Thread	C082628	18371	PG3060 Overlapping



Polymer Concrete Enclosure Options:

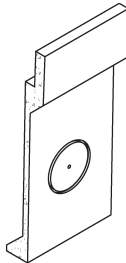
Quazite® features several different accessories for its boxes, including cable racks, unistrut racks, pulleys, knockouts, coiling brackets and terminators. Knockouts are pre-scored at the factory, allowing for easy break out without the need for special tools. Pulleys feature a forged-steel eye-nut and a steel-reinforcing plate.

Holes



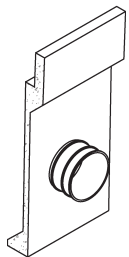
Conduit Sizes
(For actual hole sizes and locations see page 74.)
2"
3"
4" Electrical
4" Telephone
5"
6"
Other hole sizes available. Contact your local HUBBELL®/QUAZITE® representative for information.
Special order boxes with holes (or mouseholes, etc.) may qualify for UL Listing as long as the holes do not exceed more than 25% of the area of each sidewall and as long as the holes do not cut into a structural reinforcing rib, corner or box lip.

Knockouts



Conduit Sizes
(For actual hole sizes and locations see page 74.)
2"
3"
4" Electrical
4" Telephone
5"
6"
Other knockout sizes available. Contact your local HUBBELL®/QUAZITE® representative for information.
Special order boxes with holes (or mouseholes, etc.) may qualify for UL Listing as long as the holes do not exceed more than 25% of the area of each sidewall and as long as the holes do not cut into a structural reinforcing rib, corner or box lip.

Terminators



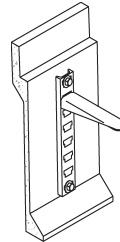
Conduit Sizes
(For actual hole sizes and locations see page 74.)
2"
3"
4" (Electrical and Telephone)*
5"
6"
*New 4" terminator design accommodates both electrical and telephone conduit sizes. Other terminator sizes available. Contact your local HUBBELL®/QUAZITE® representative for additional
Special order boxes with holes (or mouseholes, etc.) may qualify for UL Listing as long as the holes do not exceed more than 25% of the area of each sidewall and as long as the holes do not cut into a structural reinforcing rib, corner or box lip.

Strut Racks



Box and cover struts available. Contact your local HUBBELL®/QUAZITE® representative for sizes.
Inserts must be located in ribs. See page 150 for rib locations.
Width x Depth
1 5/8" x 1 5/8"

Cable Racks and Rack Hooks - Galvanized



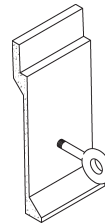
Steel

Cable Racks available in the following lengths:
12" length C080911
18" length C080910
24" length C080915
30" length C080920
36" length C080921

See page 141 for cable rack locations.

Cable Rack Hooks **Part No.**
7 1/2" length C2031132
10" length C2031133

Pulling Eyes



Available Ratings
1,500 lbs.
3,000 lbs.
10,000 lbs.

Captive Bolts

Captive bolts are available for PC, PG, LG, PT, LT and PR style covers. Captive bolts prevent the bolt from falling out of the cover when the cover is removed.

EZ - Locate

The EZ Locate System allows the #6 – #24 AWG ground wires / bonding harnesses or tracer wires to be quickly isolated from the grounding electrode.

The telescoping body is made from stainless steel; the isolating ground switch is made from engineering-grade thermo-plastic and tin-plated copper alloy components to prevent corrosion.

Available Sizes
13x24, 17x30, 24x36, 30x48, 48x48



Polymer Concrete Enclosure Options:

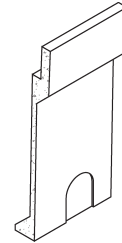
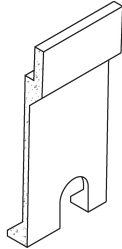
Bolt Holes

Sizes
3/8"
1/4"
1/2"

Mouseholes

There is no additional charge for mouseholes in the standard size and location for their respective enclosures. PC0608, PC0818 and PC1212 boxes usually do not have mouseholes. See page 74 for locations.

Mousehole Sizes	Standard on Boxes
2-1/2" x 4"	LT1015, PC1118, PG1118
4" x 4"	PC1324, PT1324, PC1730, PT1730, PG1324, PG2424, PG1730, PD1730, PG2436, PG3048, PD3048, PG3636
6" x 8"	PG3060, PG3660, PG3672, PG4848, PG4872, PG4896



Inserts - 18-8 Stainless Steel

Available Sizes
3/8" or 1/2"

Inserts must be located in ribs. See page 150 for rib locations.

Mousehole Knockouts

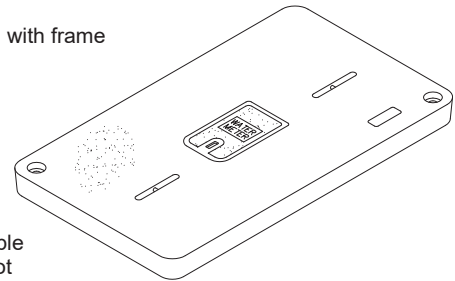
There is no additional charge for mousehole knockouts in the standard size and location for their respective enclosures. Contact your local HUBBELL®/QUAZITE® representative for size options. See page 74 for locations.

Special order boxes with holes (or mouseholes, etc.) may qualify for UL Listing as long as the holes do not exceed more than 25% of the area of each sidewall and as long as the holes do not cut into a structural reinforcing rib, corner or box lip.

Other sizes available. Contact your local HUBBELL®/QUAZITE® representative for information.

Hinged Meter Lids*

Available Sizes
Cast iron 4 1/2" x 7 1/2" lid
Cast iron 6" x 9" lid
Cast iron 9" x 12" lid with frame



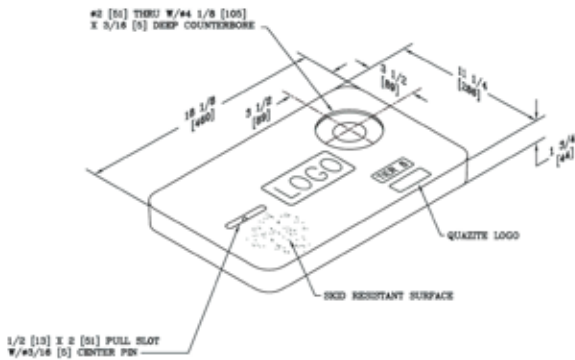
*Select sizes available in Tier 15. Tier 22 not available.

Pull Slots

The standard cover pull slot measures 1/2" x 4". Bell cover pull slots measuring 1" x 4" are available upon request.

Touch/Radio Read Option

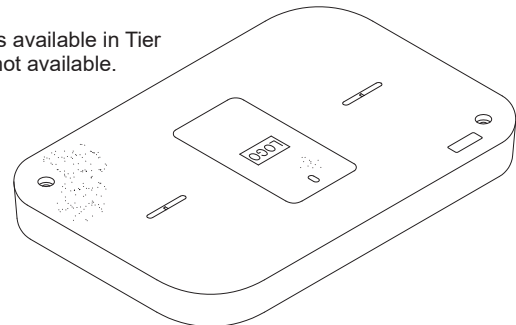
Holes for touch or radio read applications can be provided in covers as needed.



Drop-in Meter Lids*

Available Sizes
Polymer concrete 6" x 9" drop-in lid
Polymer concrete 7" x 13" drop-in lid
Polymer concrete 9" x 15" drop-in lid

*Select sizes available in Tier 15. Tier 22 not available.



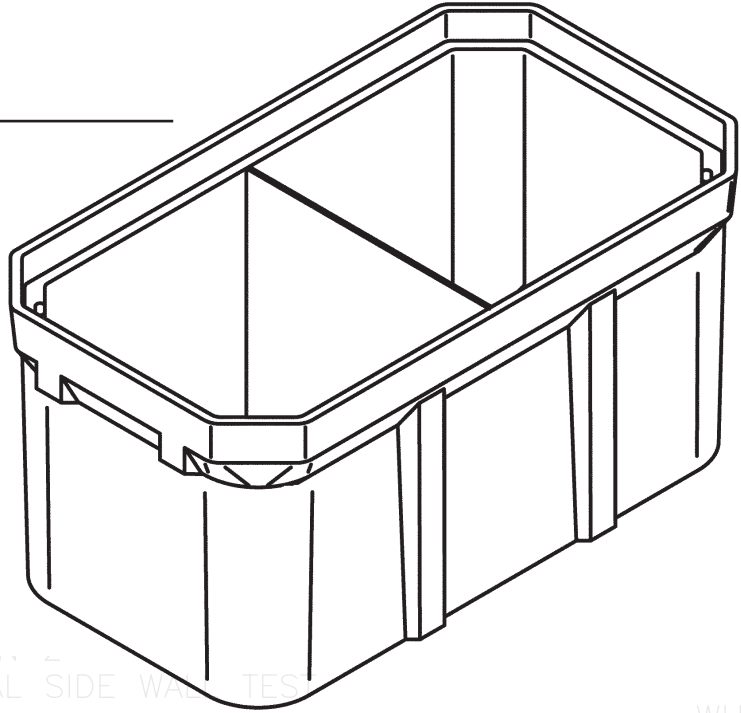
Polymer Concrete Enclosure Dividers:

Divided Boxes

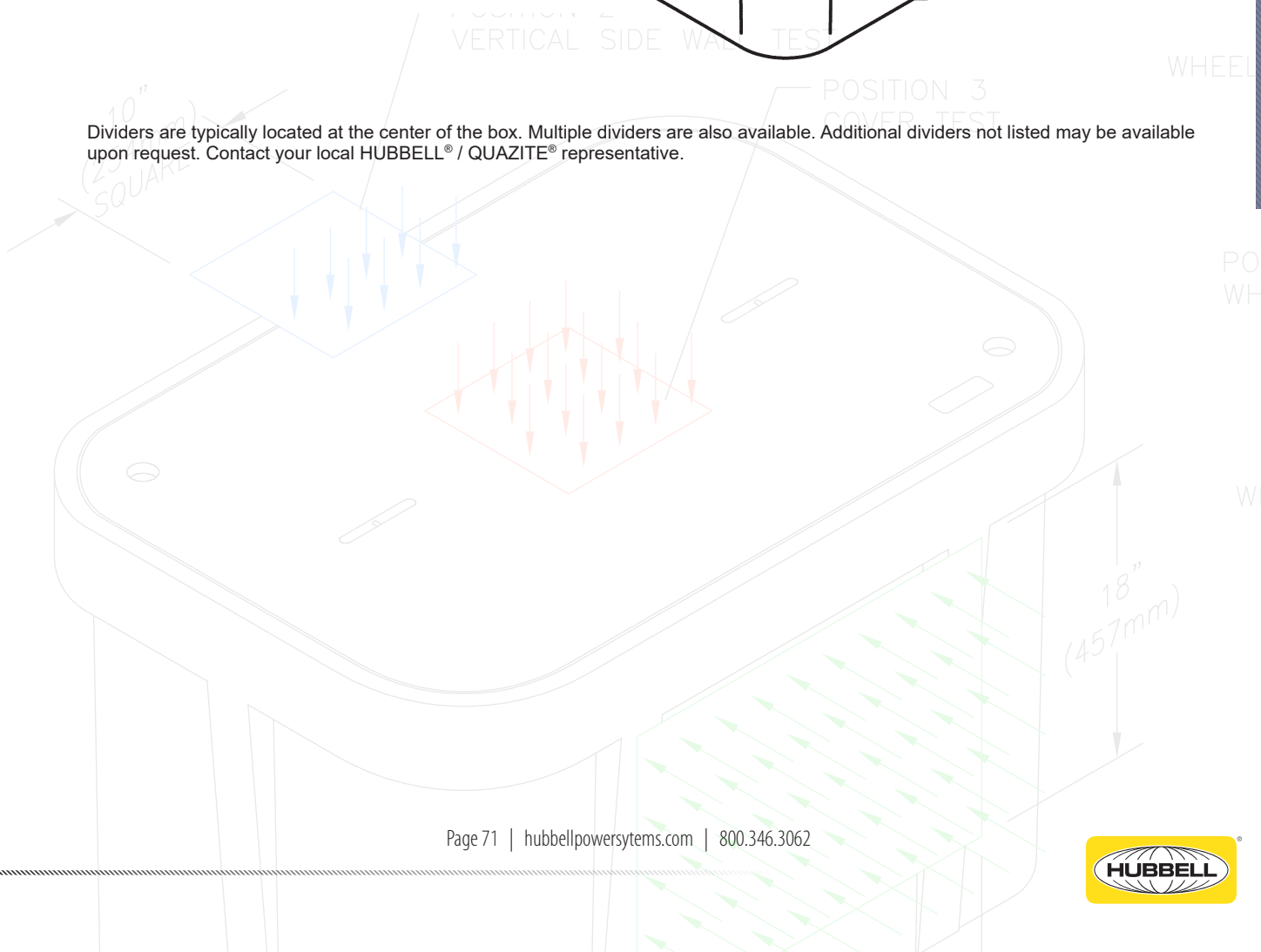
Dividers are available for the following size enclosures:

24" x 36" x 18"	36" x 72" x 21"
24" x 36" x 30"	36" x 72" x 36"
24" x 36" x 42"	48" x 48" x 36"
30" x 48" x 18"	48" x 48" x 48"
30" x 48" x 36"	48" x 72" x 36"
30" x 60" x 21"	48" x 72" x 48"
30" x 60" x 36"	48" x 96" x 48"
36" x 36" x 36"	
36" x 60" x 36"	

NOTE: Dividers are not sold separately.



Dividers are typically located at the center of the box. Multiple dividers are also available. Additional dividers not listed may be available upon request. Contact your local HUBBELL® / QUAZITE® representative.



QUAZITE

Box Collars:

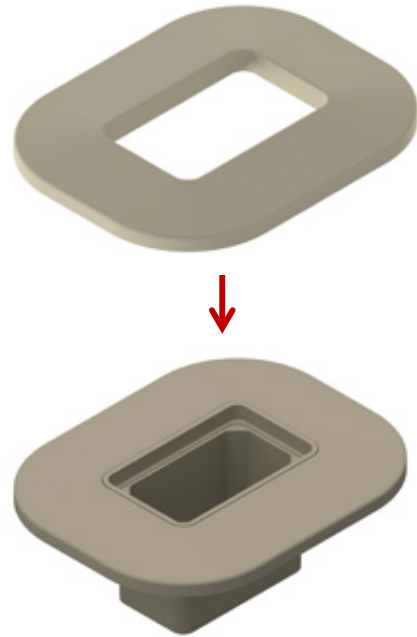
Innovating Your Install Box Collars Save Time And Money

Hubbell's new QUAZITE® box collars could literally revolutionize how you install QUAZITE PG series boxes. Framing, pour-in-place concrete and multiple site visits are all eliminated by using a box collar. Reduce contractor costs by as much as 50%. Installation takes a few minutes and box collars provide strength, security and a clean installation in non-deliberate traffic locations.



Jobsite Benefits include

- Only One Site Visit - No need to revisit the site to remove concrete forms
- No Concrete Truck Needed - No forming, wire mesh or scheduling needed
- Clean Installation - The collar protects the enclosure and eliminates weeds
- Clean and Stable Work Surface - The collar is a convenient, non-skid work area
- Save Time and Money - Save 50%+ on installation costs (see below)
- Easy to Replace - If a collar becomes damaged, replacement is quick and easy



QUAZITE box collars are tested to withstand a Tier 22 test load (33,750 lbs.). They meet or exceed the requirements for the ANSI/ SCTE 77 Section 6.0 environmental tests, the ASTM D2444 impact test and the ASTM 1028-06 Section 8 coefficient of friction test. Please refer to the part numbers below to order a box collar for your PG style QUAZITE enclosure.

Installation Cost Comparison - Poured-in-Place vs. QUAZITE Box Collar

PART NUMBER	FITSD PG SERIES	WEIGHT	OVERALL WIDTH	OVERALL WIDTH
CC1118A03T11R	11" x 18" (All depths)	95 lbs.	35 3/8"	42 1/4"
CC1324A03T11R	13" x 24" (All depths)	108 lbs.	37 1/2"	47"
CC1730A03T11R	17" x 30" (All depths)	129 lbs.	41 5/16"	54 5/16"
CC2436A03T11R	24" x 36" (All depths)	147 lbs.	48"	59 5/8"
CC2436A03T11R500 (marker post compatible)	24" x 36" (All depths)	379 lbs.	54 1/8"	71 5/8"
CC3048A03T11R	30" x 48" (All depths)	184 lbs.	54 1/8"	71 5/8"
CC3048A03T11R500 (marker post compatible)	30" x 48" (All depths)	458 lbs.	62 5/8"	86 5/8"
SC3660A03T11R (split collar)	36" x 60" (All depths)	458 lbs.	62 5/8"	86 5/8"
SC3900A03T11R (split collar)	39" ROUND	324 lbs.	63"	63"

Quazite® Color Options



The standard color for QUAZITE® products is concrete gray. Various color options allow for blending with adjacent materials or special identification of enclosures. Some commonly requested colors include:

Color Sample	Description	Polymer Concrete Part No. Code
	Brick Red	R
	Munsell Green	G
	Light Green	F
	Cement Gray	C
	Charcoal Gray	D
	Black	B
	Pecan	T
	International Orange	A
	Purple	P (non-potable water)
	Blue	U

10"
(254mm)
SQUARE

POSITION 3
COVER TEST

Note: Printed colors are reference only and do not exactly represent product colors.

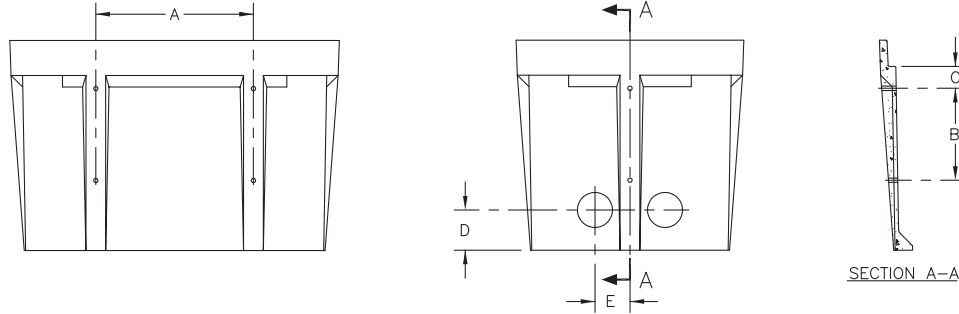
Contact your local Hubbell/Quazite representative for other special colors.

Specify color for PC and PG polymer concrete by inserting the code letter into the 6th digit of the cover or box number. (Example: PG304RCA0009).

QUAZITE

WHEEL

18"
(457mm)



Mouseholes (not illustrated) -
The standard location for mouseholes is in the center of the end walls of the enclosure.

BOXES

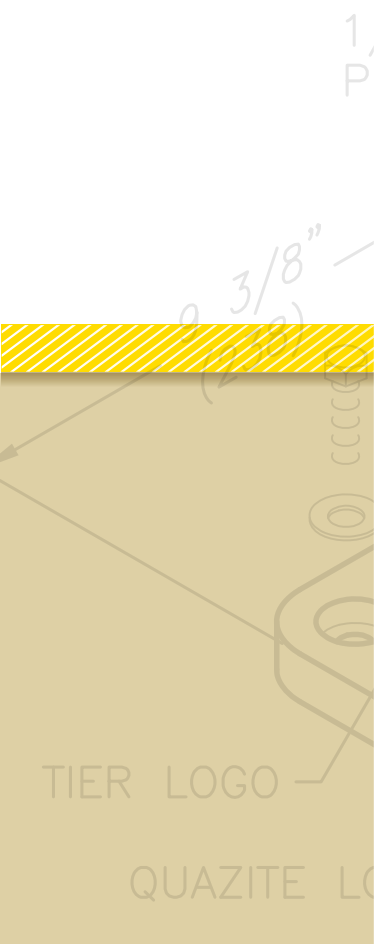
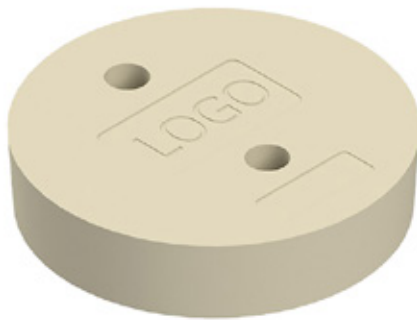
PART NO.	DIMENSIONS				
	A	B	C	D	E
PG2424BA24	12" (305 mm)	10 1/2" (267mm)	4" (102 mm)	5 1/2" (140mm)	4" (102mm)
PG2436BA18	18" (457mm)	9" (229mm)	2 1/2" (64 mm)	5 1/2" (140mm)	4" (102mm)
PG2436BA24	18" (457mm)	13 1/2" (343mm)	2 1/2" (64 mm)	5 1/2" (140mm)	4" (102mm)
PG2436BA30	18" (457mm)	13 1/2" (343mm)	2 1/2" (64 mm)	5 1/2" (140mm)	4" (102mm)
PG2436BA42	18" (457mm)	13 1/2" (343mm)	2 1/2" (64 mm)	5 1/2" (140mm)	4" (102mm)
PD3048BA24	22" (559mm)	10 1/2" (267mm)	6" (152 mm)	5 1/2" (140mm)	5 1/2" (140mm)
PD3048BA48	22" (559mm)	13 1/2" (343 mm)	6" (152 mm)	5 1/2" (140mm)	5 1/2" (140mm)
PG3048BA18	22" (559mm)	9" (229mm)	2 1/2" (64 mm)	5 1/2" (140mm)	5 1/2" (140mm)
PG3048BA24	22" (559mm)	10 1/2" (267mm)	2 1/2" (64 mm)	5 1/2" (140mm)	5 1/2" (140mm)
PG3048BA36	22" (559mm)	13 1/2" (343mm)	2 1/2" (64 mm)	5 1/2" (140mm)	5 1/2" (140mm)
PG3060BA21	20 3/4" (527mm)	10 1/2" (267mm)	2 1/2" (64 mm)	5 1/2" (140mm)	7" (178mm)
PG3060BA30	24" (610mm)	10 1/2" (267mm)	2 1/2" (64 mm)	5 1/2" (140mm)	7" (178mm)
PG3060BA36	20 3/4" (527mm)	10 1/2" (267mm)	2 1/2" (64 mm)	5 1/2" (140mm)	7" (178mm)
PG3636BA36	18" (457mm)	13 1/2" (343mm)	2 1/2" (64 mm)	5 1/2" (140mm)	7" (178mm)
PG3660BA19	22" (559mm)	10 1/2" (267mm)	4" (102 mm)	5 1/2" (140mm)	9" (229mm)
PG3660BA24	22" (559mm)	10 1/2" (267mm)	4" (102 mm)	5 1/2" (140mm)	9" (229mm)
PG3660BA31	22" (559mm)	10 1/2" (267mm)	4" (102 mm)	5 1/2" (140mm)	9" (229mm)
PG3660BA36	22" (559mm)	10 1/2" (267mm)	4" (102 mm)	5 1/2" (140mm)	9" (229mm)
PG3672BA21	20" (508mm)	10 1/2" (267mm)	2 1/2" (76 mm)	5 1/2" (140mm)	9" (229mm)
PG3672BA36	20" (508mm)	10 1/2" (267mm)	3" (76 mm)	5 1/2" (140mm)	9" (229mm)
PG4848BA36	22" (559mm)	10 1/2" (267mm)	5 1/2" (140 mm)	7" (178mm)	5 1/2" (140mm)
PG4848BA48	22" (559mm)	10 1/2" (267mm)	5 1/2" (140 mm)	7" (178mm)	5 1/2" (140mm)
PG4872BA36	46" (1168mm)	13 1/2" (343mm)	5 1/2" (140 mm)	7" (178mm)	5 1/2" (140mm)
PG4872BA48	46" (1168mm)	13 1/2" (343mm)	5 1/2" (140 mm)	7" (178mm)	5 1/2" (140mm)
PG4896BA48	24 3/16" (614mm)	13 1/2" (343mm)	5 1/2" (140 mm)	7" (178mm)	5 1/2" (140mm)

NOTE - Holes should be located only in the walls of an enclosure. Do not cut holes in ribs or corners. Hole locations are ± 1" (25mm). Dimensions and weights in parentheses are metric equivalent.

HOLE SIZING FOR NON-METALLIC CONDUIT / DUCT

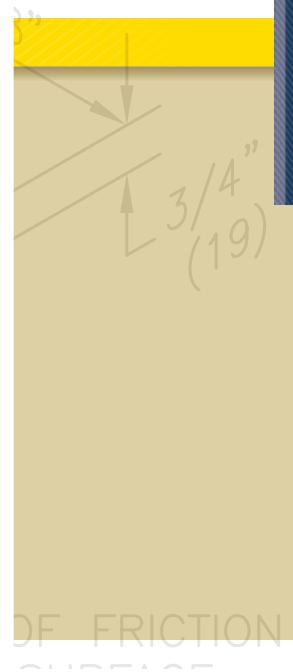
NOMINAL SIZE	1/2"	3/4"	1"	1 1/4"	1 1/2"	2"	3"	4" (elec.)	4" (tele.)	5"	6"
CONDUIT O.D.	.840	1.050	1.315	1.660	1.900	2.375	3.500	4.500	4.350	5.563	6.625
HOLE SIZE	1"	1 1/4"	1 3/8"	1 3/4"	2"	2 1/2"	3 3/4"	4 3/4"	4 3/4"	5 3/4"	6 3/4"

Quazite recommends that holes be punched 1/8" to 1/4" larger than the actual outside diameter of the conduit duct. If more precise holes are required, contact your local HUBBELL®/QUAZITE® representative.



-16 UNC ST
HEAD BOLT

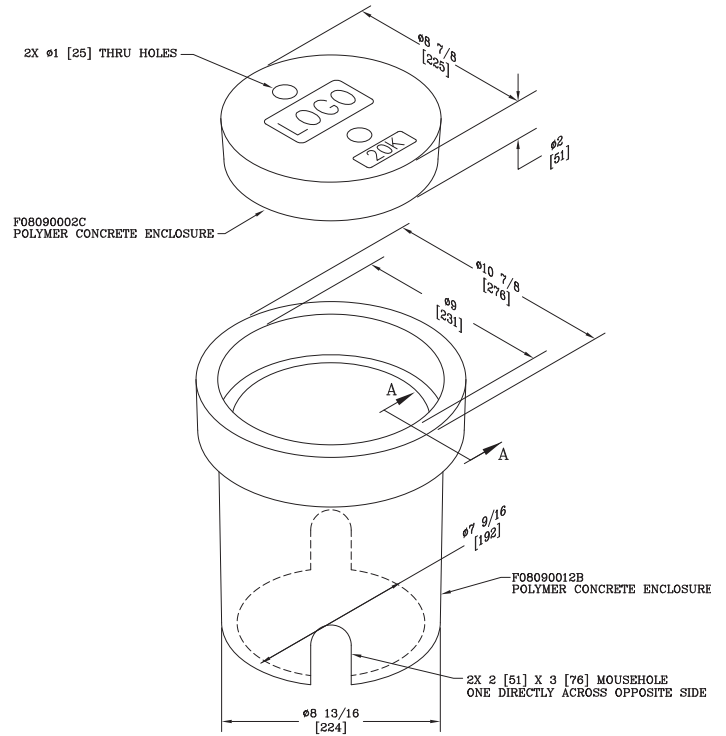
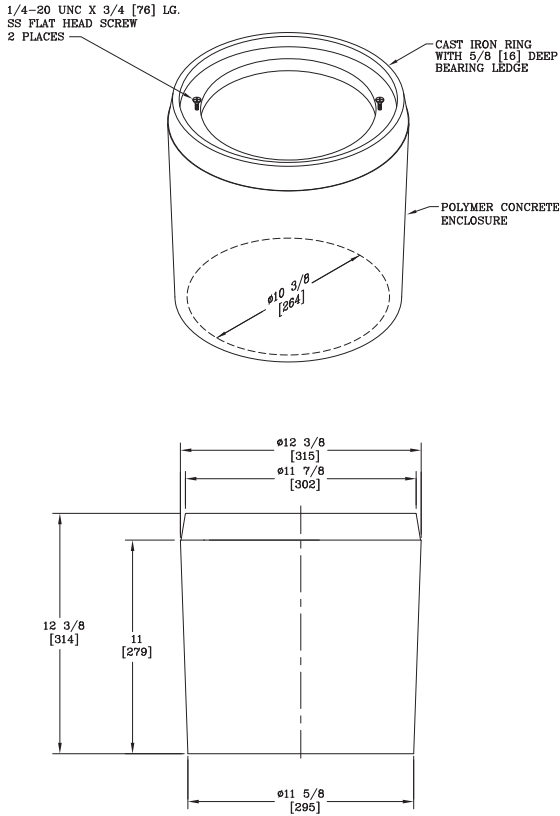
HUBBELL



G05 and F09 Valve Boxes

Dimensions / Data

Hex Head Bolts are Standard



Covers

DESCRIPTION	DIAMETER	DEPTH	TIER	DESIGN / TEST LOAD #	WEIGHT #	PALLET QTY	PART NO.
F08 PC Cover	8 7/8"	2"	N/A	20,000	10	N/A	F08090002C***

Replace *** with desired logo code.

Boxes

DESCRIPTION	DIAMETER	DEPTH	TIER	DESIGN / TEST LOAD #	WEIGHT #	PALLET QTY	PART NO.
G05 Valve Box	12 3/8"	18"	N/A	20,800	39	36	G05110012B
F08 Valve Box	10 7/8"	24"	N/A	20,000	18	48	F08090012B

Replace *** with desired logo code.

Assemblies

DESCRIPTION	DIAMETER	DEPTH	TIER	DESIGN / TEST LOAD #	WEIGHT #	PALLET QTY	PART NO.
F08 PC Assembly	10 7/8"	18"	N/A	20,000	28	48	F08090012A***

Replace *** with desired logo code.

HUBBELL



Quazite[®] FRP

Hubbell maintains a large inventory of Quazite FRP enclosures to serve your needs.



QUAZITE FRP



NEC and Underground Enclosures

The National Electric Code states in article 314.30 that enclosures "...shall be designed and installed to withstand all loads likely to be imposed..." and "addresses issues related to enclosure size, wiring entries, enclosures without bottoms and bonding requirements for covers."

The code references the ANSI/SCTE 77 "Specification for Underground Enclosure Integrity" National Standard, which outlines various tests that enclosures must pass to meet the standard. ANSI/SCTE 77 also provides load charts with Tier ratings to help users determine the appropriate enclosure to select based on the loadings expected in the application.

Quazite® – UL-Listed to ANSI Standard

All Quazite® FRP enclosures meet or exceed the test provisions of ANSI/SCTE 77 2017 as referenced in the 2005, 2008, 2011, 2014 and 2020 NEC. To achieve this, Quazite® FRP enclosures must pass numerous material and product performance tests before they can meet ANSI/SCTE 77 2017.

Testing Requirements for ANSI/SCTE 77 2017

- Three-Position Load Testing to simulate actual application performance
- UV Degradation per ASTM G-154
- Fire Resistance per RUS 7CFR 1755.910 (PE-91)
- Chemical Resistance per ASTM D-543
- Water Absorption per ASTM D-570
- Impact Resistance per ASTM D2444
- Accelerated service per ASTM D-756, procedure E

Quazite® FRP – Peace of Mind.

Quazite® FRP enclosures have undergone rigorous physical, environmental and internal equipment-protection tests and meet the requirements of the ANSI Standard. By adhering to the NEC and ANSI requirements in the enclosure-selection process, users are ensured long service life. Quazite® FRP enclosures offer improved manageability and cost-efficiency over other enclosures, and peace of mind as well.

National Fire Protection Agency, 2005, 2008, 2011, 2014 and 2020 National Electric Code.

Subsequent to the issuance of the 2005 NEC, ANSI approved an updated version of the standard, ANSI/SCTE 77 2017.

The latest copy of the standard may be purchased from ANSI.

FRP Selection Guide

Style Guide – Tailored Product Variety.

We offer a wide variety of FRP box styles in order to meet your most specialized enclosure needs. Each style offers specific strengths and assets for diverse functionality



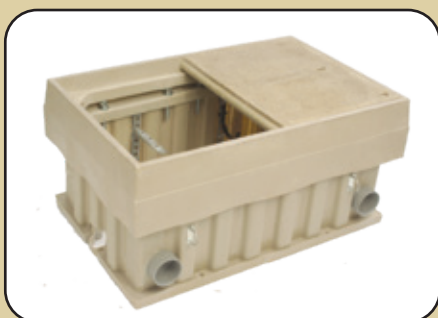
• FRP Flared Wall Style

This style features a unique combination of polymer concrete and fiber-reinforced polymer. FRP flared wall styles are nestable for compact storage and shipment. The flared wall design also optimizes internal volume and minimizes frost heave.



• FRP Straight Wall Style

This style features a unique combination of polymer concrete and fiber-reinforced polymer. FRP straight wall boxes are stackable for increased depth. Straight wall design is also easy to remove or adjust in the field.



• Corrugated Style

A special combination of polymer concrete and fiber-reinforced polymer along with the corrugated walls give this style design flexibility, added strength and durability. Adjust-to-grade or torsion options also available on select sizes.



• FRP Round Style

This round enclosure features a unique combination of polymer concrete and fiber-reinforced polymer. The shape also prevents a cover from falling into the box.

Quazite FRP: Available Size Chart

QUAZITE FRP

Style	Size	Depths	Load Rating Options
Straight Wall	6x8	6 3/4	Tier 8
	10x15	12	Tier 8, Tier 15
	11x18	12, 18	Tier 8, Tier 15, Tier 22
	11x21	12	Tier 5, Tier 8, Tier 15
	11x32	12	Tier 5, Tier 8, Tier 15
	12x12	12	Tier 8, Tier 15, Tier 22
	13x24	12, 18	Tier 8, Tier 15, Tier 22
	15x17	12	Tier 8, Tier 15
	15x27	12	Tier 5, Tier 8
	16x22	18	Tier 8, Tier 15
	17x30	12, 18, 22, 30	Tier 8, Tier 15, Tier 22
	24x24	12, 18, 24	Tier 8, Tier 15, Tier 22
	24x36	18, 24, 30	Tier 8, Tier 15, Tier 22
	30x48	18, 24, 36	Tier 8, Tier 15, Tier 22
	30x60	18, 30, 36, 48	Tier 8, Tier 15, Tier 22
	36x36	18, 24, 30, 36, 48	Tier 8, Tier 15, Tier 22
	36x60	18, 24, 30, 36, 48	Tier 8, Tier 15, Tier 22
36x72	36, 48	Tier 8, Tier 15, Tier 22	
Flared Wall	10x15	12, 18	Tier 8, Tier 15
	11x18	12, 18	Tier 8, Tier 15, Tier 22
	11x32	12	Tier 5, Tier 8
	12x12	12, 24	Tier 8, Tier 15
	13x24	12, 18, 24*	Tier 8, Tier 15, Tier 22
	15x17	12	Tier 5, Tier 8, Tier 15
	15x27	12	Tier 5, Tier 8
	16x22	30	Tier 8, Tier 15
	17x30	12, 18, 22, 24, 30, 34*	Tier 8, Tier 15, Tier 22
	24x36	18, 24, 30, 36, 42, 48*	Tier 8, Tier 15, Tier 22
	24x60	24	Tier 5
	30x48	18, 24, 30, 36	Tier 8, Tier 15, Tier 22

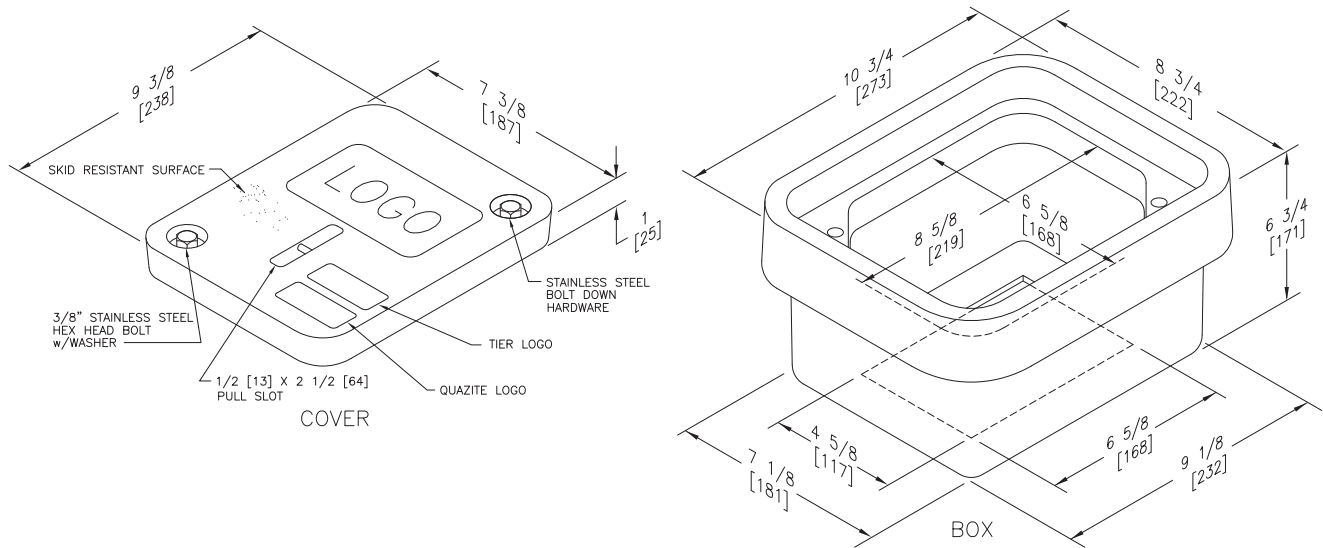
Style	Size	Depths	Load Rating Options
Corrugated Wall	30x48	18, 24, 30, 36, 48*	Tier 8, Tier 15, Tier 22
	30x60	18, 24, 30, 36, 48	Tier 5, Tier 8, Tier 15, Tier 22
	36x60	18, 24, 30, 36, 48	Tier 8, Tier 15, Tier 22
	36x72	18, 24, 30, 36, 48	Tier 8, Tier 15, Tier 22
	36x96	30, 36, 48	Tier 8, Tier 15, Tier 22
	48x48	18, 24, 30, 36, 48	Tier 8, Tier 15, Tier 22
	48x72	18, 24, 30, 36, 48	Tier 8, Tier 15, Tier 22
	48x78	18, 24, 30, 36, 48	Tier 8, Tier 15, Tier 22
	48x96	18, 24, 30, 36, 48	Tier 8, Tier 15, Tier 22
	78x96	36, 48	Tier 8, Tier 15, Tier 22
	Round	2,000	24, 48
2,700		36, 72	Tier 8, Tier 15
3,200		36	Tier 8, Tier 15, Tier 22
3,900		14, 30, 36	Tier 8, Tier 15, Tier 22

*Extensions Available

6" x 8" FRP Straight Wall Stackable

Dimensions / Data

Hex Head Bolts are Standard



Covers

DESCRIPTION	TIER	DESIGN / TEST LOAD #	WEIGHT #	PALLET QTY	PART NO.
W/ 2 Bolts	8	8,000 / 12,000	5	300	C30060801A***
No Bolts	8	8,000 / 12,000	5	300	C00060801A***

Replace *** with a logo code found on page 146.

Boxes

DESCRIPTION	DEPTH	TIER	DESIGN / TEST LOAD #	WEIGHT #	PALLET QTY	PART NO.
Standard Open	6 3/4"	8	8,000 / 12,000	6	64	B33060806A
Solid Bottom	6 3/4"	8	8,000 / 12,000	6.5	64	B33060806B

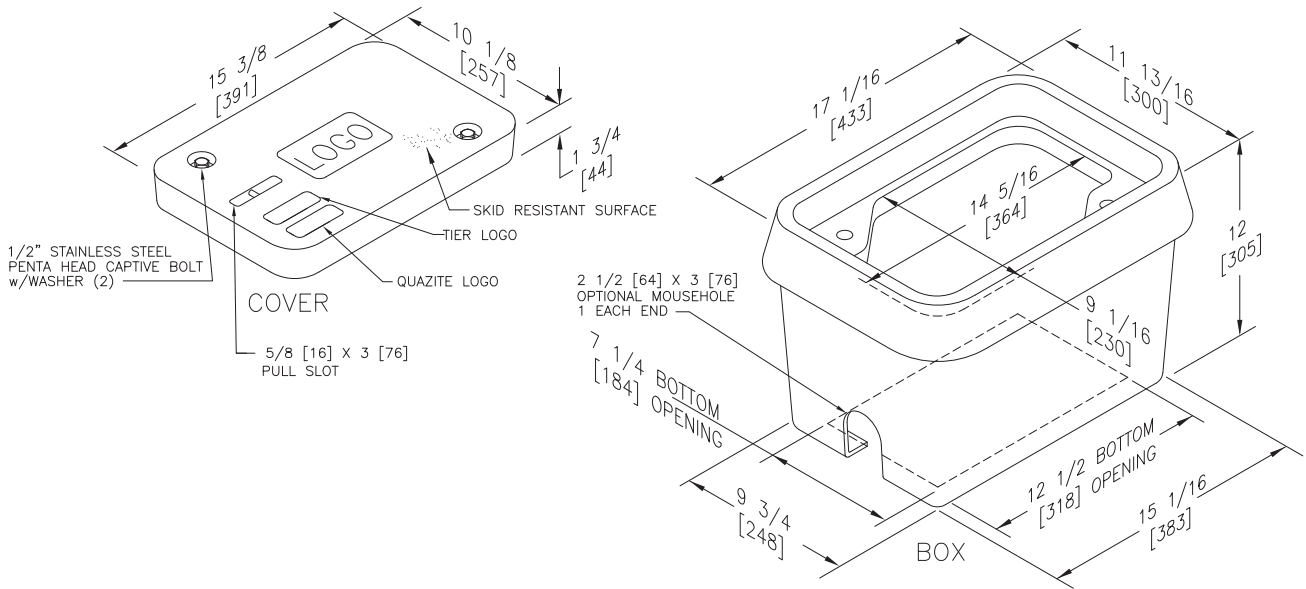
To order gasketed boxes, replace the last character with "G".
NOTE: Gasket reduce the inflow of fluids but do not make the enclosure water tight.

QUAZITE FRP

10" x 15" FRP Straight Wall Stackable

Dimensions / Data

Penta Head Bolts are Standard



Covers

DESCRIPTION	TIER	DESIGN / TEST LOAD #	WEIGHT #	PALLET QTY	PART NO.
W/ 2 Bolts	8	8,000 / 12,000	17	100	C10101502A***
W/ 2 Bolts	15	15,000 / 22,500	19	100	C12101502A***
No Bolts	8	8,000 / 12,000	17	100	C00101502A***
No Bolts, w/ CI Reader, Under 90	5	5,000 / 7,500	20	100	C08101502D009
No Bolts, w/ CI Reader, Under 90	8	8,000 / 12,000	20	100	C00101502D009
No Bolts, w/ CI Reader, Under 90	15	15,000 / 22,500	20	100	C02101502D009

Replace *** with a logo code found on page 146. See page 149 for other meter lid and touch/radio read cover options.

Boxes

DESCRIPTION	DEPTH	TIER	DESIGN / TEST LOAD #	WEIGHT #	PALLET QTY	PART NO.
Standard Open Bottom	12"	8	8,000 / 12,000	24	25	B13101512A
	12"	15	15,000 / 22,500	27	25	B14101512A
Solid Bottom	12"	8	8,000 / 12,000	28	25	B13101512B
	12"	15	15,000 / 22,500	31	25	B14101512B

To order boxes with two standard mouseholes, replace the last character with "M".

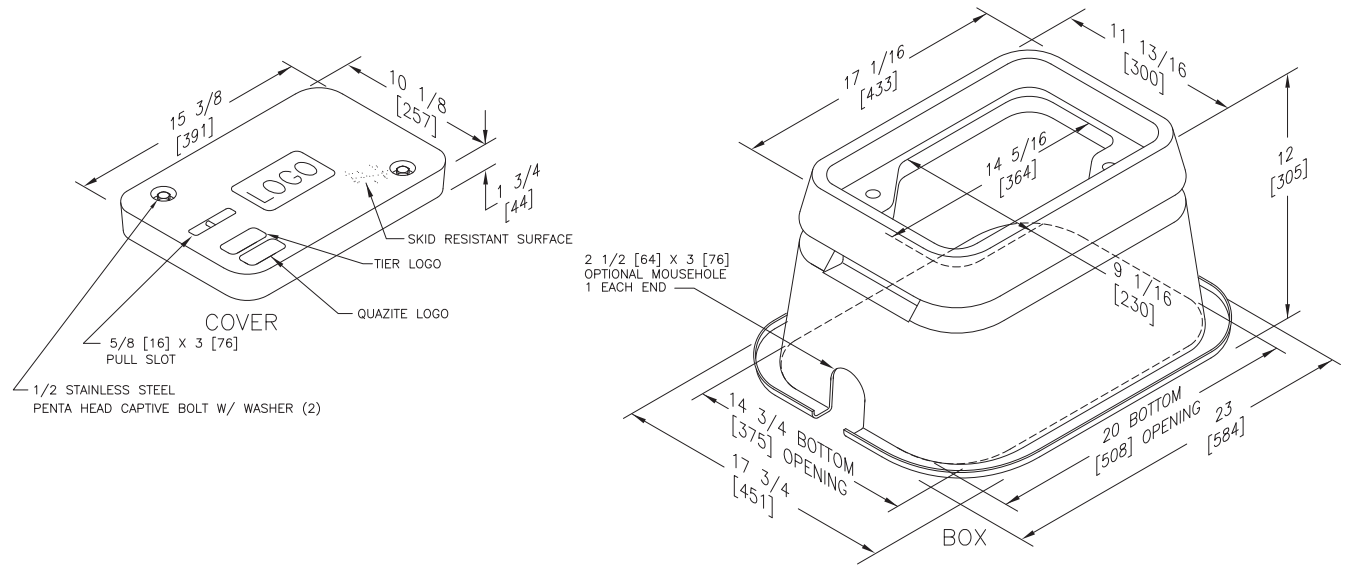
To order gasketed boxes, replace the last character with "G".

NOTE: Gasket reduce the inflow of fluids but do not make the enclosure water tight.

10" x 15" FRP Flared

Dimensions / Data

Penta Head Bolts are Standard



Covers

DESCRIPTION	TIER	DESIGN / TEST LOAD #	WEIGHT #	PALLET QTY	PART NO.
W/ 2 Bolts	8	8,000 / 12,000	17	100	C10101502A***
W/ 2 Bolts	15	15,000 / 22,500	19	100	C12101502A***
No Bolts	8	8,000 / 12,000	17	100	C00101502A***
No Bolts, w/ CI Reader, Under 90	5	5,000 / 7,500	20	100	C08101502D009
No Bolts, w/ CI Reader, Under 90	8	8,000 / 12,000	20	100	C00101502D009
No Bolts, w/ CI Reader, Under 90	15	15,000 / 22,500	20	100	C02101502D009

Replace *** with a logo code found on page 146. See page 149 for other meter lid and touch/radio read cover options.

Boxes

DESCRIPTION	DEPTH	TIER	DESIGN / TEST LOAD #	WEIGHT #	PALLET QTY	PART NO.
Standard Open Bottom	12"	8	8,000 / 12,000	22	50	B10101512A
	18"		8,000 / 12,000	36	20	B10101518A
	12"	15	15,000 / 22,500	25	50	B12101512A
	18"		15,000 / 22,500	38	20	B12101518A

To order boxes with two standard mouseholes, replace the last character with "M".

To order gasketed boxes, replace the last character with "G".

Gaskets reduce the inflow of fluids but do not make the enclosure water tight.

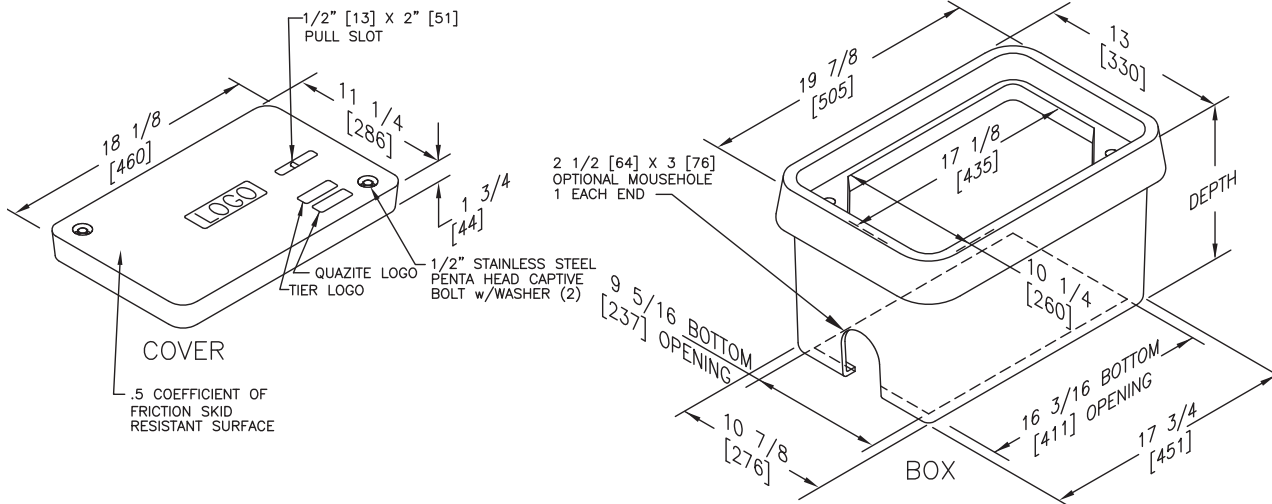
NOTE: Cover rating cannot exceed box rating.

QUAZITE FRP

11" x 18" FRP Straight Wall Stackable

Dimensions / Data

Penta Head Bolts are Standard



Covers

DESCRIPTION	TIER	DESIGN / TEST LOAD #	WEIGHT #	PALLET QTY	PART NO.
W/ 2 Bolts	8	8,000 / 12,000	21	100	C10111802A***
W/ 2 Bolts	15	15,000 / 22,500	23	100	C12111802A***
No Bolts	8	8,000 / 12,000	21	100	C00111802A***
W/ 2 Bolts	22	22,500 / 33,750	23	100	C16111802A***
No Bolts, w/ CI Reader, Under 90	5*	5,000 / 7,500	26	100	C08111802D009

Replace *** with a logo code found on page 146. See page 149 for other meter lid and touch/radio read cover options.
* CI Reader covers also available in Tier 8.

Boxes

DESCRIPTION	DEPTH	TIER	DESIGN / TEST LOAD #	WEIGHT #	PALLET QTY	PART NO.
Standard Open Bottom	12"	8	8,000 / 12,000	25	25	B13111812A
	18"		8,000 / 12,000	29	20	B13111818A
	12"	15	15,000 / 22,500	28	25	B14111812A
	18"		15,000 / 22,500	32	20	B14111818A
	12"	22	22,500 / 33,750	28	25	B16111812A
	18"		22,500 / 33,750	32	20	B16111818A
Solid Bottom	12"	8	8,000 / 12,000	27	25	B13111812B
	18"		8,000 / 12,000	31	20	B13111818B
	12"	15	15,000 / 22,500	30	25	B14111812B
	18"		15,000 / 22,500	34	20	B14111818B
	12"	22	22,500 / 33,750	30	25	B16111812B
	18"		22,500 / 33,750	34	20	B16111818B

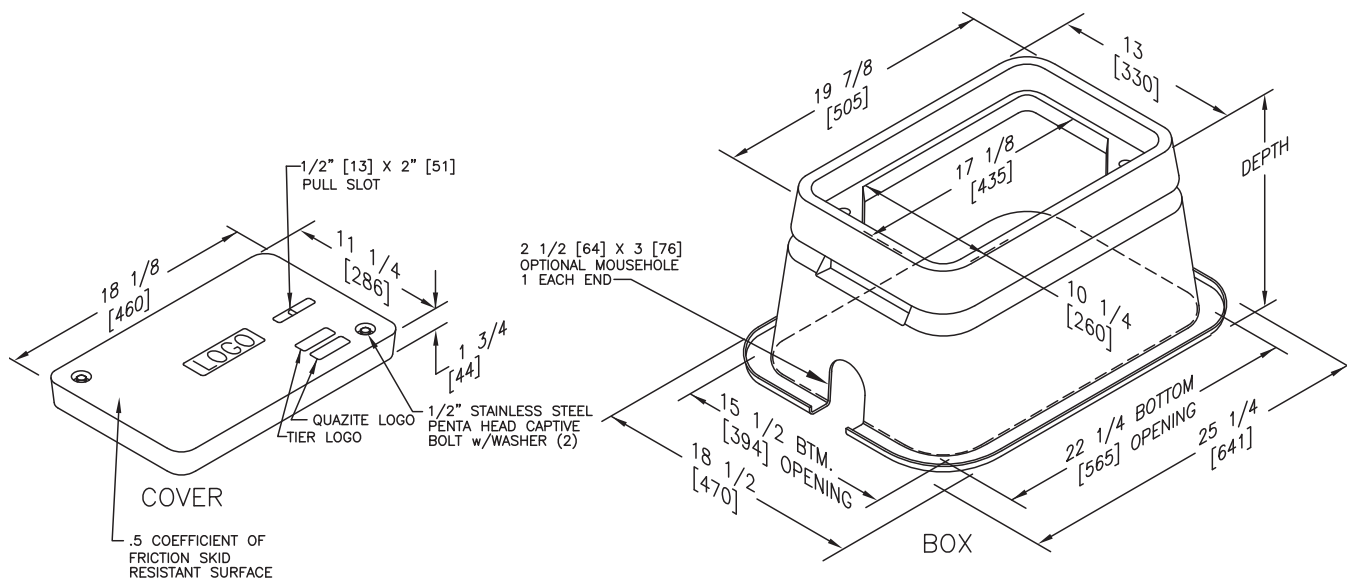
To order boxes with two standard mouseholes, replace the last character with "M".
To order gasketed boxes, replace the last character with "G".
NOTE: Gasket reduce the inflow of fluids but do not make the enclosure water tight.

QUAZITE FRP

11" x 18" Flared Wall Style FRP (Nestable) Assembly

Dimensions / Data

Penta Head Bolts are Standard



Covers

DESCRIPTION	TIER	DESIGN / TEST LOAD #	WEIGHT #	PALLET QTY	PART NO.
W/ 2 Bolts	8	8,000 / 12,000	21	100	C10111802A***
W/ 2 Bolts	15	15,000 / 22,500	23	100	C12111802A***
No Bolts	8	8,000 / 12,000	21	100	C00111802A***
W/ 2 Bolts	22	22,500 / 33,750	23	100	C16111802A***
No Bolts, w/ CI Reader, Under 90	5*	5,000 / 7,500	26	100	C08111802D009

Replace *** with a logo code found on page 146. See page 149 for other meter lid and touch/radio read cover options.
* CI Reader covers also available in Tier 8.

Boxes

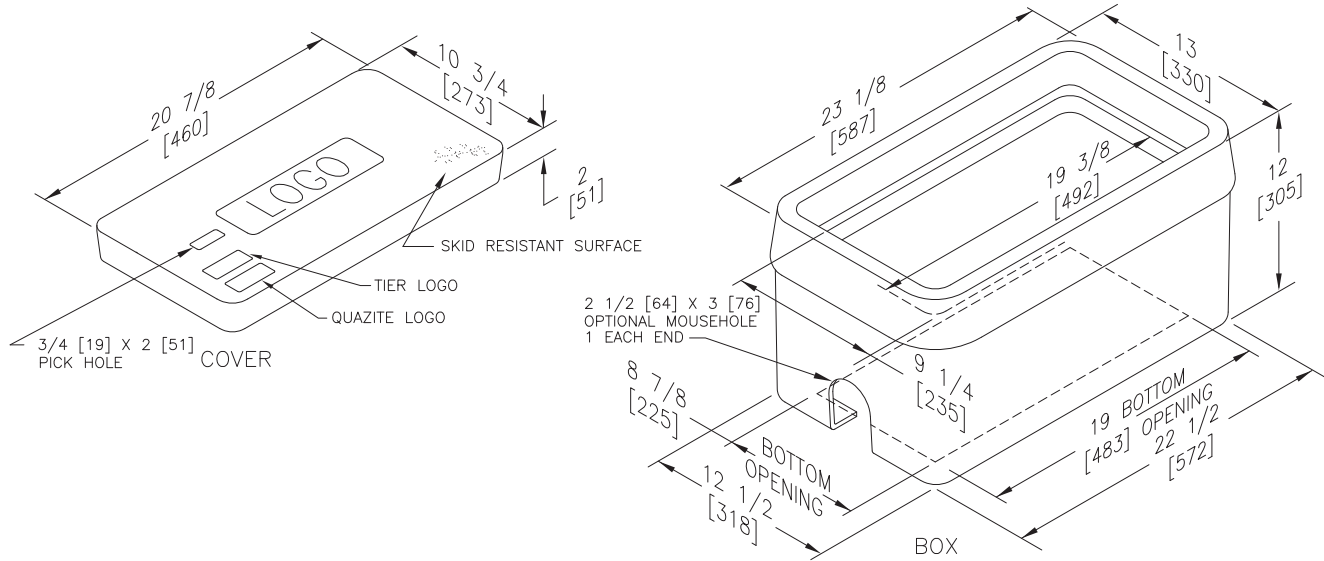
DESCRIPTION	DEPTH	TIER	DESIGN / TEST LOAD #	WEIGHT #	PALLET QTY	PART NO.
Standard Open Bottom	12"	8	8,000 / 12,000	25	50	B10111812A
	18"		8,000 / 12,000	29	40	B10111818A
	12"	15	15,000 / 22,500	28	50	B12111812A
	18"		15,000 / 22,500	32	40	B12111818A
	12"	22	22,500 / 33,750	28	50	B19111812A
	18"		22,500 / 33,750	32	40	B19111818A

To order boxes with two standard mouseholes, replace the last character with "M".
To order gasketed boxes, replace the last character with "G".
Gaskets reduce the inflow of fluids but do not make the enclosure water tight.
NOTE: Cover rating cannot exceed box rating.

11" x 21" FRP Straight Wall

Dimensions / Data

Penta Head Bolts are Standard



Covers

DESCRIPTION	TIER	DESIGN / TEST LOAD #	WEIGHT #	PALLET QTY	PART NO.
No Bolts	8	8,000 / 12,000	27	100	C00112102A***
No Bolts	15	15,000 / 22,500	27	100	C02112102A***
No Bolts, w/ CI Reader, Under 90	5*	5,000 / 7,500	32	100	C08112102D009

Replace *** with a logo code found on page 146. See page 149 for other meter lid and touch/radio read cover options.
* CI Reader covers also available in Tier 8.

Boxes

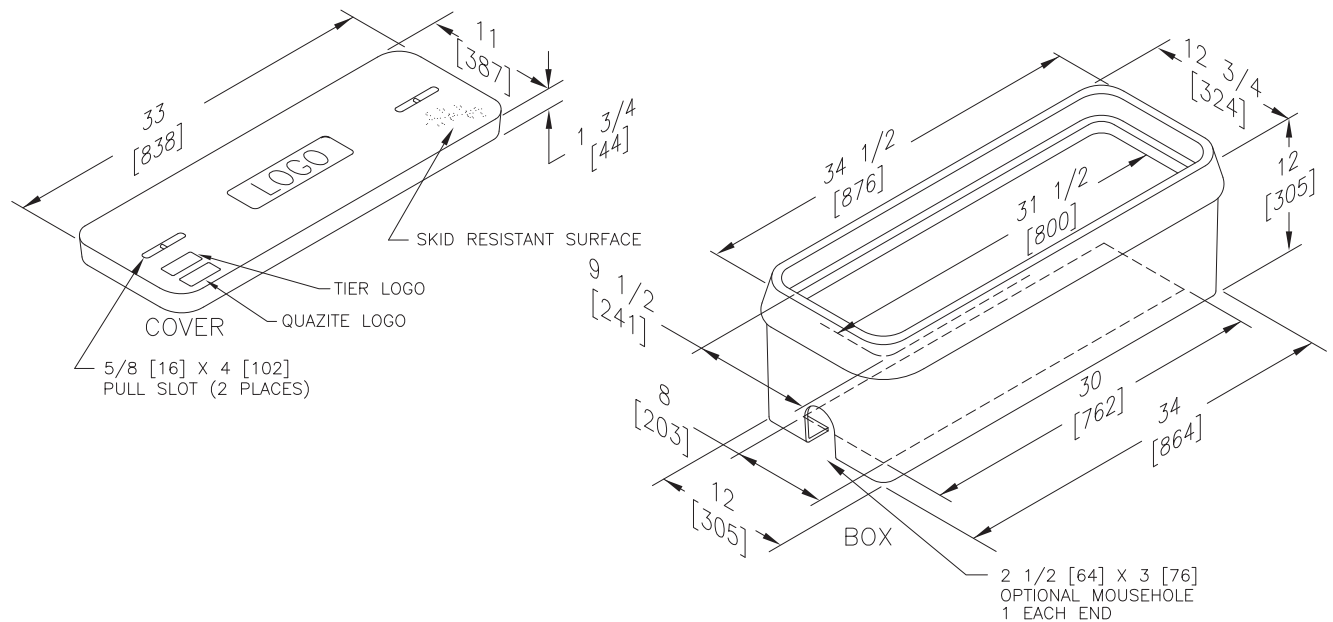
DESCRIPTION	DEPTH	TIER	DESIGN / TEST LOAD #	WEIGHT #	PALLET QTY	PART NO.
Standard Open Bottom	12"	8	8,000 / 12,000	30	25	B03112112A
	12"	15	15,000 / 22,500	34	25	B04112112A
Solid Bottom	12"	8	8,000 / 12,000	32	25	B03112112B
	12"	15	15,000 / 22,500	36	25	B04112112B

To order boxes with two standard mouseholes, replace the last character with "M".

11" x 32" FRP Straight Wall

Dimensions / Data

Penta Head Bolts are Standard



Covers

DESCRIPTION	TIER	DESIGN / TEST LOAD #	WEIGHT #	PALLET QTY	PART NO.
No Bolts	8	8,000 / 12,000	40	100	C00113202A***
No Bolts	15	15,000 / 22,500	43	100	C02113202A***
No Bolts, w/ CI Reader, Under 90	5*	5,000 / 7,500	45	100	C08113202D009

Replace *** with a logo code found on page 146. See page 149 for other meter lid and touch/radio read cover options.
* CI Reader covers also available in Tier 8.

Boxes

DESCRIPTION	DEPTH	TIER	DESIGN / TEST LOAD #	WEIGHT #	PALLET QTY	PART NO.
Standard Open Bottom	12"	8	8,000 / 12,000	40	16	B03113212A
	12"	15	15,000 / 22,500	44	16	B04113212A
Solid Bottom	12"	8	8,000 / 12,000	42	16	B03113212B
	12"	15	15,000 / 22,500	46	16	B04113212B

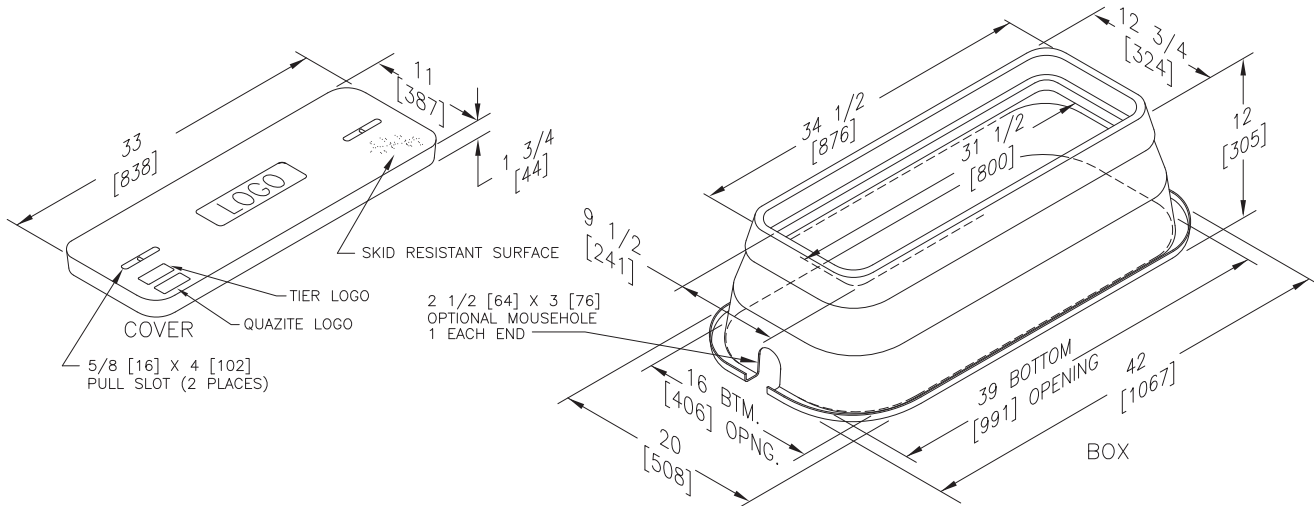
To order boxes with two standard mouseholes, replace the last character with "M".

QUAZITE FRP

11" x 32" Flared Wall Style FRP (Nestable) Assembly

Dimensions / Data

Penta Head Bolts are Standard



Covers

DESCRIPTION	TIER	DESIGN / TEST LOAD #	WEIGHT #	PALLET QTY	PART NO.
No Bolts	8	8,000 / 12,000	40	100	C00113202A***
No Bolts, w/ CI Reader, Under 90	5*	5,000 / 7,500	45	100	C08113202D009

Replace *** with a logo code found on page 146. See page 149 for other meter lid and touch/radio read cover options.
* CI Reader covers also available in Tier 8.

Boxes

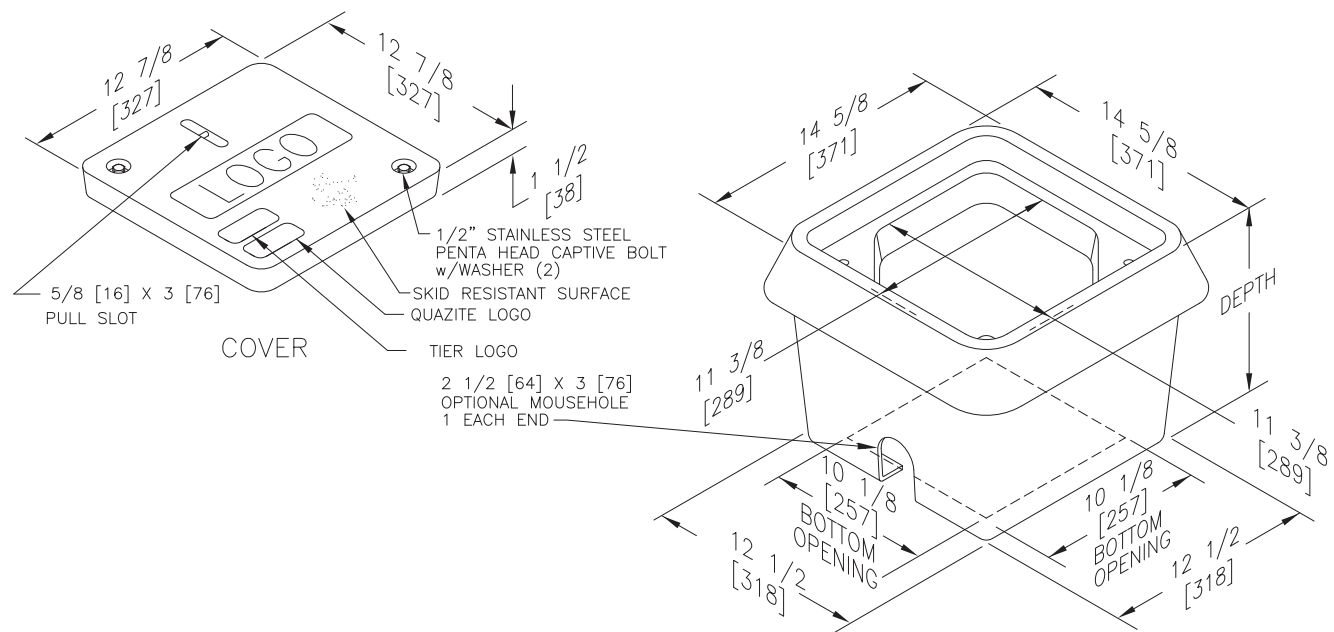
DESCRIPTION	DEPTH	TIER	DESIGN / TEST LOAD #	WEIGHT #	PALLET QTY	PART NO.
Standard Open Bottom	12"	8	8,000 / 12,000	40	16	B00113212A

To order boxes with two standard mouseholes, replace the last character with "M".

12" x 12" FRP Straight Wall Stackable

Dimensions / Data

Penta Head Bolts are Standard



Covers

DESCRIPTION	TIER	DESIGN / TEST LOAD #	WEIGHT #	PALLET QTY	PART NO.
W/ 2 Bolts	8	8,000 / 12,000	14	100	C10121202A***
W/ 2 Bolts	15	15,000 / 22,500	15	100	C12121202A***
No Bolts	8	8,000 / 12,000	14	100	C00121202A***
W/ 2 Bolts	22	22,500 / 33,750	15	100	C16121202A***

Replace *** with a logo code found on page 146.

Boxes

DESCRIPTION	DEPTH	TIER	DESIGN / TEST LOAD #	WEIGHT #	PALLET QTY	PART NO.
Standard Open Bottom	12"	8	8,000 / 12,000	26	30	B13121212A
	12"	15	15,000 / 22,500	30	30	B14121212A
	12"	22	22,500 / 33,750	30	30	B16121212A
Solid Bottom	12"	8	8,000 / 12,000	27	30	B13121212B
	12"	15	15,000 / 22,500	31	30	B14121212B
	12"	22	22,500 / 33,750	31	30	B16121212B

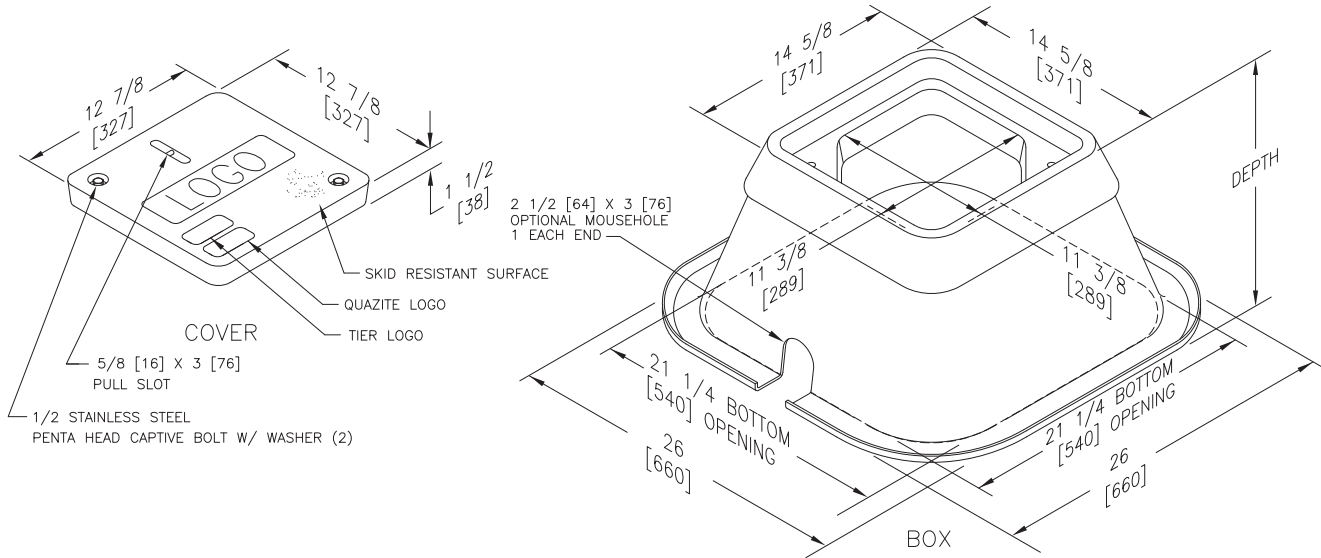
To order boxes with two standard mouseholes, replace the last character with "M".

To order gasketed boxes, replace the last character with "G".

NOTE: Gasket reduce the inflow of fluids but do not make the enclosure water tight.

QUAZITE FRP

Penta Head Bolts are Standard



Covers

DESCRIPTION	TIER	DESIGN / TEST LOAD #	WEIGHT #	PALLET QTY	PART NO.
W/ 2 Bolts	8	8,000 / 12,000	27	100	C10121202A***
W/ 2 Bolts	15	15,000 / 22,500	27	100	C12121202A***
No Bolts	8	8,000 / 12,000	27	100	C00121202A***

Replace *** with a logo code found on page 146.

Boxes

DESCRIPTION	DEPTH	TIER	DESIGN / TEST LOAD #	WEIGHT #	PALLET QTY	PART NO.
Standard Open Bottom	12"	8	8,000 / 12,000	28	10	B10121212A
	24"		8,000 / 12,000	45	10	B10121224A
	12"	15	15,000 / 22,500	32	10	B12121212A
	24"		15,000 / 22,500	51	10	B12121224A

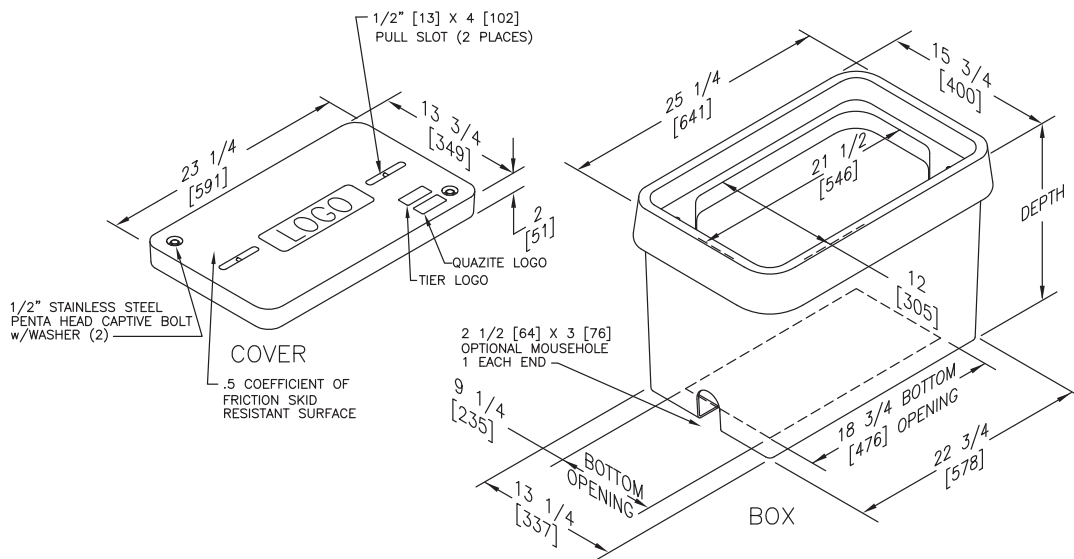
To order boxes with two standard mouseholes, replace the last character with "M".
 To order gasketed boxes, replace the last character with "G".
 Gaskets reduce the inflow of fluids but do not make the enclosure water tight.
 NOTE: Cover rating cannot exceed box rating.

QUAZITE FRP

13" x 24" FRP Straight Wall Stackable

Dimensions / Data

Penta Head Bolts are Standard



Covers

DESCRIPTION	TIER	DESIGN / TEST LOAD #	WEIGHT #	PALLET QTY	PART NO.
W/ 2 Bolts	8	8,000 / 12,000	26	50	C10132402A***
W/ 2 Bolts	15	15,000 / 22,500	40	50	C12132402A***
No Bolts	8	8,000 / 12,000	26	50	C00132402A***
W/ 2 Bolts	22	22,500 / 33,750	40	50	C16132402A***
No Bolts, w/ CI Reader, Under 90	5*	5,000 / 7,500	30	50	C08132402D009

Replace *** with a logo code found on page 146. See page 149 for other meter lid and touch/radio read cover options.

* CI Reader covers also available in Tier 8.

Boxes

DESCRIPTION	DEPTH	TIER	DESIGN / TEST LOAD #	WEIGHT #	PALLET QTY	PART NO.
Standard Open Bottom	12"	8	8,000 / 12,000	38	20	B13132412A
	18"			44	16	B13132418A
	12"	15	15,000 / 22,500	42	20	B14132412A
	18"			50	16	B14132418A
Solid Bottom	12"	8	8,000 / 12,000	42	20	B16132412A
	12"			40	20	B13132412B
	18"	15	15,000 / 22,500	46	16	B13132418B
	12"			44	20	B14132412B
	18"	22	22,500 / 33,750	52	16	B14132418B
	12"			44	20	B16132412B

To order boxes with two standard mouseholes, replace the last character with "M".

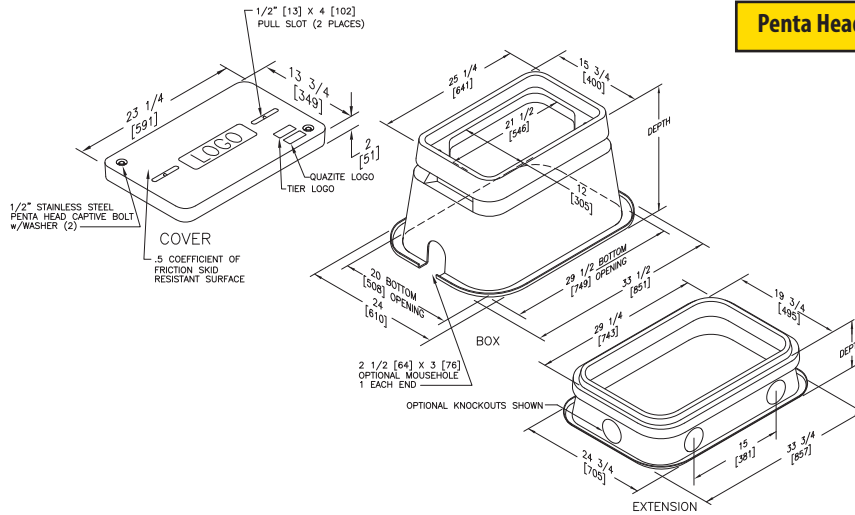
To order gasketed boxes, replace the last character with "G".

Gasket reduce the inflow of fluids but do not make the enclosure water tight.

NOTE: Cover rating cannot exceed box rating.

13" x 24" Flared Wall Style FRP (Nestable) Assembly

Dimensions / Data



Penta Head Bolts are Standard

Covers

DESCRIPTION	TIER	DESIGN / TEST LOAD #	WEIGHT #	PALLET QTY	PART NO.
W/ 2 Bolts	8	8,000 / 12,000	26	50	C10132402A***
W/ 2 Bolts	15	15,000 / 22,500	40	50	C12132402A***
No Bolts	8	8,000 / 12,000	26	50	C00132402A***
W/ 2 Bolts	22	22,500 / 33,750	40	50	C16132402A***
No Bolts, w/ CI Reader, Under 90	5*	5,000 / 7,500	30	50	C08132402D009

Replace *** with a logo code found on page 146. See page 149 for other meter lid and touch/radio read cover options.
* CI Reader covers also available in Tier 8.

Boxes

DESCRIPTION	DEPTH	TIER	DESIGN / TEST LOAD #	WEIGHT #	PALLET QTY	PART NO.	
Standard Open Bottom	12"	8	8,000 / 12,000	38	16	B10132412A	
	18"		8,000 / 12,000	44	16	B10132418A	
	24"		8,000 / 12,000	52	10	B10132424A	
	12"	15	15,000 / 22,500	42	16	B12132412A	
	18"		15,000 / 22,500	50	16	B12132418A	
	24"		15,000 / 22,500	58	10	B12132424A	
	12"		22	22,500 / 33,750	42	16	B19132412A
	18"			22,500 / 33,750	50	16	B19132418A
24"	22,500 / 33,750	58		10	B19132424A		

To order boxes with two standard mouseholes, replace the last character with "M".
To order gasketed boxes, replace the last character with "G".
Gaskets reduce the inflow of fluids but do not make the enclosure water tight.
NOTE: Cover rating cannot exceed box rating.

Bottom Extensions

DESCRIPTION	DEPTH	TIER	DESIGN / TEST LOAD #	WEIGHT #	PALLET QTY	PART NO.
8" Tier 8	8"	8	8,000 / 12,000	33	12	E00132408A
8" Tier 15	8"	15	15,000 / 22,500	38	12	E02132408A

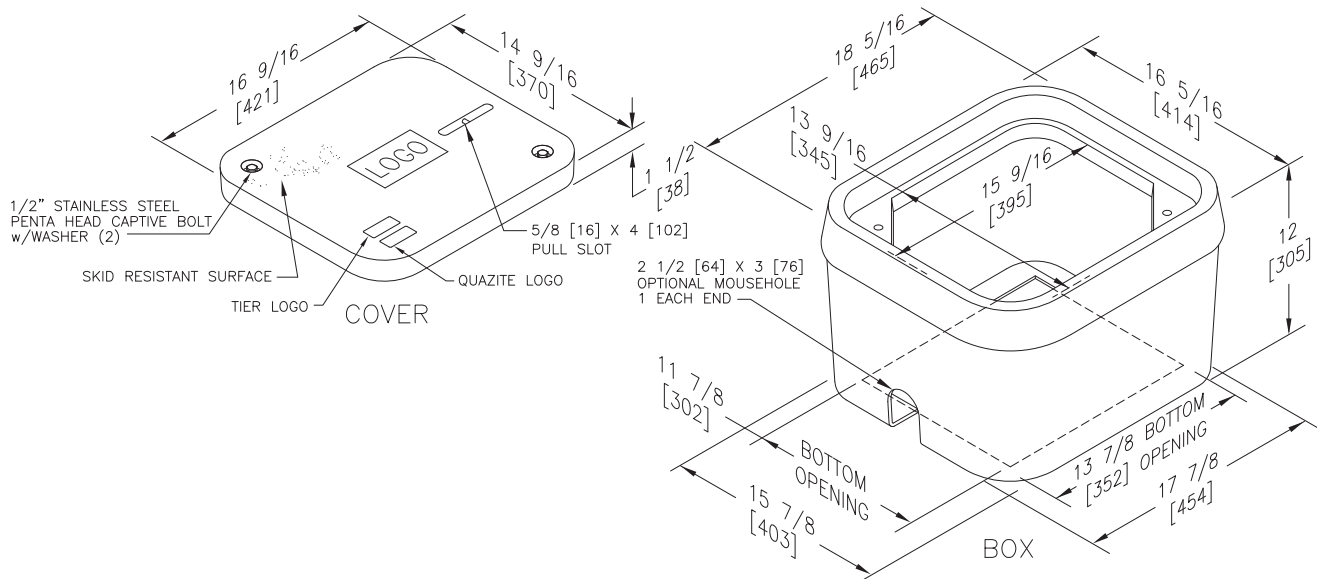
To order boxes with two standard mouseholes, replace the last character with "M".
To order gasketed boxes, replace the last character with "G".

QUAZITE FRP

15" x 17" FRP Straight Wall

Dimensions / Data

Penta Head Bolts are Standard



Covers

DESCRIPTION	TIER	DESIGN / TEST LOAD #	WEIGHT #	PALLET QTY	PART NO.
W/ 2 Bolts	8	8,000 / 12,000	22	100	C10151702A***
W/ 2 Bolts	15	15,000 / 22,500	25	100	C12151702A***
No Bolts	8	8,000 / 12,000	22	100	C00151702A***
No Bolts	15	15,000 / 22,500	25	100	C02151702A***
No Bolts, w/ CI Reader, Under 90	5*	5,000 / 7,500	30	100	C08151702F009

Replace *** with a logo code found on page 146. See page 149 for other meter lid and touch/radio read cover options.
* CI Reader covers also available in Tier 8.

Boxes

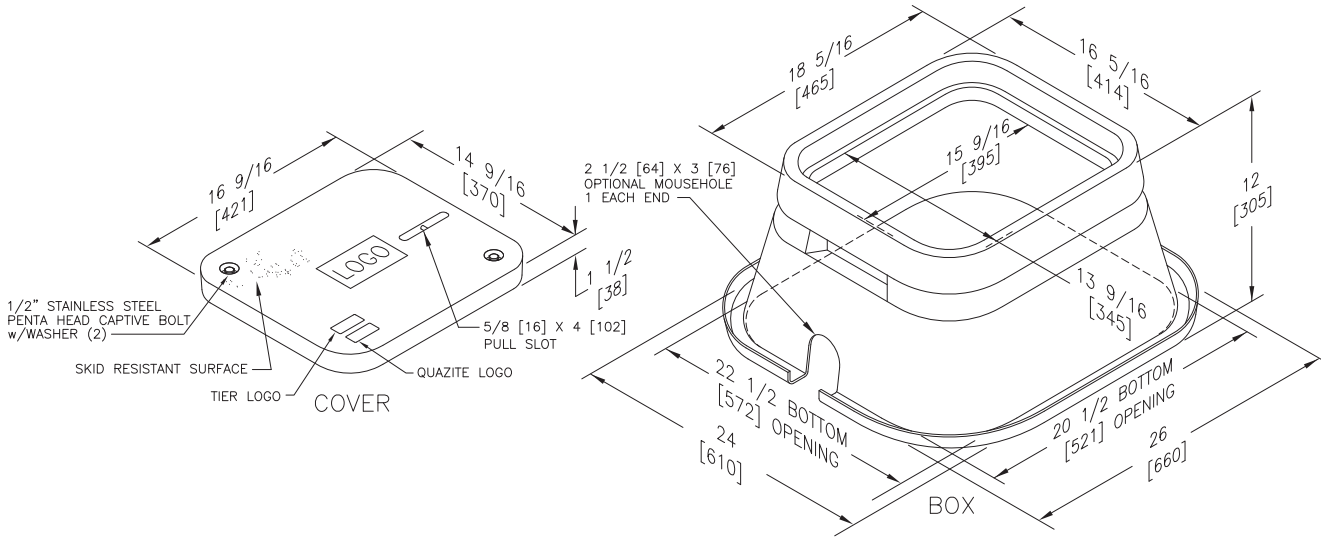
DESCRIPTION	DEPTH	TIER	DESIGN / TEST LOAD #	WEIGHT #	PALLET QTY	PART NO.
Standard Open Bottom	12"	8	8,000 / 12,000	24	20	B13151712A
	12"	15	15,000 / 22,500	28	20	B14151712A
Open Bottom, No Bolts	12"	8	8,000 / 12,000	24	20	B03151712A
	12"	15	15,000 / 22,500	28	20	B04151712A
Solid Bottom	12"	8	8,000 / 12,000	26	20	B13151712B
	12"	15	15,000 / 22,500	30	20	B14151712B

To order boxes with two standard mouseholes, replace the last character with "M".
To order gasketed boxes, replace the last character with "G".
Gasket reduce the inflow of fluids but do not make the enclosure water tight.
NOTE: Cover rating cannot exceed box rating.

QUAZITE FRP



Penta Head Bolts are Standard



Covers

DESCRIPTION	TIER	DESIGN / TEST LOAD #	WEIGHT #	PALLET QTY	PART NO.
W/ 2 Bolts	8	8,000 / 12,000	22	100	C10151702A***
W/ 2 Bolts	15	15,000 / 22,500	25	100	C12151702A***
No Bolts	8	8,000 / 12,000	22	100	C00151702A***
No Bolts, w/ CI Reader, Under 90	5*	5,000 / 7,500	27	100	C08151702F009

Replace *** with a logo code found on page 146. See page 149 for other meter lid and touch/radio read cover options.
 * CI Reader covers also available in Tier 8.

Boxes

DESCRIPTION	DEPTH	TIER	DESIGN / TEST LOAD #	WEIGHT #	PALLET QTY	PART NO.
Standard Open Bottom	12"	8	8,000 / 12,000	24	20	B10151712A
	12"	15	15,000 / 22,500	28	20	B12151712A

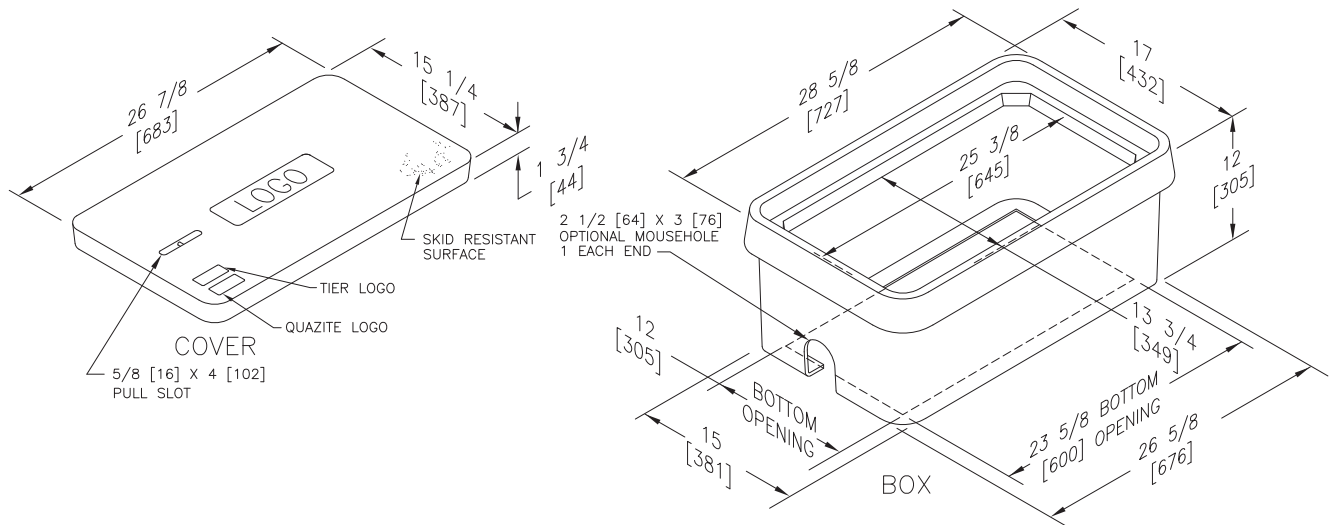
To order with 2 standard mouseholes, replace the last character with "M".
 To order gasketed boxes, replace the letter "A" with the letter "G".
 NOTE: Gasket reduce the inflow of fluids but do not make the enclosure water tight.
 NOTE: Cover rating cannot exceed box rating.

QUAZITE FRP

15" x 27" FRP Straight Wall Stackable

Dimensions / Data

Penta Head Bolts are Standard



Covers

DESCRIPTION	TIER	DESIGN / TEST LOAD #	WEIGHT #	PALLET QTY	PART NO.
No Bolts	8	8,000 / 12,000	22	50	C00152702A***
No Bolts, w/ CI Reader, Under 90	5	5,000 / 7,500	27	50	C08152702F009

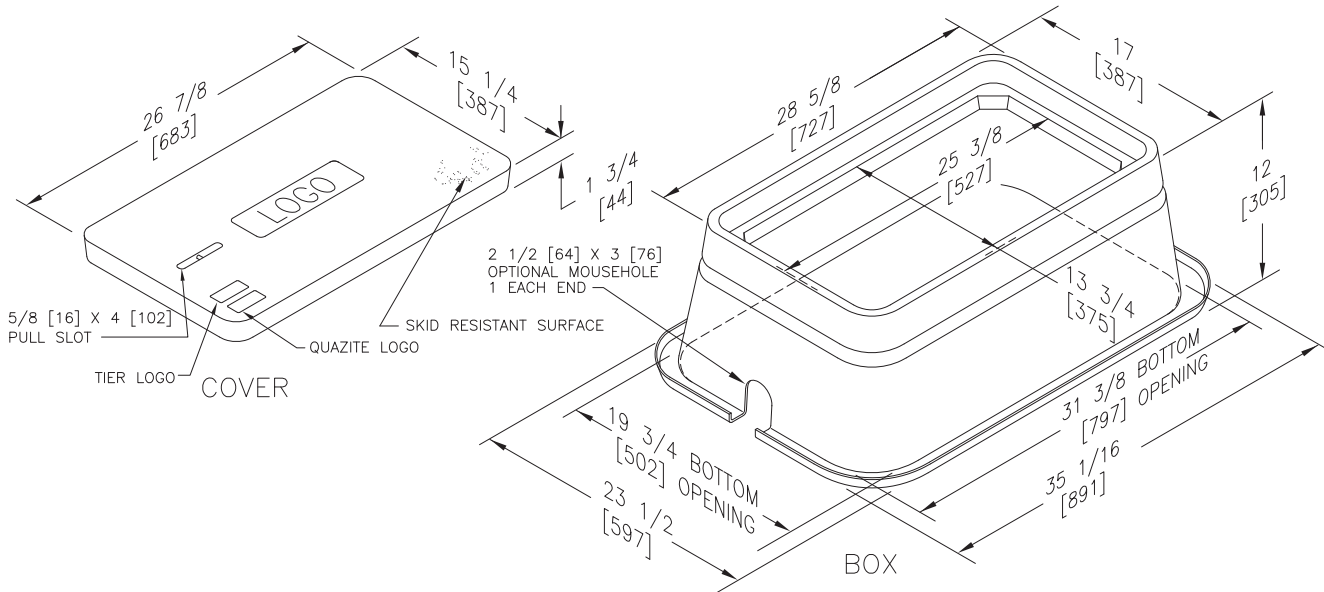
Replace *** with a logo code found on page 146. See page 149 for other meter lid and touch/radio read cover options.

Boxes

DESCRIPTION	DEPTH	TIER	DESIGN / TEST LOAD #	WEIGHT #	PALLET QTY	PART NO.
Standard Open Bottom	12"	8	8,000 / 12,000	32	10	B03152712A
Solid Bottom	12"	8	8,000 / 12,000	34	10	B03152712B

To order with two standard mouseholes, replace the last character with "M".
NOTE: Cover rating cannot exceed box rating.

Penta Head Bolts are Standard



Covers

DESCRIPTION	TIER	DESIGN / TEST LOAD #	WEIGHT #	PALLET QTY	PART NO.
No Bolts	8	8,000 / 12,000	22	50	C00152702A***
No Bolts, w/ CI Reader, Under 90	5	5,000 / 7,500	27	50	C08152702F009

Replace *** with a logo code found on page 146. See page 149 for other meter lid and touch/radio read cover options.

Boxes

DESCRIPTION	DEPTH	TIER	DESIGN / TEST LOAD #	WEIGHT #	PALLET QTY	PART NO.
Standard Open Bottom	12"	8	8,000 / 12,000	32	10	B00152712A

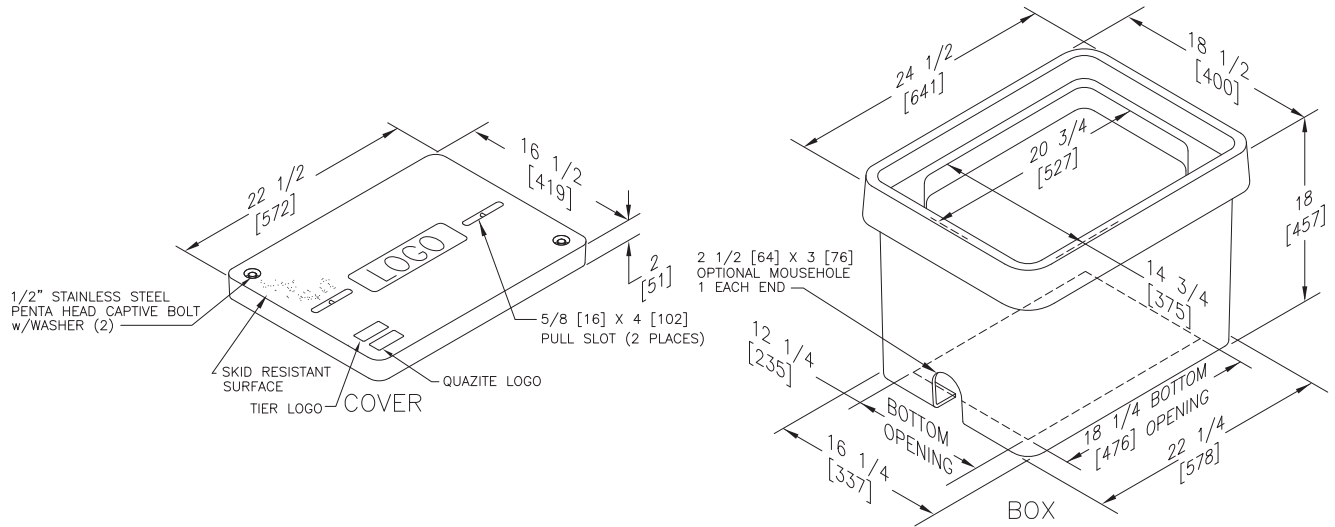
To order with two standard mouseholes, replace the last character with "M".
NOTE: Cover rating cannot exceed box rating.

QUAZITE FRP

16" x 22" FRP Straight Wall Stackable

Dimensions / Data

Penta Head Bolts are Standard



Covers

DESCRIPTION	TIER	DESIGN / TEST LOAD #	WEIGHT #	PALLET QTY	PART NO.
W/ 2 Bolts	8	8,000 / 12,000	29	50	C10162202A***
W/ 2 Bolts	15	15,000 / 22,500	34	50	C12162202A***
No Bolts	8	8,000 / 12,000	29	50	C00162202A***
No Bolts	15	15,000 / 22,500	34	50	C02162202A***

Replace *** with a logo code found on page 146. See page 149 for other meter lid and touch/radio read cover options.

Boxes

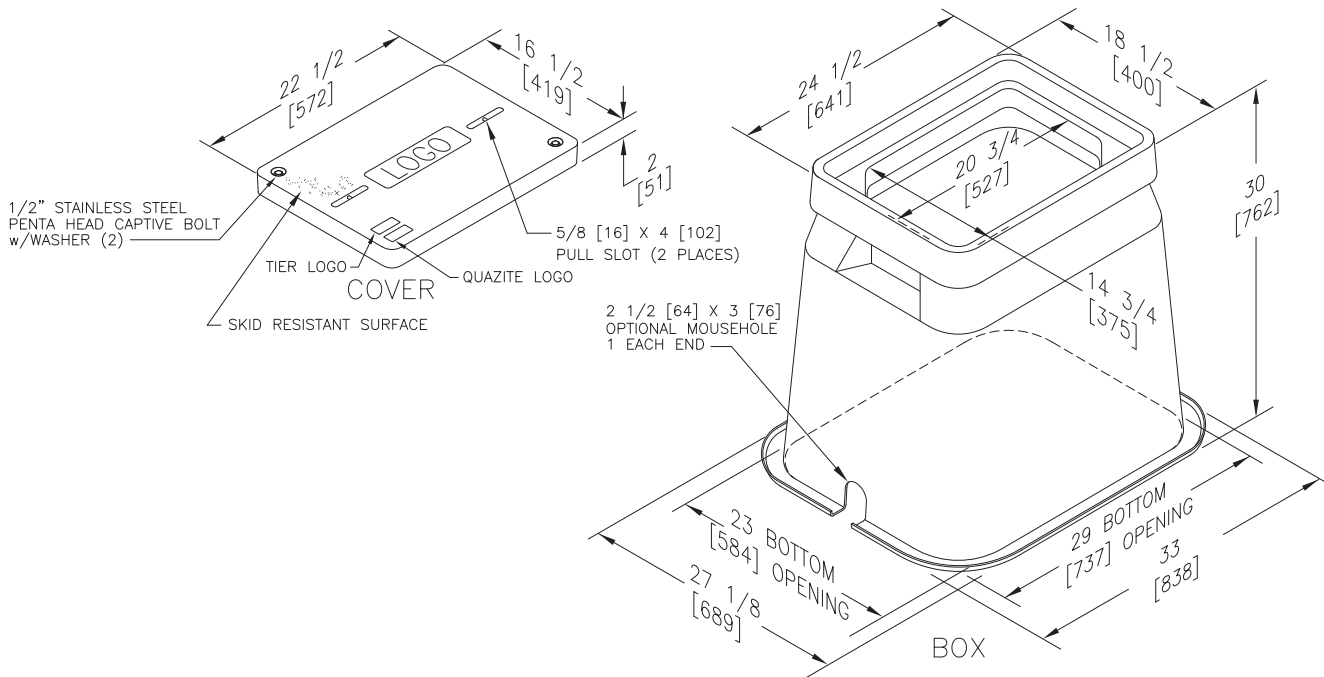
DESCRIPTION	DEPTH	TIER	DESIGN / TEST LOAD #	WEIGHT #	PALLET QTY	PART NO.
Standard Open Bottom	18"	8	8,000 / 12,000	42	9	B13162218A
	18"	15	15,000 / 22,500	52	9	B14162218A
No Bolts	18"	8	8,000 / 12,000	42	9	B03162218A
No Bolts	18"	15	15,000 / 22,500	42	9	B04162218A
Solid Bottom	18"	8	8,000 / 12,000	46	9	B13162218B
	18"	15	15,000 / 22,500	56	9	B14162218B
No Bolts	18"	8	8,000 / 12,000	42	9	B03162218B
No Bolts	18"	15	15,000 / 22,500	42	9	B04162218B

To order boxes with 2 standard mouseholes, replace the letter "A" with letter "B".

NOTE: Gasket reduce the inflow of fluids but do not make the enclosure water tight.

NOTE: Cover rating cannot exceed box rating.

Penta Head Bolts are Standard



Covers

DESCRIPTION	TIER	DESIGN / TEST LOAD #	WEIGHT #	PALLET QTY	PART NO.
W/ 2 Bolts	8	8,000 / 12,000	29	50	C10162202A***
W/ 2 Bolts	15	15,000 / 22,500	34	50	C12162202A***
No Bolts	8	8,000 / 12,000	29	50	C00162202A***
No Bolts	15	15,000 / 22,500	34	50	C02162202A***

Replace *** with a logo code found on page 146. See page 149 for other meter lid and touch/radio read cover options.

Boxes

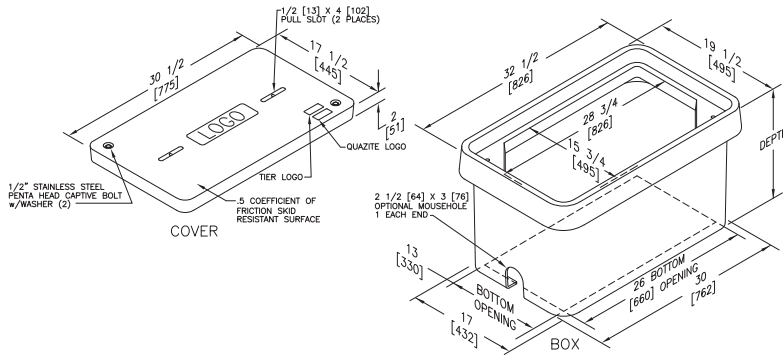
DESCRIPTION	DEPTH	TIER	DESIGN / TEST LOAD #	WEIGHT #	PALLET QTY	PART NO.
Standard Open Bottom	30"	8	8,000 / 12,000	66	10	B10162230A
	30"	15	15,000 / 22,500	76	10	B12162230A
No Bolt	30"	8	8,000 / 12,000	66	10	B00162230A
	30"	15	15,000 / 22,500	66	10	B02162230A

To order boxes with 2 standard mouseholes, replace the letter "A" with letter "B".
 NOTE: Gasket reduce the inflow of fluids but do not make the enclosure water tight.
 NOTE: Cover rating cannot exceed box rating.

QUAZITE FRP

17" x 30" FRP Straight Wall Stackable

Dimensions / Data



Penta Head Bolts are Standard

Covers

DESCRIPTION	TIER	DESIGN / TEST LOAD #	WEIGHT #	PALLET QTY	PART NO.
W/ 2 Bolts	8	8,000 / 12,000	27	50	C10173002A***
W/ 2 Bolts	15	15,000 / 22,500	27	50	C12173002A***
No Bolts	8	8,000 / 12,000	27	50	C00173002A***
No Bolts	15	15,000 / 22,500	27	50	C02173002A***
W/ 2 Bolts	22	22,500 / 33,750	27	50	C16173002A***
No Bolts, w/ CI Reader, Under 90	5	5,000 / 7,500	53	50	C08173003F009
No Bolts, w/ CI Reader, Under 90	8	8,000 / 12,000	53	50	C00173003F009

Replace *** with a logo code found on page 146. See page 149 for other meter lid and touch/radio read cover options. Available with EZ Locate. See page 148 for more information.

Boxes

DESCRIPTION	DEPTH	TIER	DESIGN / TEST LOAD #	WEIGHT #	PALLET QTY	PART NO.	
Standard Open Bottom	12"	8	8,000 / 12,000	46	10	B13173012A	
	18"		8,000 / 12,000	58	9	B13173018A	
	22"		8,000 / 12,000	68	8	B13173022A	
	30"		8,000 / 12,000	88	6	B13173030A	
	12"	15	15,000 / 22,500	50	10	B14173012A	
	18"		15,000 / 22,500	62	9	B14173018A	
	22"		15,000 / 22,500	74	8	B14173022A	
	30"		15,000 / 22,500	94	6	B14173030A	
	12"		22	22,500 / 33,750	50	10	B16173012A
	18"			22,500 / 33,750	62	9	B16173018A
Solid Bottom	12"	8	8,000 / 12,000	51	10	B13173012B	
	18"		8,000 / 12,000	63	9	B13173018B	
	22"		8,000 / 12,000	73	8	B13173022B	
	30"		8,000 / 12,000	93	6	B13173030B	
	12"	15	15,000 / 22,500	55	10	B14173012B	
	18"		15,000 / 22,500	67	9	B14173018B	
	22"		15,000 / 22,500	79	8	B14173022B	
	30"		15,000 / 22,500	99	6	B14173030B	
	12"		22	22,500 / 33,750	55	10	B16173012B
	18"			22,500 / 33,750	67	9	B16173018B

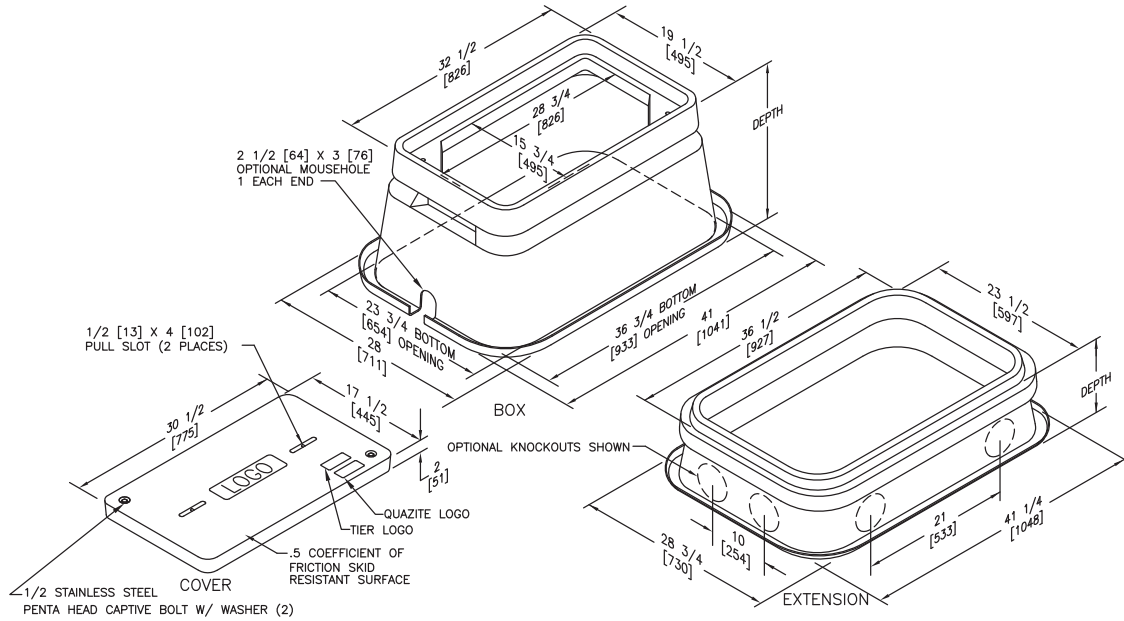
To order boxes with two standard mouseholes, replace the last character with "M". To order gasketed boxes, replace the last character with "G". NOTE: Gaskets reduce the inflow of fluids but do not make the enclosure water tight. NOTE: Cover rating cannot exceed box rating.

QUAZITE FRP

17" x 30" Flared Wall Style FRP (Nestable) Assembly

Dimensions / Data

Penta Head Bolts are Standard



Covers

DESCRIPTION	TIER	DESIGN / TEST LOAD #	WEIGHT #	PALLET QTY	PART NO.
W/ 2 Bolts	8	8,000 / 12,000	47	50	C10173002A***
W/ 2 Bolts	15	15,000 / 22,500	51	50	C12173002A***
No Bolts	8	8,000 / 12,000	47	50	C00173002A***
No Bolts	15	15,000 / 22,500	51	50	C02173002A***
W/ 2 Bolts	22	22,500 / 33,750	51	50	C16173002A***
No Bolts, w/ CI Reader, Under 90	5	5,000 / 7,500	53	50	C08173003F009
No Bolts, w/ CI Reader, Under 90	8	8,000 / 12,000	53	50	C00173003F009

Replace *** with a logo code found on page 146. See page 149 for other meter lid and touch/radio read cover options.

QUAZITE FRP

17" x 30" Flared Wall Style FRP (Nestable) Assembly

Dimensions / Data

Penta Head Bolts are Standard

Boxes

DESCRIPTION	DEPTH	TIER	DESIGN / TEST LOAD #	WEIGHT #	PALLET QTY	PART NO.
Standard Open Bottom	12"	8	8,000 / 12,000	46	10	B10173012A
	18"		8,000 / 12,000	58	10	B10173018A
	22"		8,000 / 12,000	68	10	B10173022A
	24"		8,000 / 12,000	78	10	B10173024A
	30"		8,000 / 12,000	88	10	B10173030A
	34"		8,000 / 12,000	96	8	B10173034A
	12"	15	15,000 / 22,500	50	10	B12173012A
	18"		15,000 / 22,500	64	10	B12173018A
	22"		15,000 / 22,500	74	10	B12173022A
	24"		15,000 / 22,500	84	10	B12173024A
	30"		15,000 / 22,500	94	10	B12173030A
	34"		15,000 / 22,500	102	8	B12173034A
	12"	22	22,500 / 33,750	50	10	B19173012A
	18"		22,500 / 33,750	64	10	B19173018A
	22"		22,500 / 33,750	74	10	B19173022A
	24"		22,500 / 33,750	84	10	B19173024A
	30"		22,500 / 33,750	94	10	B19173030A

To order boxes with two standard mouseholes, replace the last character with "M".
 To order gasketed boxes, replace the last character with "G".
 Gaskets reduce the inflow of fluids but do not make the enclosure water tight.
 NOTE: Cover rating cannot exceed box rating.

Bottom Extensions

DESCRIPTION	DEPTH	TIER	DESIGN / TEST LOAD #	WEIGHT #	PALLET QTY	PART NO.
8" Tier 8	8"	8	8,000 / 12,000	39	12	E00173008A
8" Tier 15	8"	15	15,000 / 22,500	45	12	E02173008A
16" Tier 8	16"	8	8,000 / 12,000	42	8	E00173016A
16" Tier 15	16"	15	15,000 / 22,500	48	8	E02173016A

To order boxes with two standard mouseholes, replace the last character with "M".
 To order gasketed boxes, replace the last character with "G".

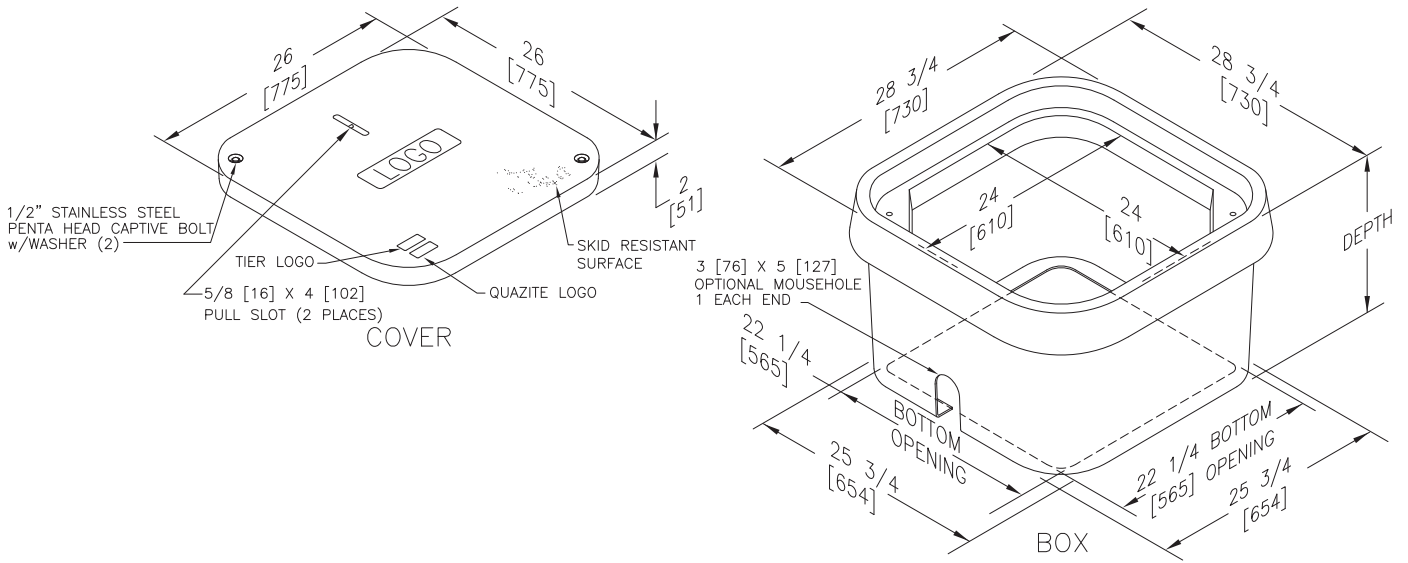
QUAZITE FRP



24" x 24" FRP Straight Wall Stackable

Dimensions / Data

Penta Head Bolts are Standard



Covers

DESCRIPTION	TIER	DESIGN / TEST LOAD #	WEIGHT #	PALLET QTY	PART NO.
W/ 2 Bolts	8	8,000 / 12,000	70	20	C10242402A***
W/ 2 Bolts	15	15,000 / 22,500	100	20	C12242402A***
No Bolts	8	8,000 / 12,000	70	20	C00242402A***
W/ 2 Bolts	22	22,500 / 33,750	100	20	C16242402A***

Replace *** with a logo code found on page 146. See page 149 for other meter lid and touch/radio read cover options.

QUAZITE FRP

24" x 24" FRP Straight Wall Stackable

Dimensions / Data

Penta Head Bolts are Standard

Boxes								
DESCRIPTION	DEPTH	TIER	DESIGN / TEST LOAD #	WEIGHT #	PALLET QTY	PART NO.		
Standard Open Bottom	12"	8	8,000 / 12,000	74	9	B13242412A		
	18"		8,000 / 12,000	78	5	B13242418A		
	24"		8,000 / 12,000	83	5	B13242424A		
	Standard Open Bottom	12"	15	15,000 / 22,500	77	9	B14242412A	
		18"		15,000 / 22,500	84	5	B14242418A	
		24"		15,000 / 22,500	92	5	B14242424A	
	Standard Open Bottom	12"	22	22,500 / 33,750	77	9	B16242412A	
		18"		22,500 / 33,750	84	5	B16242418A	
		24"		22,500 / 33,750	92	5	B16242424A	
Solid Bottom		12"	8	8,000 / 12,000	81	9	B13242412B	
		18"		8,000 / 12,000	85	5	B13242418B	
		24"		8,000 / 12,000	90	5	B13242424B	
		Solid Bottom	12"	15	15,000 / 22,500	84	9	B14242412B
			18"		15,000 / 22,500	91	5	B14242418B
			24"		15,000 / 22,500	99	5	B14242424B
	Solid Bottom	12"	22	22,500 / 33,750	84	9	B16242412B	
		18"		22,500 / 33,750	91	5	B16242418B	
		24"		22,500 / 33,750	99	5	B16242424B	

To order boxes with two standard mouseholes, replace the last character with "M".
 To order gasketed boxes, replace the last character with "G".
 NOTE: Gasket reduce the inflow of fluids but do not make the enclosure water tight.
 NOTE: Cover rating cannot exceed box rating.

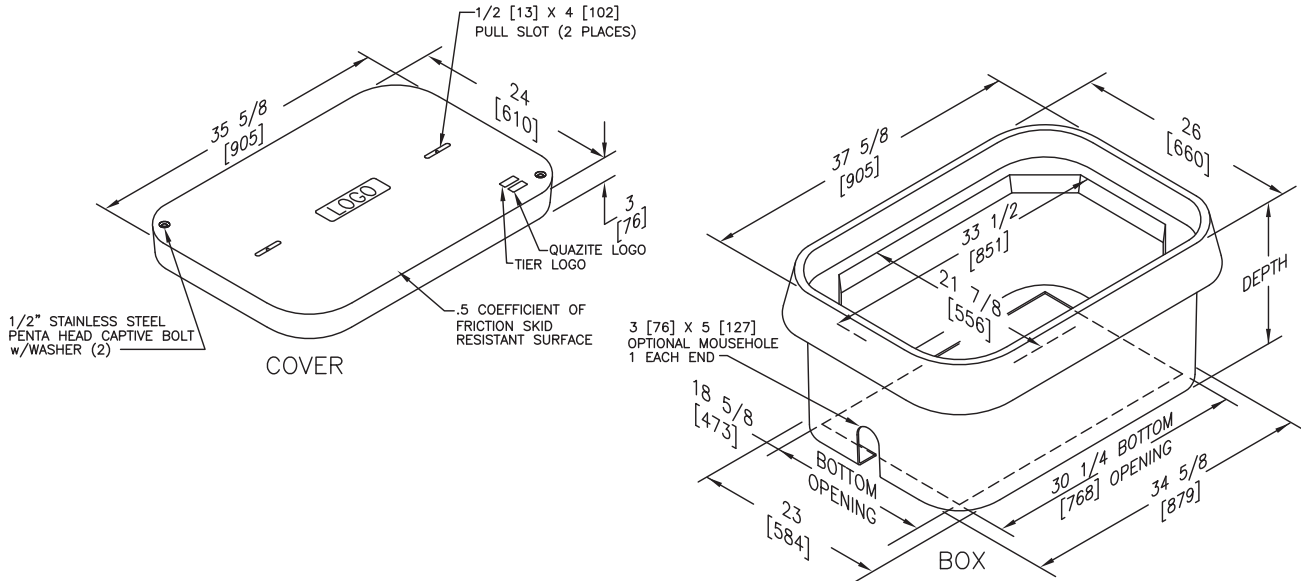
QUAZITE FRP



24" x 36" FRP Straight Wall Stackable

Dimensions / Data

Penta Head Bolts are Standard



Covers

DESCRIPTION	TIER	DESIGN / TEST LOAD #	WEIGHT #	PALLET QTY	PART NO.
W/ 2 Bolts	8	8,000 / 12,000	86	20	C10243603A***
W/ 2 Bolts	15	15,000 / 22,500	94	20	C12243603A***
No Bolts	8	8,000 / 12,000	86	20	C00243603A***
W/ 2 Bolts	22	22,500 / 33,750	94	20	C16243603A***
No Bolts, w/ CI Reader, Under 90	5	5,000 / 7,500	89	20	C08243603F009
No Bolts, w/ CI Reader, Under 90	8	8,000 / 12,000	89	20	C00243603F009

Replace *** with a logo code found on page 146. See page 149 for other meter lid and touch/radio read cover options. Available with EZ Locate. See page 148 for more information.

24" x 36" FRP Straight Wall Stackable

Dimensions / Data

Penta Head Bolts are Standard

Boxes

DESCRIPTION	DEPTH	TIER	DESIGN / TEST LOAD #	WEIGHT #	PALLET QTY	PART NO.	
Standard Open Bottom	18"	8	8,000 / 12,000	100	6	B13243618A	
	24"		8,000 / 12,000	109	5	B13243624A	
	30"		8,000 / 12,000	118	4	B13243630A	
		18"	15	15,000 / 22,500	105	6	B14243618A
		24"		15,000 / 22,500	114	5	B14243624A
		30"		15,000 / 22,500	123	4	B14243630A
		18"	22	22,500 / 33,750	105	6	B16243618A
		24"		22,500 / 33,750	114	5	B16243624A
		30"		22,500 / 33,750	123	4	B16243630A
Solid Bottom	18"	8	8,000 / 12,000	107	6	B13243618B	
	24"		8,000 / 12,000	116	5	B13243624B	
	30"		8,000 / 12,000	125	4	B13243630B	
		18"	15	15,000 / 22,500	112	6	B14243618B
		24"		15,000 / 22,500	121	5	B14243624B
		30"		15,000 / 22,500	130	4	B14243630B
		18"	22	22,500 / 33,750	112	6	B16243618B
		24"		22,500 / 33,750	121	5	B16243624B
		30"		22,500 / 33,750	130	4	B16243630B

To order boxes with two standard mouseholes, replace the last character with "M". To order gasketed boxes, replace the last character with "G".

NOTE: Gasket reduce the inflow of fluids but do not make the enclosure water tight.

NOTE: Cover rating cannot exceed box rating.

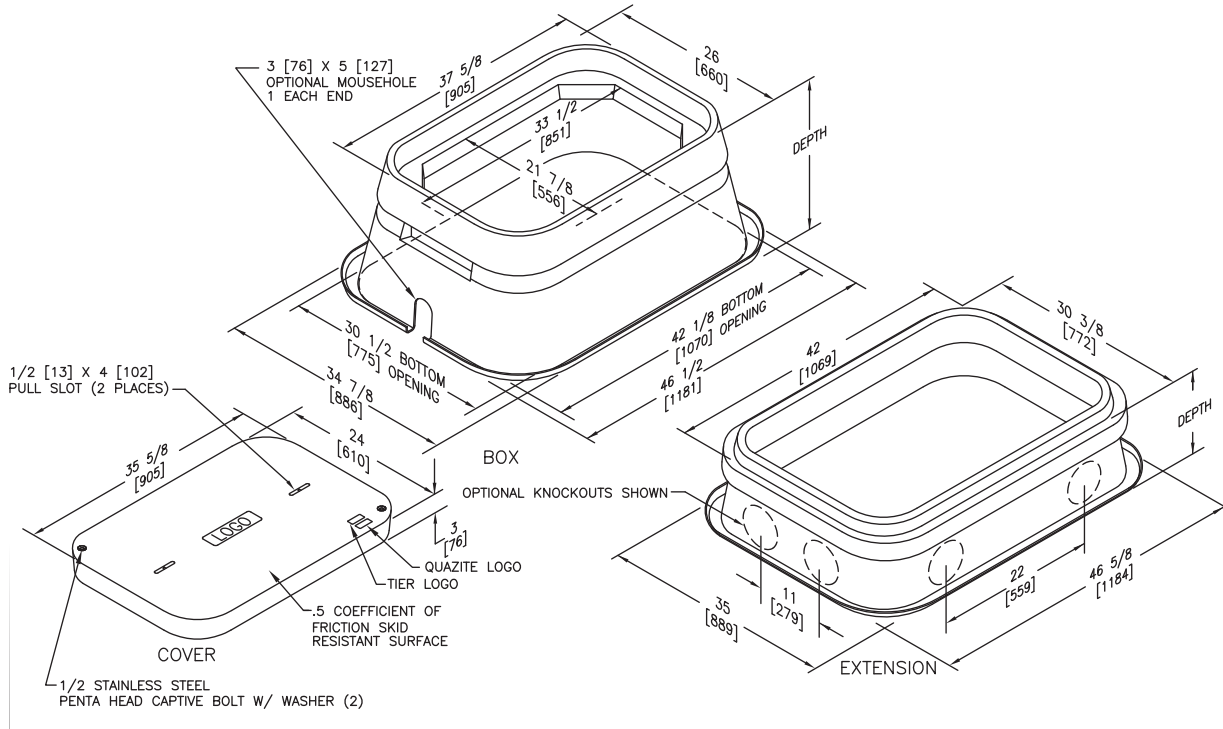
QUAZITE FRP



24" x 36" Flared Wall Style FRP (Nestable) Assembly

Dimensions / Data

Penta Head Bolts are Standard



Covers

DESCRIPTION	TIER	DESIGN / TEST LOAD #	WEIGHT #	PALLET QTY	PART NO.
W/ 2 Bolts	8	8,000 / 12,000	86	20	C10243603A***
W/ 2 Bolts	15	15,000 / 22,500	94	20	C12243603A***
No Bolts	8	8,000 / 12,000	86	20	C00243603A***
W/ 2 Bolts	22	22,500 / 33,750	94	20	C16243603A***
No Bolts, w/ CI Reader, Under 90	5	5,000 / 7,500	89	20	C08243603F009
No Bolts, w/ CI Reader, Under 90	8	8,000 / 12,000	89	20	C00243603F009

Replace *** with a logo code found on page 146. See page 149 for other meter lid and touch/radio read cover options.

QUAZITE FRP

24" x 36" Flared Wall Style FRP (Nestable) Assembly

Dimensions / Data

Penta Head Bolts are Standard

Boxes						
DESCRIPTION	DEPTH	TIER	DESIGN / TEST LOAD #	WEIGHT #	PALLET QTY	PART NO.
Standard Open Bottom	18"	8	8,000 / 12,000	100	5	B10243618A
	24"		8,000 / 12,000	109	5	B10243624A
	30"		8,000 / 12,000	118	5	B10243630A
	36"		8,000 / 12,000	124	4	B10243636A
	42"		8,000 / 12,000	127	3	B10243642A
	48"		8,000 / 12,000	133	3	B10243648A
	18"	15	15,000 / 22,500	105	5	B12243618A
	24"		15,000 / 22,500	114	5	B12243624A
	30"		15,000 / 22,500	123	5	B12243630A
	36"		15,000 / 22,500	129	4	B12243636A
	42"		15,000 / 22,500	132	3	B12243642A
	48"		15,000 / 22,500	138	3	B12243648A
	18"	22	22,500 / 33,750	105	5	B19243618A
	24"		22,500 / 33,750	114	5	B19243624A

To order boxes with two standard mouseholes, replace the last character with "M".
 To order gasketed boxes, replace the last character with "G".
 Gaskets reduce the inflow of fluids but do not make the enclosure water tight.
 NOTE: Cover rating cannot exceed box rating.

Bottom Extensions						
DESCRIPTION	DEPTH	TIER	DESIGN / TEST LOAD #	WEIGHT #	PALLET QTY	PART NO.
8" Tier 8	8"	8	8,000 / 12,000	46	6	E00243608A
8" Tier 15	8"	15	15,000 / 22,500	46	6	E02243608A
16" Tier 8	16"	8	8,000 / 12,000	55	5	E00243616A
16" Tier 15	16"	15	15,000 / 22,500	63	5	E02243616A

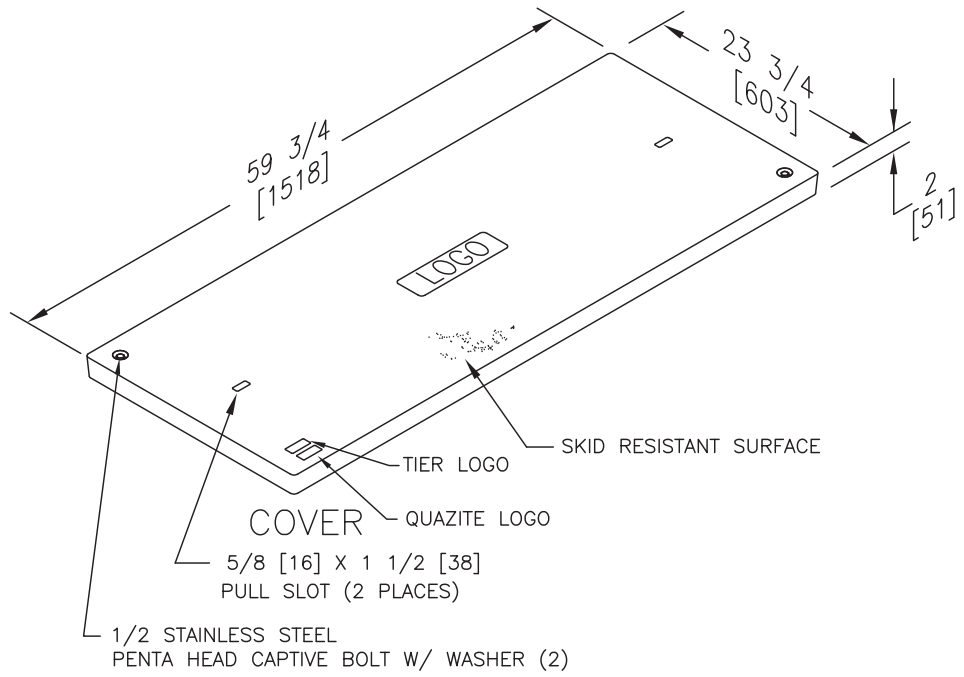
QUAZITE FRP



24" x 60" Flared Wall Style FRP (Nestable) Assembly

Dimensions / Data

Penta Head Bolts are Standard



QUAZITE FRP

Covers

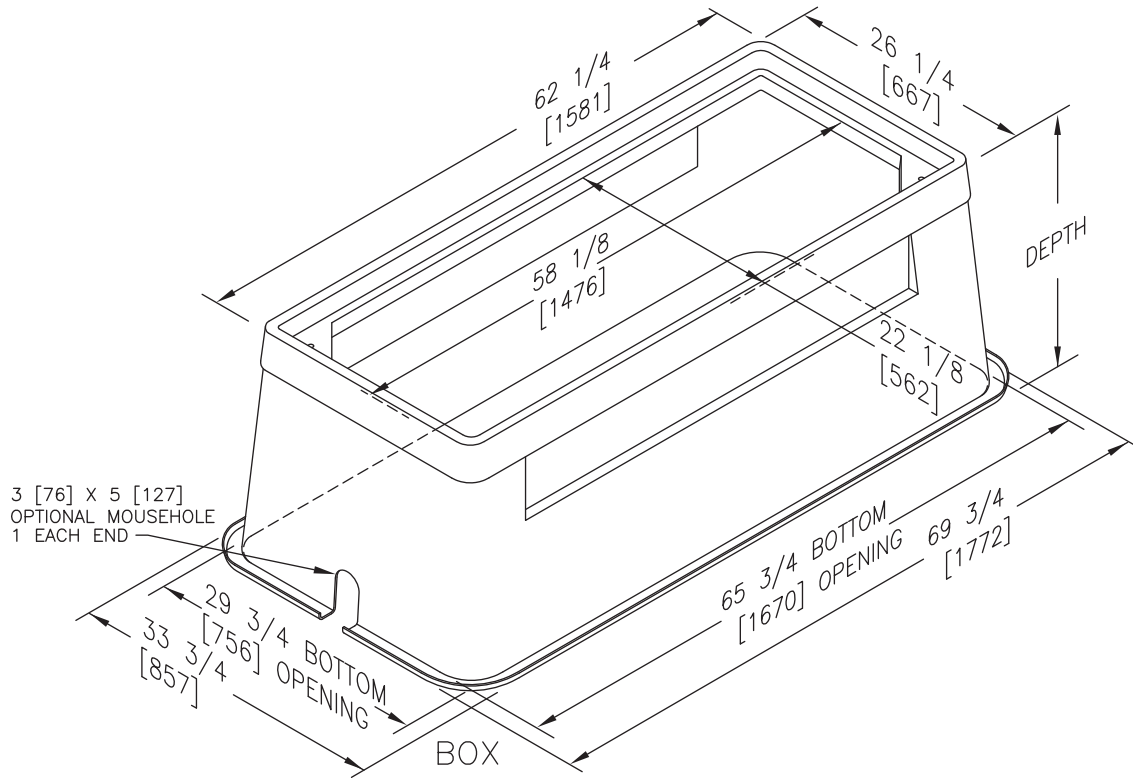
DESCRIPTION	TIER	DESIGN / TEST LOAD #	WEIGHT #	PALLET QTY	PART NO.
W/ 2 Bolts	5	5,000 / 7,500	65	10	C18246002A***
No Bolts	5	5,000 / 7,500	65	10	C08246002A***

Replace *** with a logo code found on page 146. See page 149 for other meter lid and touch/radio read cover options.

24" x 60" Flared Wall Style FRP (Nestable) Assembly

Dimensions / Data

Penta Head Bolts are Standard



Boxes

DESCRIPTION	DEPTH	TIER	DESIGN / TEST LOAD #	WEIGHT #	PALLET QTY	PART NO.
Standard Open Bottom	24"	5	5,000 / 7,500	115	5	B18246024A

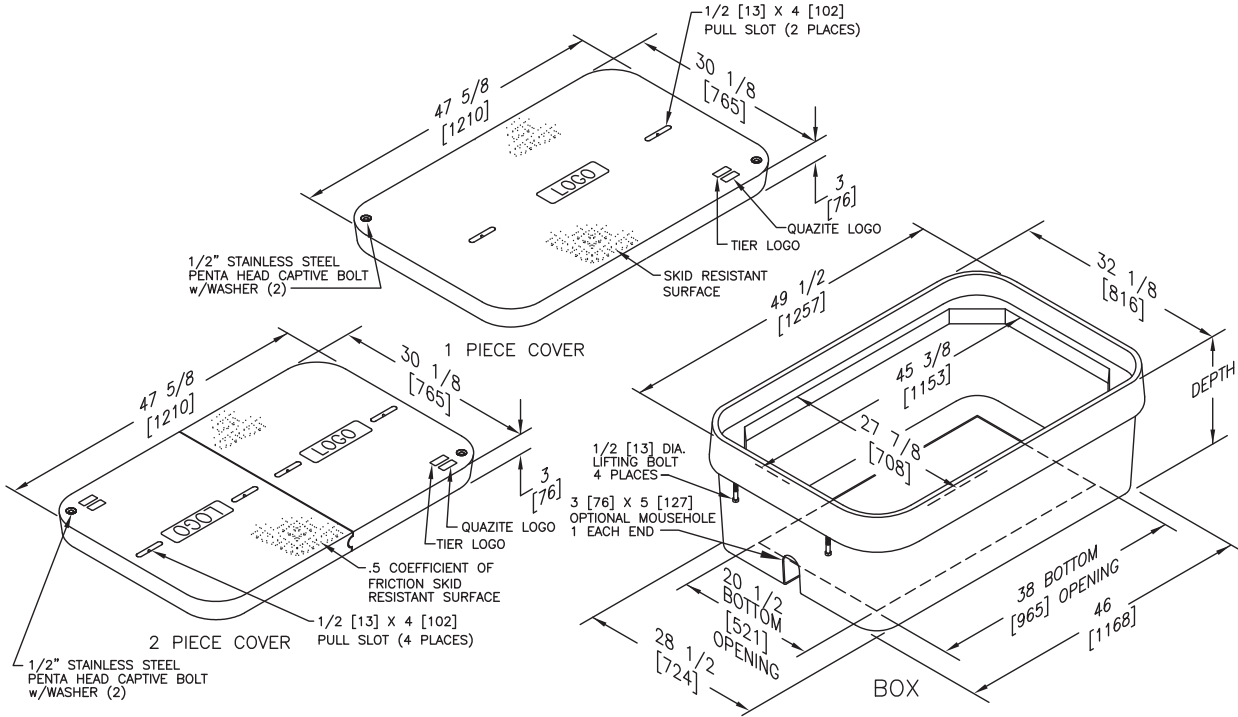
To order boxes with two standard mouse holes, replace the last character with "M".

To order gasketed boxes, replace the last character with "G".

Gaskets reduce the inflow of fluids but do not make the enclosure water tight.

NOTE: Cover rating cannot exceed box rating.

Penta Head Bolts are Standard



Covers

DESCRIPTION	TIER	DESIGN / TEST LOAD #	WEIGHT #	PALLET QTY	PART NO.
2 Piece w/ 2 Bolts	8	8,000 / 12,000	165	10	C10304803A***
2 Piece w/ 2 Bolts	15	15,000 / 22,500	225	10	C12304803A***
2 Piece No Bolts	8	8,000 / 12,000	165	10	C00304803A***
2 Piece w/ 2 Bolts	22	22,500 / 33,750	225	10	C16304803A***
1 Piece w/ 2 Bolts	8	8,000 / 12,000	165	10	C10304803Y***
1 Piece w/ 2 Bolts	15	15,000 / 22,500	225	10	C12304803Y***
No Bolts, w/ CI Reader, Under 90	5	5,000 / 7,500	168	10	C08304803F009
No Bolts, w/ CI Reader, Under 90	8	8,000 / 12,000	168	10	C00304803F009

Replace *** with a logo code found on page 146. See page 149 for other meter lid and touch/radio read cover options.

QUAZITE FRP

30" x 48" FRP Straight Wall Stackable

Dimensions / Data

Penta Head Bolts are Standard

Boxes						
DESCRIPTION	DEPTH	TIER	DESIGN / TEST LOAD #	WEIGHT #	PALLET QTY	PART NO.
Standard Open Bottom	18"	8	8,000 / 12,000	130	6	B13304818A
	24"		8,000 / 12,000	148	5	B13304824A
	36"		8,000 / 12,000	160	4	B13304836A
	18"	15	15,000 / 22,500	135	6	B14304818A
	24"		15,000 / 22,500	153	5	B14304824A
	36"		15,000 / 22,500	170	4	B14304836A
	18"	22	22,500 / 33,750	135	6	B16304818A
	24"		22,500 / 33,750	153	5	B16304824A
	36"		22,500 / 33,750	170	4	B16304836A
Solid Bottom	18"	8	8,000 / 12,000	140	6	B13304818B
	24"		8,000 / 12,000	158	5	B13304824B
	36"		8,000 / 12,000	170	4	B13304836B
	18"	15	15,000 / 22,500	140	6	B14304818B
	24"		15,000 / 22,500	158	5	B14304824B
	36"		15,000 / 22,500	170	4	B14304836B
	18"	22	22,500 / 33,750	140	6	B16304818B
	24"		22,500 / 33,750	158	5	B16304824B
	36"		22,500 / 33,750	170	4	B16304836B

To order boxes with two standard mouseholes, replace the last character with "M".

To order gasketed boxes, replace the last character with "G".

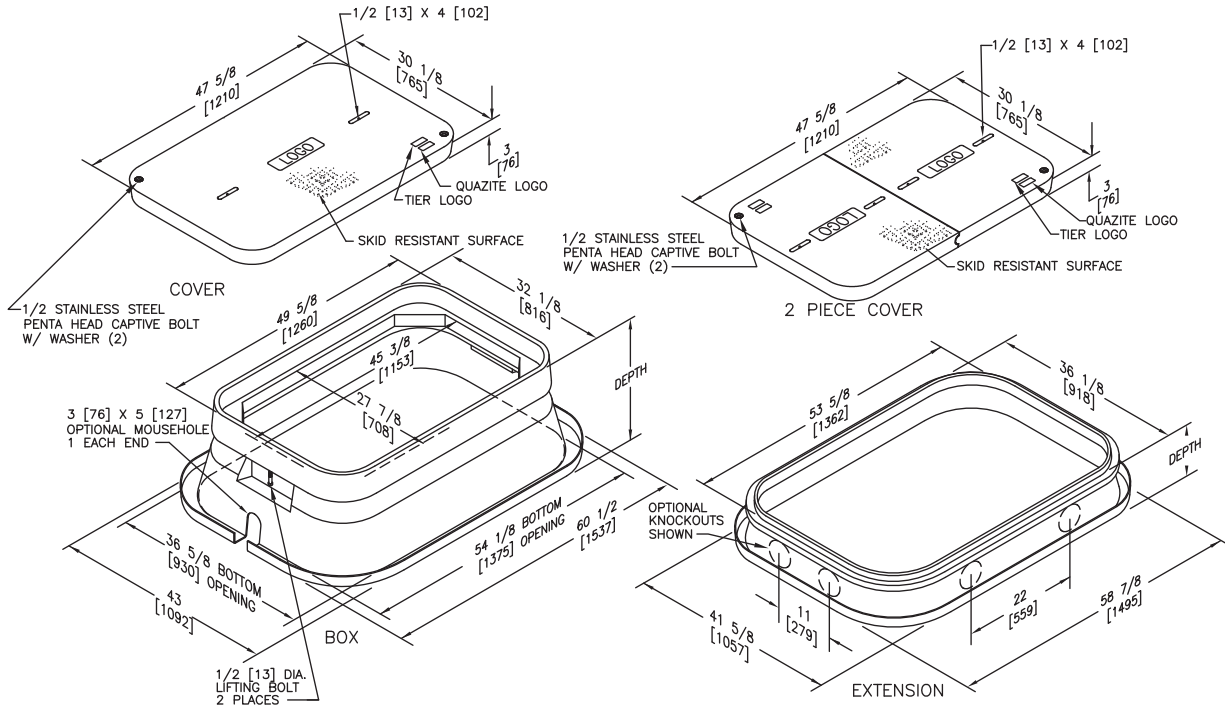
NOTE: Gasket reduce the inflow of fluids but do not make the enclosure water tight.

NOTE: Cover rating cannot exceed box rating.

30" x 48" Flared Wall Style FRP (Nestable) Assembly

Dimensions / Data

Penta Head Bolts are Standard



Covers

DESCRIPTION	TIER	DESIGN / TEST LOAD #	WEIGHT #	PALLET QTY	PART NO.
2 Piece w/ 2 Bolts	8	8,000 / 12,000	165	10	C10304803A***
2 Piece w/ 2 Bolts	15	15,000 / 22,500	225	10	C12304803A***
2 Piece w/ No Bolts	8	8,000 / 12,000	165	10	C00304803A***
2 Piece w/ 2 Bolts	22	22,500 / 33,750	225	10	C16304803A***
1 Piece w/ 2 Bolts	8	8,000 / 12,000	165	10	C10304803Y***
1 Piece w/ 2 Bolts	15	15,000 / 22,500	225	10	C12304803Y***
No Bolts, w/ CI Reader, Under 90	5	5,000 / 7,500	168	10	C08304803F009
No Bolts, w/ CI Reader, Under 90	8	8,000 / 12,000	168	10	C00304803F009

Replace *** with a logo code found on page 146. See page 149 for other meter lid and touch/radio read cover options.

QUAZITE FRP

30" x 48" Flared Wall Style FRP (Nestable) Assembly

Dimensions / Data

Penta Head Bolts are Standard

Boxes						
DESCRIPTION	DEPTH	TIER	DESIGN / TEST LOAD #	WEIGHT #	PALLET QTY	PART NO.
Standard Open Bottom	18"	8	8,000 / 12,000	145	5	B10304818A
	24"		8,000 / 12,000	155	5	B10304824A
	30"		8,000 / 12,000	175	5	B10304830A
	36"		8,000 / 12,000	190	4	B10304836A
	18"	15	15,000 / 22,500	150	5	B12304818A
	24"		15,000 / 22,500	160	5	B12304824A
	30"		15,000 / 22,500	180	5	B12304830A
	36"		15,000 / 22,500	200	4	B12304836A
	18"	22	22,500 / 33,750	150	5	B19304818A
	24"		22,500 / 33,750	160	5	B19304824A
	30"		22,500 / 33,750	180	5	B19304830A
	36"		22,500 / 33,750	200	4	B19304836A

To order boxes with two standard mouseholes, replace the last character with "M".

To order gasketed boxes, replace the last character with "G".

Gaskets reduce the inflow of fluids but do not make the enclosure water tight. One piece covers are recommended when using gaskets.

NOTE: Cover rating cannot exceed box rating.

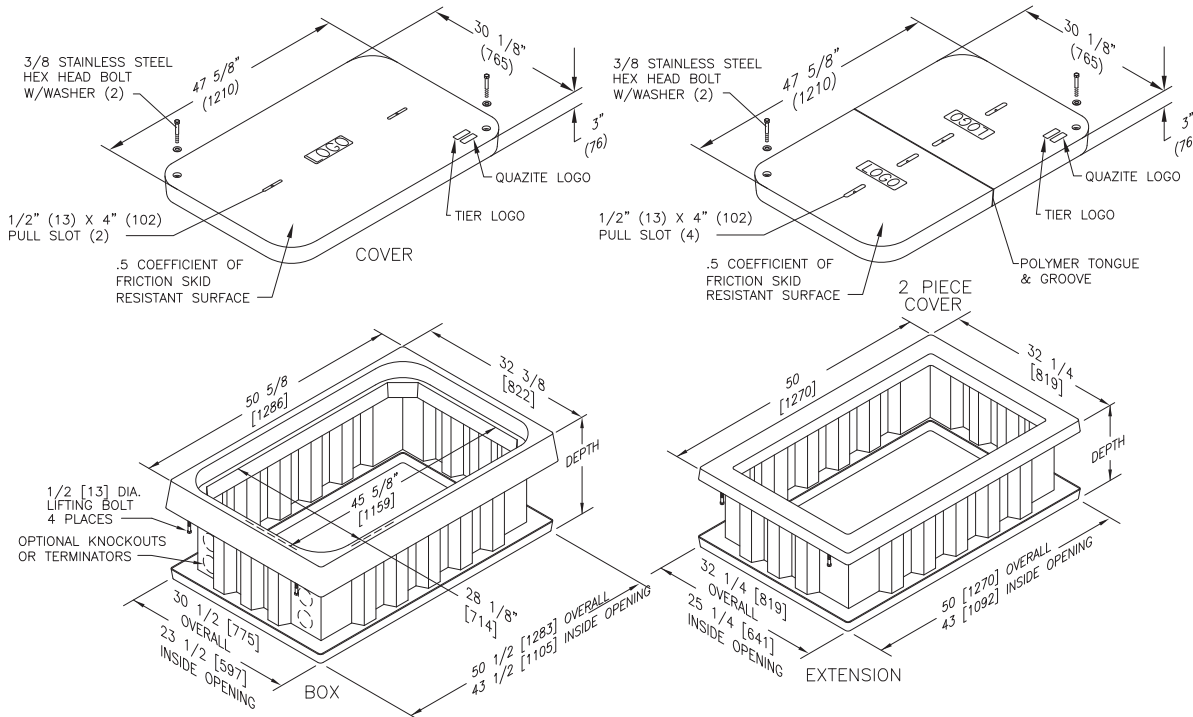
Bottom Extensions						
DESCRIPTION	DEPTH	TIER	DESIGN / TEST LOAD #	WEIGHT #	PALLET QTY	PART NO.
8" Tier 8	8"	8	8,000 / 12,000	55	5	E00304808A
8" Tier 15	8"	15	15,000 / 22,500	65	5	E02304808A
16" Tier 8	16"	8	8,000 / 12,000	100	3	E00304816A
16" Tier 15	16"	15	15,000 / 22,500	110	3	E02304816A

NOTE: Cover rating cannot exceed box rating.

30" x 48" Corrugated Wall Style Assembly

Dimensions / Data

Penta Head Bolts are Standard



Covers

DESCRIPTION	TIER	DESIGN / TEST LOAD #	WEIGHT #	PALLET QTY	PART NO.
2 Piece w/ 2 Bolts	8	8,000 / 12,000	165	3	C10304803A***
2 Piece w/ No Bolts	8	8,000 / 12,000	165	3	C00304803A***
2 Piece w/ 2 Bolts	15	15,000 / 22,500	220	3	C12304803A***
2 Piece w/ 2 Bolts	22	22,500 / 33,750	225	3	C16304803A***
1 Piece w/ 2 Bolts	8	8,000 / 12,000	165	3	C10304803Y***
1 Piece w/ 2 Bolts	15	15,000 / 22,500	225	3	C12304803Y***
No Bolts, w/ CI Reader, Under 90	5	5,000 / 7,500	168	3	C08304803F009
No Bolts, w/ CI Reader, Under 90	8	8,000 / 12,000	168	3	C00304803F009

Replace *** with a logo code found on page 146. See page 149 for other meter lid and touch/radio read cover options.

QUAZITE FRP

30" x 48" Corrugated Wall Style Assembly

Dimensions / Data

Penta Head Bolts are Standard

Boxes						
DESCRIPTION	DEPTH	TIER	DESIGN / TEST LOAD #	WEIGHT #	PALLET QTY	PART NO.
Standard Open Bottom	18"	8	8,000 / 12,000	190	1	B1F304818A
	24"		8,000 / 12,000	199	1	B1F304824A
	30"		8,000 / 12,000	209	1	B1F304830A
	36"		8,000 / 12,000	218	1	B1F304836A
	48"		8,000 / 12,000	236	1	B1F304848A
Standard Open Bottom	18"	15	15,000 / 22,500	190	1	B1G304818A
	24"		15,000 / 22,500	199	1	B1G304824A
	30"		15,000 / 22,500	209	1	B1G304830A
	36"		15,000 / 22,500	218	1	B1G304836A
	48"		15,000 / 22,500	236	1	B1G304848A
Standard Open Bottom	18"	22	22,500 / 33,750	190	1	B1H304818A
	24"		22,500 / 33,750	199	1	B1H304824A
	30"		22,500 / 33,750	209	1	B1H304830A
	36"		22,500 / 33,750	218	1	B1H304836A
	48"		22,500 / 33,750	236	1	B1H304848A

To order boxes with an integral bottom, replace the last character with "B".

To order gasketed boxes, replace the last character with "G".

To order adjust-to-grade boxes, replace the last character with "W".

Gaskets reduce the inflow of fluids but do not make the enclosure water tight. One piece covers are recommended when using gaskets.

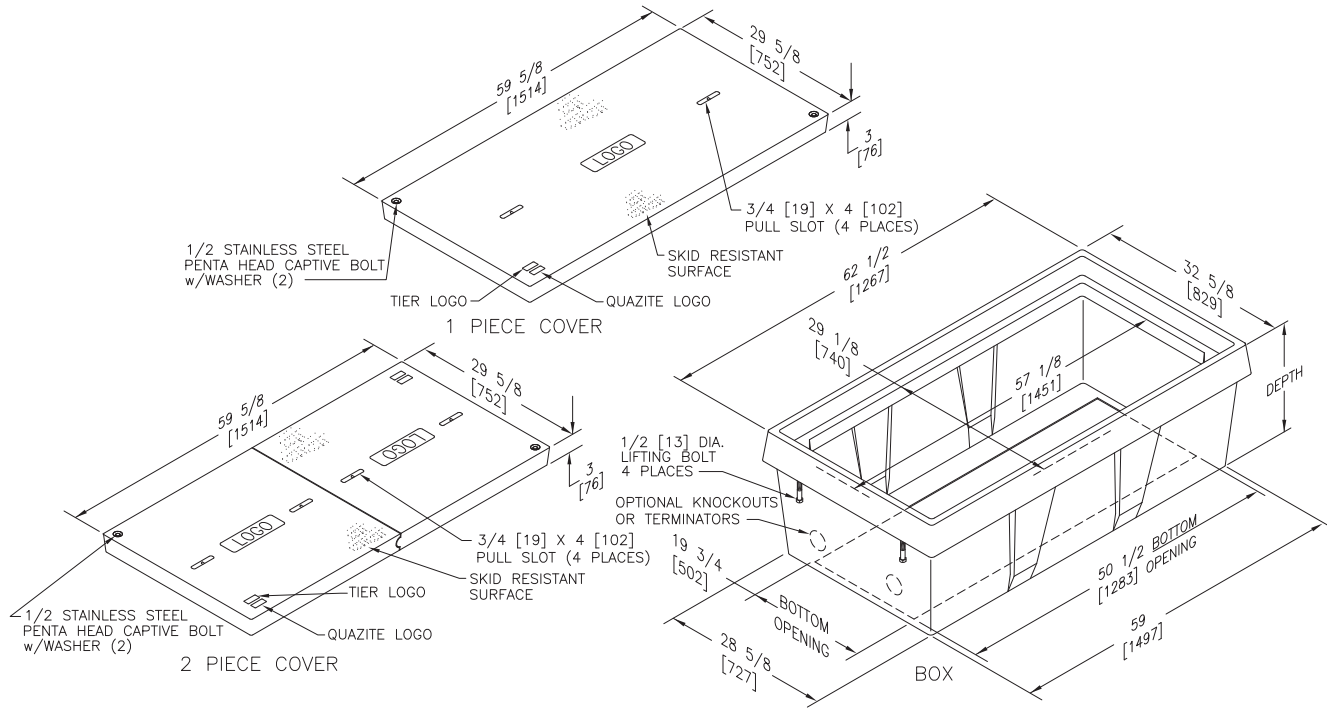
NOTE: Cover rating cannot exceed box rating.

Bottom Extensions						
DESCRIPTION	DEPTH	TIER	DESIGN / TEST LOAD #	WEIGHT #	PALLET QTY	PART NO.
Standard Open Bottom	8"	8	8,000 / 12,000	105	1	E0A304808A
	12"		8,000 / 12,000	111	1	E0A304812A
	18"		8,000 / 12,000	120	1	E0A304818A
	24"		8,000 / 12,000	129	1	E0A304824A
Standard Open Bottom	8"	15	15,000 / 22,500	105	1	E0B304808A
	12"		15,000 / 22,500	111	1	E0B304812A
	18"		15,000 / 22,500	120	1	E0B304818A
	24"		15,000 / 22,500	129	1	E0B304824A
Standard Open Bottom	8"	22	22,500 / 33,750	105	1	E0C304808A
	12"		22,500 / 33,750	111	1	E0C304812A
	18"		22,500 / 33,750	120	1	E0C304818A
	24"		22,500 / 33,750	129	1	E0C304824A

QUAZITE FRP



Penta Head Bolts are Standard



Covers

DESCRIPTION	TIER	DESIGN / TEST LOAD #	WEIGHT #	PALLET QTY	PART NO.
2 Piece w/ 2 Bolts	8	8,000 / 12,000	208	10	C1A306003A***
2 Piece w/ 2 Bolts	15	15,000 / 22,500	268	10	C1B306003A***
2 Piece No Bolts	8	8,000 / 12,000	208	10	COA306003A***
2 Piece w/ 2 Bolts	22	22,500 / 33,750	268	10	C1C306003A***
1 Piece w/ 2 Bolts	8	8,000 / 12,000	208	10	C1A306003Y***
1 Piece w/ 2 Bolts	15	15,000 / 22,500	268	10	C1B306003Y***
W/ 2 Bolts, w/ CI Reader, Under 90	5	5,000 / 7,500	211	10	C1E306003F009

Replace *** with a logo code found on page 146. See page 149 for other meter lid and touch/radio read cover options.

QUAZITE FRP

30" x 60" FRP Straight Wall Stackable

Dimensions / Data

Penta Head Bolts are Standard

Boxes

DESCRIPTION	DEPTH	TIER	DESIGN / TEST LOAD #	WEIGHT #	PALLET QTY	PART NO.
Standard Open Bottom	18"	8	8,000 / 12,000	195	1	B13306018A
	30"		8,000 / 12,000	220	1	B13306030A
	36"		8,000 / 12,000	235	1	B13306036A
	48"		8,000 / 12,000	255	1	B13306048A
	18"	15	15,000 / 22,500	251	1	B14306018A
	30"		15,000 / 22,500	271	1	B14306030A
	36"		15,000 / 22,500	286	1	B14306036A
	48"		15,000 / 22,500	306	1	B14306048A
	18"	22	22,500 / 33,750	251	1	B16306018A
	30"		22,500 / 33,750	271	1	B16306030A
	36"		22,500 / 33,750	286	1	B16306036A
	48"		22,500 / 33,750	306	1	B16306048A
Solid Bottom	18"	8	8,000 / 12,000	210	1	B13306018B
	30"		8,000 / 12,000	235	1	B13306030B
	36"		8,000 / 12,000	250	1	B13306036B
	48"		8,000 / 12,000	270	1	B13306048B
	18"	15	15,000 / 22,500	266	1	B14306018B
	30"		15,000 / 22,500	286	1	B14306030B
	36"		15,000 / 22,500	301	1	B14306036B
	48"		15,000 / 22,500	321	1	B14306048B
	18"	22	22,500 / 33,750	266	1	B16306018B
	30"		22,500 / 33,750	286	1	B16306030B
	36"		22,500 / 33,750	301	1	B16306036B
	48"		22,500 / 33,750	321	1	B16306048B

To order boxes with two standard mouseholes, replace the last character with "M". To order gasketed boxes, replace the last character with "G".
 NOTE: Gaskets reduce the inflow of fluids but do not make the enclosure water tight.
 NOTE: Cover rating cannot exceed box rating.

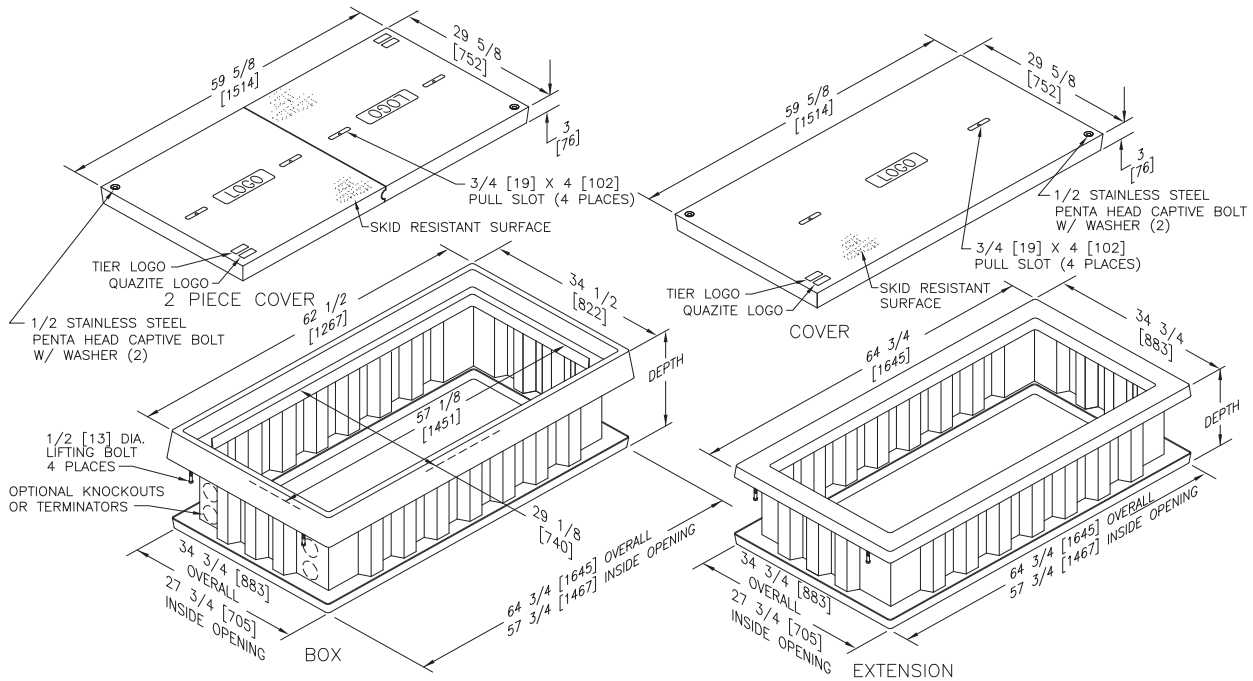
QUAZITE FRP



30" x 60" Corrugated Wall Style Assembly

Dimensions / Data

Penta Head Bolts are Standard



Covers

DESCRIPTION	TIER	DESIGN / TEST LOAD #	WEIGHT #	PALLET QTY	PART NO.
2 Piece w/ 2 Bolts	8	8,000 / 12,000	208	1	C1A306003A***
2 Piece w/ No Bolts	8	8,000 / 12,000	208	1	C0A306003A***
2 Piece w/ 2 Bolts	15	15,000 / 22,500	268	1	C1B306003A***
2 Piece w/ 2 Bolts	22	22,500 / 33,750	268	1	C1C306003A***
1 Piece w/ 2 Bolts	8	8,000 / 12,000	208	1	C1A306003Y***
1 Piece w/ 2 Bolts	15	15,000 / 22,500	268	1	C1B306003Y***
W/ 2 Bolts, w/ CI Reader, Under 90	5	5,000 / 7,500	211	1	C1E306003F009

Replace *** with a logo code found on page 146. See page 149 for other meter lid and touch/radio read cover options.

30" x 60" Corrugated Wall Style Assembly

Dimensions / Data

Penta Head Bolts are Standard

Boxes						
DESCRIPTION	DEPTH	TIER	DESIGN / TEST LOAD #	WEIGHT #	PALLET QTY	PART NO.
Standard Open Bottom	18"	8	8,000 / 12,000	229	1	B1A306018A
	24"		8,000 / 12,000	240	1	B1A306024A
	30"		8,000 / 12,000	251	1	B1A306030A
	36"		8,000 / 12,000	263	1	B1A306036A
	48"		8,000 / 12,000	286	1	B1A306048A
Standard Open Bottom	18"	15	15,000 / 22,500	229	1	B1B306018A
	24"		15,000 / 22,500	240	1	B1B306024A
	30"		15,000 / 22,500	251	1	B1B306030A
	36"		15,000 / 22,500	263	1	B1B306036A
	48"		15,000 / 22,500	286	1	B1B306048A
Standard Open Bottom	18"	22	22,500 / 33,750	229	1	B1C306018A
	24"		22,500 / 33,750	240	1	B1C306024A
	30"		22,500 / 33,750	251	1	B1C306030A
	36"		22,500 / 33,750	263	1	B1C306036A
	48"		22,500 / 33,750	286	1	B1C306048A

To order boxes with an integral bottom, replace the last character with "B".
 To order adjust-to-grade boxes, replace the last character with "W".
 NOTE: Cover rating cannot exceed box rating.

Bottom Extensions						
DESCRIPTION	DEPTH	TIER	DESIGN / TEST LOAD #	WEIGHT #	PALLET QTY	PART NO.
Standard Open Bottom	8"	8	8,000 / 12,000	131	1	E0A306008A
	12"		8,000 / 12,000	139	1	E0A306012A
	18"		8,000 / 12,000	150	1	E0A306018A
	24"		8,000 / 12,000	161	1	E0A306024A
Standard Open Bottom	8"	15	15,000 / 22,500	131	1	E0B306008A
	12"		15,000 / 22,500	139	1	E0B306012A
	18"		15,000 / 22,500	150	1	E0B306018A
	24"		15,000 / 22,500	161	1	E0B306024A
Standard Open Bottom	8"	22	22,500 / 33,750	131	1	E0C306008A
	12"		22,500 / 33,750	139	1	E0C306012A
	18"		22,500 / 33,750	150	1	E0C306018A
	24"		22,500 / 33,750	161	1	E0C306024A

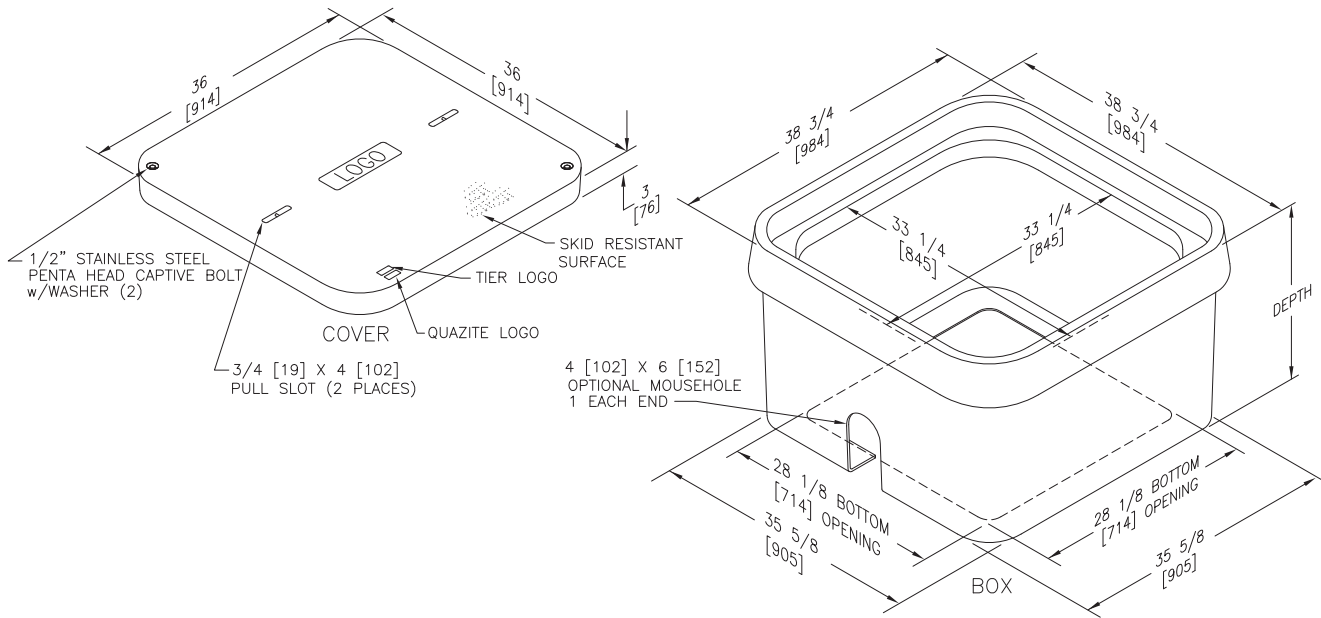
QUAZITE FRP



36" x 36" FRP Straight Wall Stackable

Dimensions / Data

Penta Head Bolts are Standard



Covers

DESCRIPTION	TIER	DESIGN / TEST LOAD #	WEIGHT #	PALLET QTY	PART NO.
W/ 2 Bolts	8	8,000 / 12,000	140	50	C10363603A***
W/ 2 Bolts	15	15,000 / 22,500	170	50	C12363603A***
No Bolts	8	8,000 / 12,000	140	50	C00363603A***
W/ 2 Bolts	22	22,500 / 33,750	170	50	C16363603A***

Replace *** with a logo code found on page 146. See page 149 for other meter lid and touch/radio read cover options.

QUAZITE FRP

36" x 36" FRP Straight Wall Stackable

Dimensions / Data

Penta Head Bolts are Standard

Boxes						
DESCRIPTION	DEPTH	TIER	DESIGN / TEST LOAD #	WEIGHT #	PALLET QTY	PART NO.
Standard Open Bottom	18"	8	8,000 / 12,000	130	10	B13363618A
	24"		8,000 / 12,000	140	10	B13363624A
	30"		8,000 / 12,000	150	10	B13363630A
	36"		8,000 / 12,000	160	10	B13363636A
	48"		8,000 / 12,000	180	10	B13363648A
	18"	15	15,000 / 22,500	140	10	B14363618A
	24"		15,000 / 22,500	150	10	B14363624A
	30"		15,000 / 22,500	160	10	B14363630A
	36"		15,000 / 22,500	165	10	B14363636A
	48"		15,000 / 22,500	185	10	B14363648A
	18"	22	22,500 / 33,750	140	10	B16363618A
	24"		22,500 / 33,750	150	10	B16363624A
	30"		22,500 / 33,750	160	10	B16363630A
	36"		22,500 / 33,750	165	10	B16363636A
	48"		22,500 / 33,750	185	10	B16363648A
Solid Bottom	18"	8	8,000 / 12,000	140	10	B13363618B
	24"		8,000 / 12,000	150	10	B13363624B
	30"		8,000 / 12,000	160	10	B13363630B
	36"		8,000 / 12,000	170	10	B13363636B
	48"		8,000 / 12,000	190	10	B13363648B
	18"	15	15,000 / 22,500	150	10	B14363618B
	24"		15,000 / 22,500	160	10	B14363624B
	30"		15,000 / 22,500	170	10	B14363630B
	36"		15,000 / 22,500	175	10	B14363636B
	48"		15,000 / 22,500	195	10	B14363648B
	18"	22	22,500 / 33,750	150	10	B16363618B
	24"		22,500 / 33,750	160	10	B16363624B
	30"		22,500 / 33,750	170	10	B16363630B
	36"		22,500 / 33,750	175	10	B16363636B
	48"		22,500 / 33,750	195	10	B16363648B

To order boxes with two standard mouseholes, replace the last character with "M".

To order gasketed boxes, replace the last character with "G".

NOTE: Gasket reduce the inflow of fluids but do not make the enclosure water tight.

NOTE: Cover rating cannot exceed box rating.

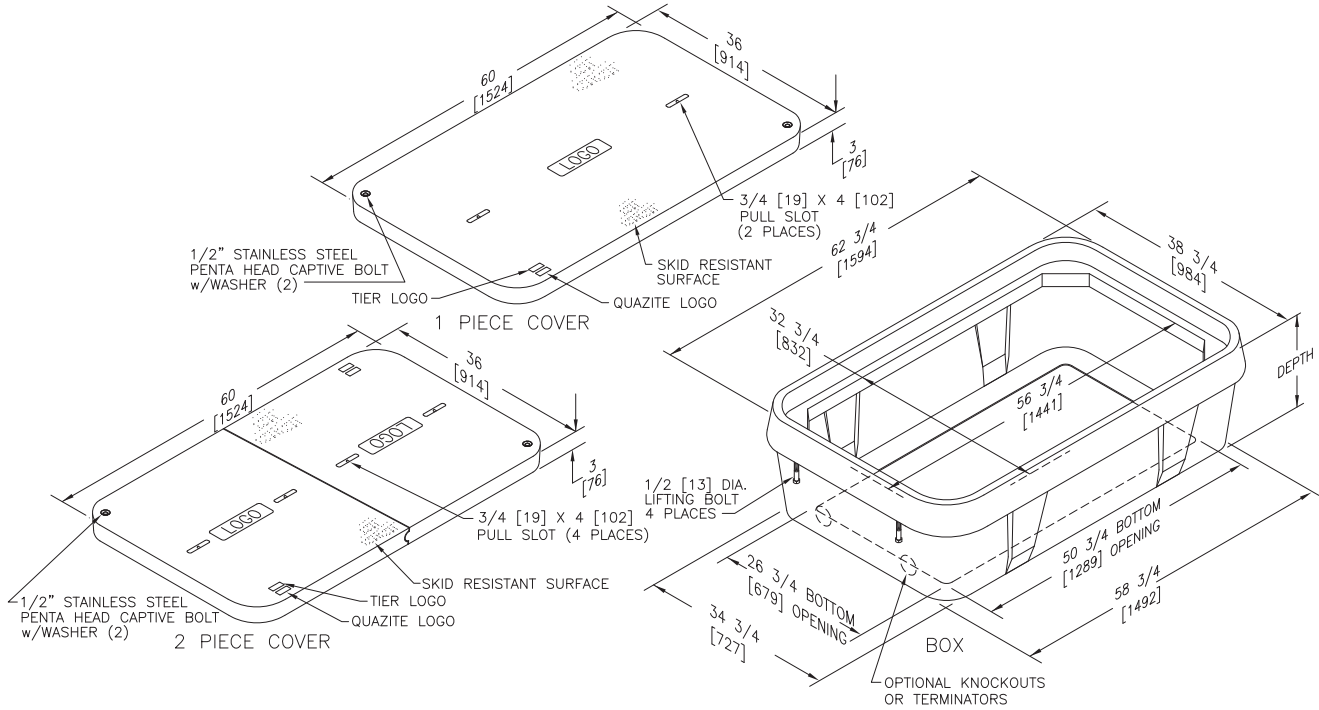
QUAZITE FRP



36" x 60" FRP Straight Wall Stackable

Dimensions / Data

Penta Head Bolts are Standard



Covers

DESCRIPTION	TIER	DESIGN / TEST LOAD #	WEIGHT #	PALLET QTY	PART NO.
2 Piece w/ 2 Bolts	8	8,000 / 12,000	273	10	C10366003A***
2 Piece w/ 2 Bolts	15	15,000 / 22,500	333	10	C12366003A***
2 Piece No Bolts	8	8,000 / 12,000	273	10	C00366003A***
2 Piece w/ 2 Bolts	22	22,500 / 33,750	333	10	C16366003A***
1 Piece w/ 2 Bolts	8	8,000 / 12,000	273	10	C10366003Y***
1 Piece w/ 2 Bolts	15	15,000 / 22,500	333	10	C12366003Y***

Replace *** with a logo code found on page 146. See page 149 for other meter lid and touch/radio read cover options.

QUAZITE FRP

36" x 60" FRP Straight Wall Stackable

Dimensions / Data

Penta Head Bolts are Standard

Boxes						
DESCRIPTION	DEPTH	TIER	DESIGN / TEST LOAD #	WEIGHT #	PALLET QTY	PART NO.
Standard Open Bottom	18"	8	8,000 / 12,000	212	1	B13366018A
	24"		8,000 / 12,000	222	1	B13366024A
	30"		8,000 / 12,000	236	1	B13366030A
	36"		8,000 / 12,000	260	1	B13366036A
	48"		8,000 / 12,000	308	1	B13366048A
	18"	15	15,000 / 22,500	237	1	B14366018A
	24"		15,000 / 22,500	247	1	B14366024A
	30"		15,000 / 22,500	261	1	B14366030A
	36"		15,000 / 22,500	285	1	B14366036A
	48"		15,000 / 22,500	333	1	B14366048A
	18"	22	22,500 / 33,750	237	1	B16366018A
	24"		22,500 / 33,750	247	1	B16366024A
	30"		22,500 / 33,750	261	1	B16366030A
	36"		22,500 / 33,750	285	1	B16366036A
	48"		22,500 / 33,750	333	1	B16366048A
Solid Bottom	18"	8	8,000 / 12,000	230	1	B13366018B
	24"		8,000 / 12,000	240	1	B13366024B
	30"		8,000 / 12,000	254	1	B13366030B
	36"		8,000 / 12,000	278	1	B13366036B
	48"		8,000 / 12,000	326	1	B13366048B
	18"	15	15,000 / 22,500	255	1	B14366018B
	24"		15,000 / 22,500	265	1	B14366024B
	30"		15,000 / 22,500	279	1	B14366030B
	36"		15,000 / 22,500	303	1	B14366036B
	48"		15,000 / 22,500	351	1	B14366048B
	18"	22	22,500 / 33,750	255	1	B16366018B
	24"		22,500 / 33,750	265	1	B16366024B
	30"		22,500 / 33,750	279	1	B16366030B
	36"		22,500 / 33,750	303	1	B16366036B
	48"		22,500 / 33,750	351	1	B16366048B

To order boxes with two standard mouseholes, replace the last character with "M".
 To order gasketed boxes, replace the last character with "G".
 NOTE: Gasket reduce the inflow of fluids but do not make the enclosure water tight.
 NOTE: Cover rating cannot exceed box rating.

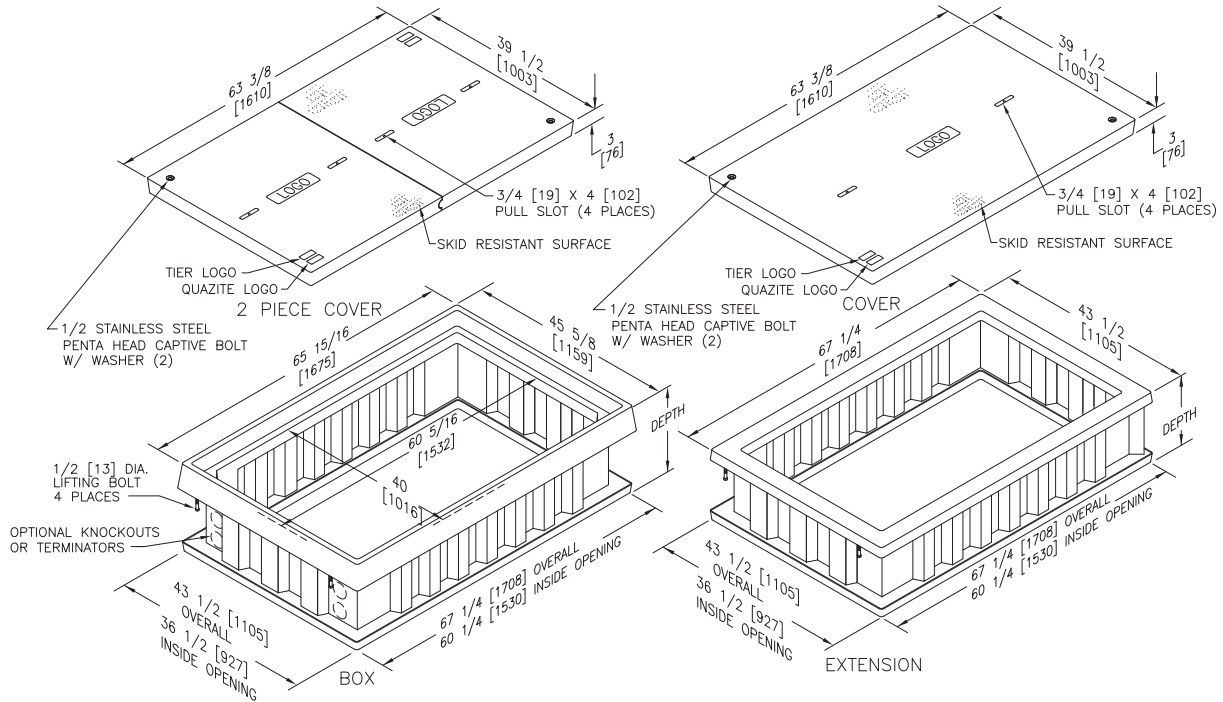
QUAZITE FRP



36" x 60" Corrugated Wall Style Assembly

Dimensions / Data

Penta Head Bolts are Standard



Covers

DESCRIPTION	TIER	DESIGN / TEST LOAD #	WEIGHT #	PALLET QTY	PART NO.
2 Piece w/ 2 Bolts	8	8,000 / 12,000	273	1	C1A366003A***
2 Piece No Bolts	8	8,000 / 12,000	273	1	COA366003A***
2 Piece w/ 2 Bolts	15	15,000 / 22,500	333	1	C1B366003A***
2 Piece w/ 2 Bolts	22	22,500 / 33,750	333	1	C1C366003A***
1 Piece w/ 2 Bolts	8	8,000 / 12,000	273	1	C1A366003Y***
1 Piece w/ 2 Bolts	15	15,000 / 22,500	333	1	C1B366003Y***

Replace *** with a logo code found on page 146. See page 149 for other meter lid and touch/radio read cover options.

36" x 60" Corrugated Wall Style Assembly

Dimensions / Data

Penta Head Bolts are Standard

Boxes						
DESCRIPTION	DEPTH	TIER	DESIGN / TEST LOAD #	WEIGHT #	PALLET QTY	PART NO.
Standard Open Bottom	18"	8	8,000 / 12,000	212	1	B1A366018A
	24"		8,000 / 12,000	222	1	B1A366024A
	30"		8,000 / 12,000	236	1	B1A366030A
	36"		8,000 / 12,000	260	1	B1A366036A
	48"		8,000 / 12,000	308	1	B1A366048A
Standard Open Bottom	18"	15	15,000 / 22,500	232	1	B1B366018A
	24"		15,000 / 22,500	252	1	B1B366024A
	30"		15,000 / 22,500	256	1	B1B366030A
	36"		15,000 / 22,500	280	1	B1B366036A
	48"		15,000 / 22,500	328	1	B1B366048A
Standard Open Bottom	18"	22	22,500 / 33,750	232	1	B1C366018A
	24"		22,500 / 33,750	252	1	B1C366024A
	30"		22,500 / 33,750	256	1	B1C366030A
	36"		22,500 / 33,750	280	1	B1C366036A
	48"		22,500 / 33,750	328	1	B1C366048A

To order boxes with an integral bottom, replace the last character with "B".

To order adjust-to-grade boxes, replace the last character with "W".

NOTE: Cover rating cannot exceed box rating.

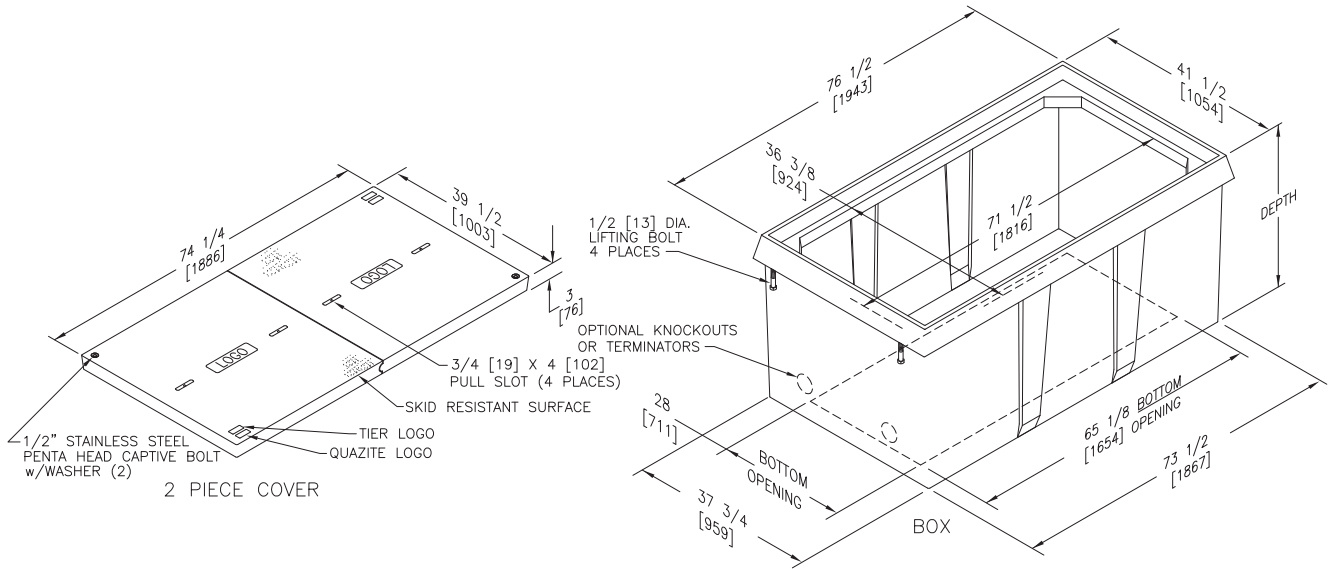
Bottom Extensions						
DESCRIPTION	DEPTH	TIER	DESIGN / TEST LOAD #	WEIGHT #	PALLET QTY	PART NO.
Standard Open Bottom	8"	8	8,000 / 12,000	173	1	E0A366008A
	12"		8,000 / 12,000	182	1	E0A366012A
	18"		8,000 / 12,000	197	1	E0A366018A
	24"		8,000 / 12,000	212	1	E0A366024A
Standard Open Bottom	8"	15	15,000 / 22,500	173	1	E0B366008A
	12"		15,000 / 22,500	182	1	E0B366012A
	18"		15,000 / 22,500	197	1	E0B366018A
	24"		15,000 / 22,500	212	1	E0B366024A
Standard Open Bottom	8"	22	22,500 / 33,750	173	1	E0C366008A
	12"		22,500 / 33,750	182	1	E0C366012A
	18"		22,500 / 33,750	197	1	E0C366018A
	24"		22,500 / 33,750	212	1	E0C366024A

QUAZITE FRP

36" x 72" FRP Straight Wall Stackable

Dimensions / Data

Penta Head Bolts are Standard



Covers

DESCRIPTION	TIER	DESIGN / TEST LOAD #	WEIGHT #	PALLET QTY	PART NO.
2 Piece w/ 2 Bolts	8	8,000 / 12,000	275	10	C1A367203A***
2 Piece w/ 2 Bolts	15	15,000 / 22,500	355	10	C1B367203A***
2 Piece No Bolts	8	8,000 / 12,000	275	10	C0A367203A***
2 Piece w/ 2 Bolts	22	22,500 / 33,750	355	10	C1C367203A***

Replace *** with a logo code found on page 146. See page 149 for other meter lid and touch/radio read cover options.

36" x 72" FRP Straight Wall Stackable

Dimensions / Data

Penta Head Bolts are Standard

Boxes						
DESCRIPTION	DEPTH	TIER	DESIGN / TEST LOAD #	WEIGHT #	PALLET QTY	PART NO.
Standard Open Bottom	36"	8	8,000 / 12,000	326	1	B13367236A
	48"		8,000 / 12,000	382	1	B13367248A
	36"	15	15,000 / 22,500	346	1	B14367236A
	48"		15,000 / 22,500	402	1	B14367248A
	36"	22	22,500 / 33,750	346	1	B16367236A
	48"		22,500 / 33,750	402	1	B16367248A
Solid Bottom	36"	8	8,000 / 12,000	353	1	B13367236B
	48"		8,000 / 12,000	414	1	B13367248B
	36"	15	15,000 / 22,500	375	1	B14367236B
	48"		15,000 / 22,500	436	1	B14367248B
	36"	22	22,500 / 33,750	375	1	B16367236B
	48"		22,500 / 33,750	436	1	B16367248B

To order boxes with two standard mouseholes, replace the last character with "M".

To order gasketed boxes, replace the last character with "G".

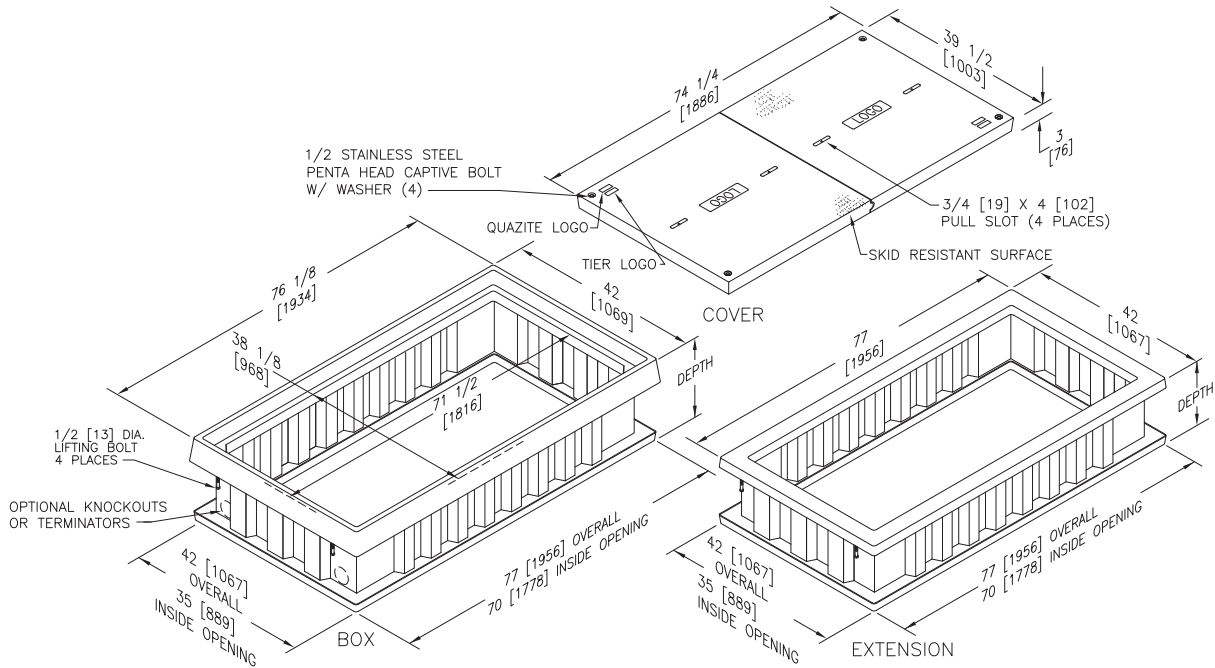
NOTE: Gasket reduce the inflow of fluids but do not make the enclosure water tight.

NOTE: Cover rating cannot exceed box rating.

36" x 72" Corrugated Wall Style Assembly

Dimensions / Data

Penta Head Bolts are Standard



Covers

DESCRIPTION	TIER	DESIGN / TEST LOAD #	WEIGHT #	PALLET QTY	PART NO.
W/ 4 Bolts	8	8,000 / 12,000	275	5	C1A367203A***
No Bolts	8	8,000 / 12,000	275	5	C0A367203A***
W/ 4 Bolts	15	15,000 / 22,500	355	5	C1B367203A***
W/ 4 Bolts	22	22,500 / 33,750	355	5	C1C367203A***

Replace *** with a logo code found on page 146. See page 149 for other meter lid and touch/radio read cover options.

QUAZITE FRP

36" x 72" Corrugated Wall Style Assembly

Dimensions / Data

Penta Head Bolts are Standard

Boxes						
DESCRIPTION	DEPTH	TIER	DESIGN / TEST LOAD #	WEIGHT #	PALLET QTY	PART NO.
Standard Open Bottom	18"	8	8,000 / 12,000	269	1	B1A367218A
	24"		8,000 / 12,000	284	1	B1A367224A
	30"		8,000 / 12,000	299	1	B1A367230A
	36"		8,000 / 12,000	313	1	B1A367236A
	48"		8,000 / 12,000	343	1	B1A367248A
Standard Open Bottom	18"	15	15,000 / 22,500	300	1	B1B367218A
	24"		15,000 / 22,500	315	1	B1B367224A
	30"		15,000 / 22,500	330	1	B1B367230A
	36"		15,000 / 22,500	344	1	B1B367236A
	48"		15,000 / 22,500	374	1	B1B367248A
Standard Open Bottom	18"	22	22,500 / 33,750	300	1	B1C367218A
	24"		22,500 / 33,750	315	1	B1C367224A
	30"		22,500 / 33,750	330	1	B1C367230A
	36"		22,500 / 33,750	344	1	B1C367236A
	48"		22,500 / 33,750	374	1	B1C367248A

To order boxes with an integral bottom, replace the last character with "B".
 To order adjust-to-grade boxes, replace the last character with "W".
 NOTE: Cover rating cannot exceed box rating.

Bottom Extensions						
DESCRIPTION	DEPTH	TIER	DESIGN / TEST LOAD #	WEIGHT #	PALLET QTY	PART NO.
Standard Open Bottom	8"	8	8,000 / 12,000	186	1	E0A367208A
	12"		8,000 / 12,000	193	1	E0A367212A
	18"		8,000 / 12,000	205	1	E0A367218A
	24"		8,000 / 12,000	217	1	E0A367224A
Standard Open Bottom	8"	15	15,000 / 22,500	186	1	E0B367208A
	12"		15,000 / 22,500	193	1	E0B367212A
	18"		15,000 / 22,500	205	1	E0B367218A
	24"		15,000 / 22,500	217	1	E0B367224A
Standard Open Bottom	8"	22	22,500 / 33,750	186	1	E0C367208A
	12"		22,500 / 33,750	193	1	E0C367212A
	18"		22,500 / 33,750	205	1	E0C367218A
	24"		22,500 / 33,750	217	1	E0C367224A

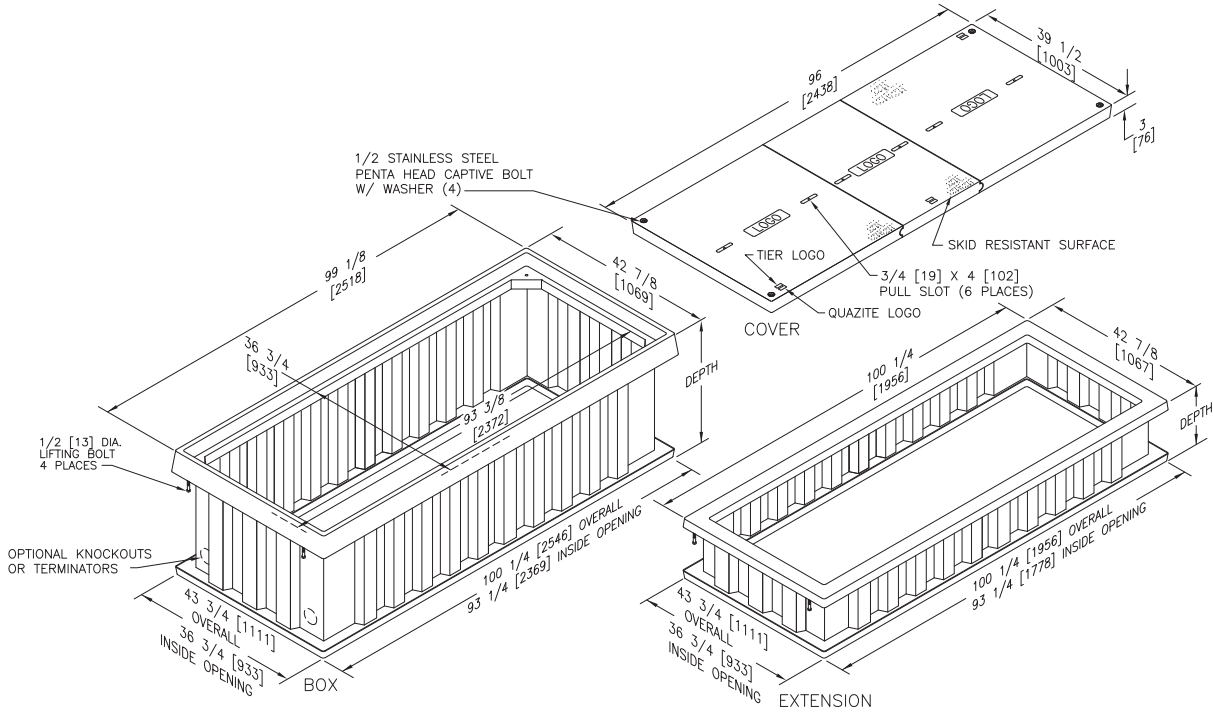
QUAZITE FRP



36" x 96" Corrugated Wall Style Assembly

Dimensions / Data

Penta Head Bolts are Standard



Covers

DESCRIPTION	TIER	DESIGN / TEST LOAD #	WEIGHT #	PALLET QTY	PART NO.
W/ 4 Bolts	8	8,000 / 12,000	400	2	C1A369603A***
No Bolts	8	8,000 / 12,000	400	2	C0A369603A***
W/ 4 Bolts	15	15,000 / 22,500	420	2	C1B369603A***
W/ 4 Bolts	22	22,500 / 33,750	420	2	C1C369603A***

Replace *** with a logo code found on page 146. See page 149 for other meter lid and touch/radio read cover options.

QUAZITE FRP

36" x 96" Corrugated Wall Style Assembly

Dimensions / Data

Penta Head Bolts are Standard

Boxes

DESCRIPTION	DEPTH	TIER	DESIGN / TEST LOAD #	WEIGHT #	PALLET QTY	PART NO.
Standard Open Bottom	30"	8	8,000 / 12,000	649	1	B1A369630A
	36"		8,000 / 12,000	669	1	B1A369636A
	48"		8,000 / 12,000	709	1	B1A369648A
Standard Open Bottom	30"	15	15,000 / 22,500	798	1	B1B369630A
	36"		15,000 / 22,500	818	1	B1B369636A
	48"		15,000 / 22,500	858	1	B1B369648A
Standard Open Bottom	30"	22	22,500 / 33,750	798	1	B1C369630A
	36"		22,500 / 33,750	818	1	B1C369636A
	48"		22,500 / 33,750	858	1	B1C369648A

To order boxes with an integral bottom, replace the last character with "B".
NOTE: Cover rating cannot exceed box rating.

Bottom Extensions

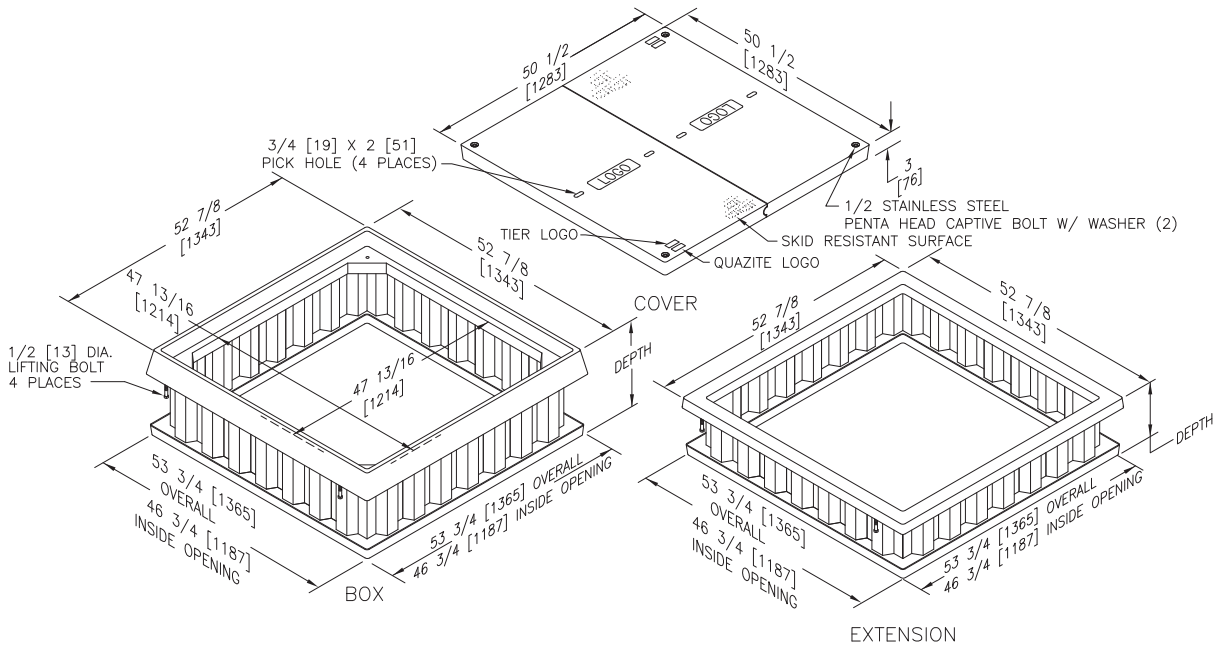
DESCRIPTION	DEPTH	TIER	DESIGN / TEST LOAD #	WEIGHT #	PALLET QTY	PART NO.
Standard Open Bottom	12"	8	8,000 / 12,000	246	1	E0A369612A
	18"		8,000 / 12,000	258	1	E0A369618A
	24"		8,000 / 12,000	270	1	E0A369624A
	36"		8,000 / 12,000	294	1	E0A369636A
	48"		8,000 / 12,000	318	1	E0A369648A
Standard Open Bottom	12"	15	15,000 / 22,500	246	1	E0B369612A
	18"		15,000 / 22,500	258	1	E0B369618A
	24"		15,000 / 22,500	270	1	E0B369624A
	36"		15,000 / 22,500	294	1	E0B369636A
	48"		15,000 / 22,500	318	1	E0B369648A
Standard Open Bottom	12"	22	22,500 / 33,750	246	1	E0C369612A
	18"		22,500 / 33,750	258	1	E0C369618A
	24"		22,500 / 33,750	270	1	E0C369624A
	36"		22,500 / 33,750	294	1	E0C369636A
	48"		22,500 / 33,750	318	1	E0C369648A



48" x 48" Corrugated Wall Style Assembly

Dimensions / Data

Penta Head Bolts are Standard



Covers

DESCRIPTION	TIER	DESIGN / TEST LOAD #	WEIGHT #	PALLET QTY	PART NO.
W/ 4 Bolts	8	8,000 / 12,000	271	3	C1A484803A***
No Bolts	8	8,000 / 12,000	271	3	C0A484803A***
W/ 4 Bolts	15	15,000 / 22,500	345	3	C1B484803A***
W/ 4 Bolts	22	22,500 / 33,750	345	3	C1C484803A***

Replace *** with a logo code found on page 146. See page 149 for other meter lid and touch/radio read cover options.

48" x 48" Corrugated Wall Style Assembly

Dimensions / Data

Penta Head Bolts are Standard

Boxes						
DESCRIPTION	DEPTH	TIER	DESIGN / TEST LOAD #	WEIGHT #	PALLET QTY	PART NO.
Standard Open Bottom	18"	8	8,000 / 12,000	262	1	B1A484818A
	24"		8,000 / 12,000	275	1	B1A484824A
	30"		8,000 / 12,000	288	1	B1A484830A
	36"		8,000 / 12,000	301	1	B1A484836A
	48"		8,000 / 12,000	327	1	B1A484848A
Standard Open Bottom	18"	15	15,000 / 22,500	291	1	B1B484818A
	24"		15,000 / 22,500	304	1	B1B484824A
	30"		15,000 / 22,500	317	1	B1B484830A
	36"		15,000 / 22,500	330	1	B1B484836A
	48"		15,000 / 22,500	356	1	B1B484848A
Standard Open Bottom	18"	22	22,500 / 33,750	291	1	B1C484818A
	24"		22,500 / 33,750	304	1	B1C484824A
	30"		22,500 / 33,750	317	1	B1C484830A
	36"		22,500 / 33,750	330	1	B1C484836A
	48"		22,500 / 33,750	356	1	B1C484848A

To order boxes with an integral bottom, replace the last character with "B".

To order adjust-to-grade boxes, replace the last character with "W".

NOTE: Cover rating cannot exceed box rating.

Bottom Extensions						
DESCRIPTION	DEPTH	TIER	DESIGN / TEST LOAD #	WEIGHT #	PALLET QTY	PART NO.
Standard Open Bottom	12"	8	8,000 / 12,000	240	1	E0A484812A
	18"		8,000 / 12,000	265	1	E0A484818A
	24"		8,000 / 12,000	290	1	E0A484824A
Standard Open Bottom	12"	15	15,000 / 22,500	240	1	E0B484812A
	18"		15,000 / 22,500	265	1	E0B484818A
	24"		15,000 / 22,500	290	1	E0B484824A
Standard Open Bottom	12"	22	22,500 / 33,750	240	1	E0C484812A
	18"		22,500 / 33,750	265	1	E0C484818A
	24"		22,500 / 33,750	290	1	E0C484824A

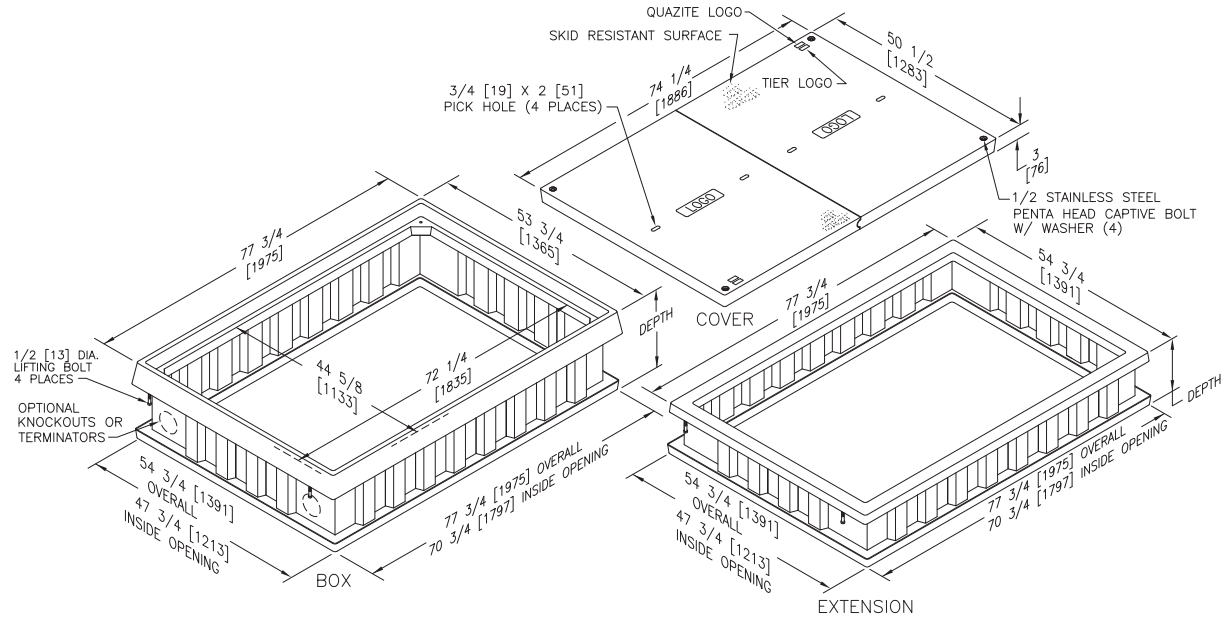
QUAZITE FRP



48" x 72" Corrugated Wall Style Assembly

Dimensions / Data

Penta Head Bolts are Standard



Covers

DESCRIPTION	TIER	DESIGN / TEST LOAD #	WEIGHT #	PALLET QTY	PART NO.
W/ 4 Bolts	8	8,000 / 12,000	294	3	C1A487203A***
No Bolts	8	8,000 / 12,000	294	3	COA487203A***
W/ 4 Bolts	15	15,000 / 22,500	368	3	C1B487203A***
W/ 4 Bolts	22	22,500 / 33,750	368	3	C1C487203A***

Replace *** with a logo code found on page 146. See page 149 for other meter lid and touch/radio read cover options.

QUAZITE FRP

48" x 72" Corrugated Wall Style Assembly

Dimensions / Data

Penta Head Bolts are Standard

Boxes						
DESCRIPTION	DEPTH	TIER	DESIGN / TEST LOAD #	WEIGHT #	PALLET QTY	PART NO.
Standard Open Bottom	18"	8	8,000 / 12,000	348	1	B1A487218A
	24"		8,000 / 12,000	364	1	B1A487224A
	30"		8,000 / 12,000	380	1	B1A487230A
	36"		8,000 / 12,000	396	1	B1A487236A
	48"		8,000 / 12,000	428	1	B1A487248A
Standard Open Bottom	18"	15	15,000 / 22,500	387	1	B1B487218A
	24"		15,000 / 22,500	403	1	B1B487224A
	30"		15,000 / 22,500	419	1	B1B487230A
	36"		15,000 / 22,500	435	1	B1B487236A
	48"		15,000 / 22,500	467	1	B1B487248A
Standard Open Bottom	18"	22	22,500 / 33,750	387	1	B1C487218A
	24"		22,500 / 33,750	403	1	B1C487224A
	30"		22,500 / 33,750	419	1	B1C487230A
	36"		22,500 / 33,750	435	1	B1C487236A
	48"		22,500 / 33,750	467	1	B1C487248A

To order boxes with an integral bottom, replace the last character with "B".
 To order adjust-to-grade boxes, replace the last character with "W".
 NOTE: Cover rating cannot exceed box rating.

Bottom Extensions						
DESCRIPTION	DEPTH	TIER	DESIGN / TEST LOAD #	WEIGHT #	PALLET QTY	PART NO.
Standard Open Bottom	12"	8	8,000 / 12,000	240	1	E0A487212A
	18"		8,000 / 12,000	265	1	E0A487218A
	24"		8,000 / 12,000	290	1	E0A487224A
	36"		8,000 / 12,000	310	1	E0A487236A
Standard Open Bottom	12"	15	15,000 / 22,500	240	1	E0B487212A
	18"		15,000 / 22,500	265	1	E0B487218A
	24"		15,000 / 22,500	290	1	E0B487224A
	36"		15,000 / 22,500	310	1	E0B487236A
Standard Open Bottom	12"	22	22,500 / 33,750	240	1	E0C487212A
	18"		22,500 / 33,750	265	1	E0C487218A
	24"		22,500 / 33,750	290	1	E0C487224A
	36"		22,500 / 33,750	310	1	E0C487236A

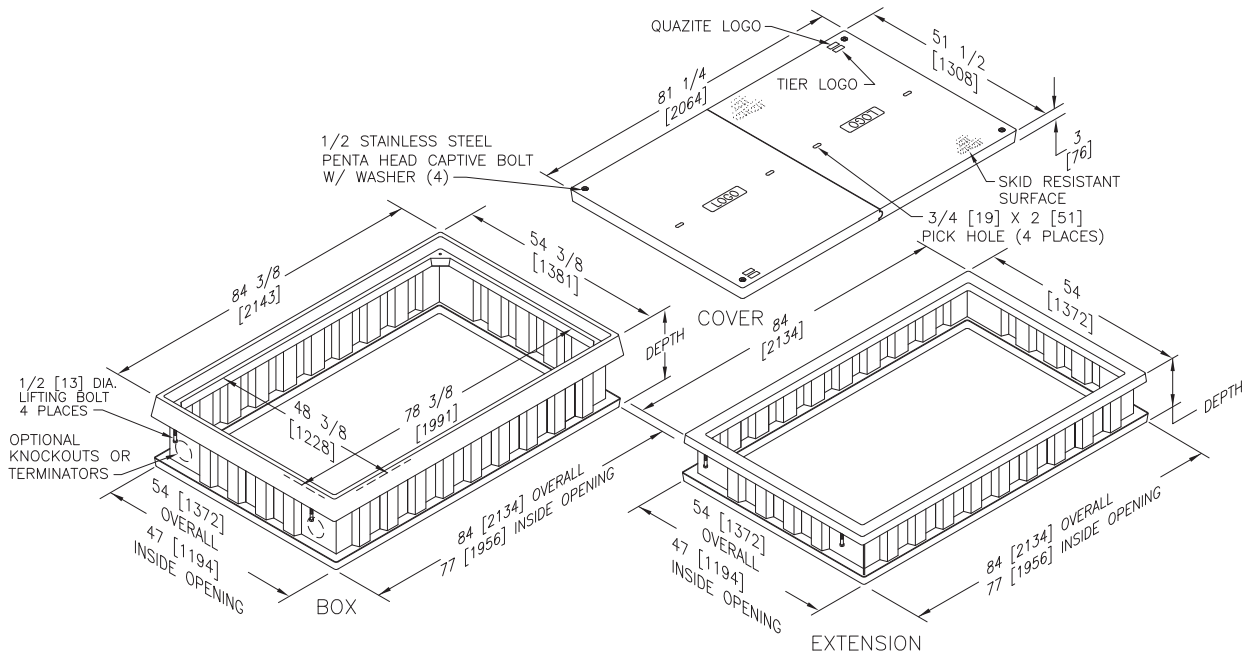
QUAZITE FRP



48" x 78" Corrugated Wall Style Assembly

Dimensions / Data

Penta Head Bolts are Standard



Covers

DESCRIPTION	TIER	DESIGN / TEST LOAD #	WEIGHT #	PALLET QTY	PART NO.
W/ 4 Bolts	8	8,000 / 12,000	320	5	C1A487803A***
No Bolts	8	8,000 / 12,000	320	5	C0A487803A***
W/ 4 Bolts	15	15,000 / 22,500	400	5	C1B487803A***
W/ 4 Bolts	22	22,500 / 33,750	400	5	C1C487803A***

Replace *** with a logo code found on page 146. See page 149 for other meter lid and touch/radio read cover options.

48" x 78" Corrugated Wall Style Assembly

Dimensions / Data

Penta Head Bolts are Standard

Boxes						
DESCRIPTION	DEPTH	TIER	DESIGN / TEST LOAD #	WEIGHT #	PALLET QTY	PART NO.
Standard Open Bottom	18"	8	8,000 / 12,000	384	1	B1A487818A
	24"		8,000 / 12,000	400	1	B1A487824A
	30"		8,000 / 12,000	415	1	B1A487830A
	36"		8,000 / 12,000	431	1	B1A487836A
	48"		8,000 / 12,000	463	1	B1A487848A
Standard Open Bottom	18"	15	15,000 / 22,500	423	1	B1B487818A
	24"		15,000 / 22,500	439	1	B1B487824A
	30"		15,000 / 22,500	454	1	B1B487830A
	36"		15,000 / 22,500	470	1	B1B487836A
	48"		15,000 / 22,500	502	1	B1B487848A
Standard Open Bottom	18"	22	22,500 / 33,750	423	1	B1C487818A
	24"		22,500 / 33,750	439	1	B1C487824A
	30"		22,500 / 33,750	454	1	B1C487830A
	36"		22,500 / 33,750	470	1	B1C487836A
	48"		22,500 / 33,750	502	1	B1C487848A

To order boxes with an integral bottom, replace the last character with "B".

To order adjust-to-grade boxes, replace the last character with "W".

NOTE: Cover rating cannot exceed box rating.

Bottom Extensions						
DESCRIPTION	DEPTH	TIER	DESIGN / TEST LOAD #	WEIGHT #	PALLET QTY	PART NO.
Standard Open Bottom	12"	8	8,000 / 12,000	275	1	E0A487812A
	18"		8,000 / 12,000	294	1	E0A487818A
	24"		8,000 / 12,000	312	1	E0A487824A
	36"		8,000 / 12,000	331	1	E0A487836A
Standard Open Bottom	12"	15	15,000 / 22,500	275	1	E0B487812A
	18"		15,000 / 22,500	294	1	E0B487818A
	24"		15,000 / 22,500	312	1	E0B487824A
	36"		15,000 / 22,500	331	1	E0B487836A
Standard Open Bottom	12"	22	22,500 / 33,750	275	1	E0C487812A
	18"		22,500 / 33,750	294	1	E0C487818A
	24"		22,500 / 33,750	312	1	E0C487824A
	36"		22,500 / 33,750	331	1	E0C487836A

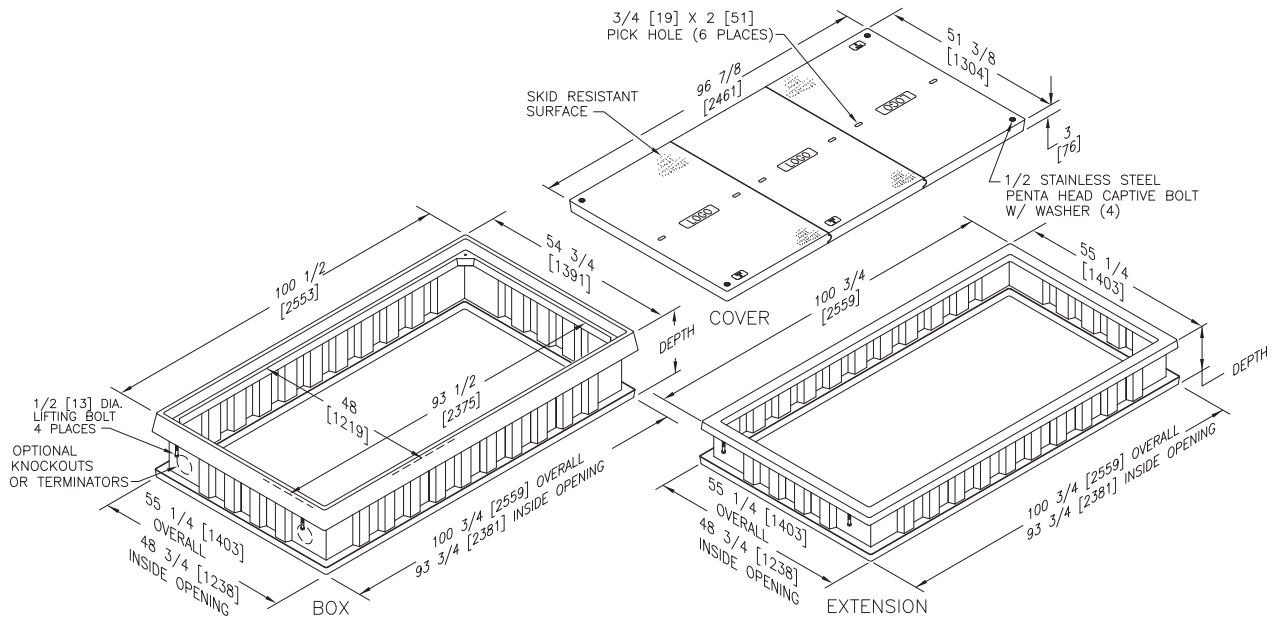
QUAZITE FRP



48" x 96" Corrugated Wall Style Assembly

Dimensions / Data

Penta Head Bolts are Standard



Covers

DESCRIPTION	TIER	DESIGN / TEST LOAD #	WEIGHT #	PALLET QTY	PART NO.
W/ 4 Bolts	8	8,000 / 12,000	402	2	C1A489603A***
No Bolts	8	8,000 / 12,000	402	2	C0A489603A***
W/ 4 Bolts	15	15,000 / 22,500	520	2	C1B489603A***
W/ 4 Bolts	22	22,500 / 33,750	520	2	C1C489603A***

Replace *** with a logo code found on page 146. See page 149 for other meter lid and touch/radio read cover options.

48" x 96" Corrugated Wall Style Assembly

Dimensions / Data

Penta Head Bolts are Standard

Boxes						
DESCRIPTION	DEPTH	TIER	DESIGN / TEST LOAD #	WEIGHT #	PALLET QTY	PART NO.
Standard Open Bottom	18"	8	8,000 / 12,000	694	1	B1A489618A
	24"		8,000 / 12,000	713	1	B1A489624A
	30"		8,000 / 12,000	729	1	B1A489630A
	36"		8,000 / 12,000	748	1	B1A489636A
	48"		8,000 / 12,000	767	1	B1A489648A
Standard Open Bottom	18"	15	15,000 / 22,500	776	1	B1B489618A
	24"		15,000 / 22,500	795	1	B1B489624A
	30"		15,000 / 22,500	811	1	B1B489630A
	36"		15,000 / 22,500	830	1	B1B489636A
	48"		15,000 / 22,500	849	1	B1B489648A
Standard Open Bottom	18"	22	22,500 / 33,750	776	1	B1C489618A
	24"		22,500 / 33,750	795	1	B1C489624A
	30"		22,500 / 33,750	811	1	B1C489630A
	36"		22,500 / 33,750	830	1	B1C489636A
	48"		22,500 / 33,750	849	1	B1C489648A

To order boxes with an integral bottom, replace the last character with "B".

To order adjust-to-grade boxes, replace the last character with "W".

NOTE: Cover rating cannot exceed box rating.

Bottom Extensions						
DESCRIPTION	DEPTH	TIER	DESIGN / TEST LOAD #	WEIGHT #	PALLET QTY	PART NO.
Standard Open Bottom	12"	8	8,000 / 12,000	299	1	E0A489612A
	18"		8,000 / 12,000	305	1	E0A489618A
	24"		8,000 / 12,000	311	1	E0A489624A
	36"		8,000 / 12,000	317	1	E0A489636A
	44"		8,000 / 12,000	323	1	E0A489644A
Standard Open Bottom	12"	15	15,000 / 22,500	299	1	E0B489612A
	18"		15,000 / 22,500	305	1	E0B489618A
	24"		15,000 / 22,500	311	1	E0B489624A
	36"		15,000 / 22,500	317	1	E0B489636A
	44"		15,000 / 22,500	323	1	E0B489644A
Standard Open Bottom	12"	22	22,500 / 33,750	299	1	E0C489612A
	18"		22,500 / 33,750	305	1	E0C489618A
	24"		22,500 / 33,750	311	1	E0C489624A
	36"		22,500 / 33,750	317	1	E0C489636A
	44"		22,500 / 33,750	323	1	E0C489644A

78" x 96" Corrugated Wall Style Assembly

Dimensions / Data

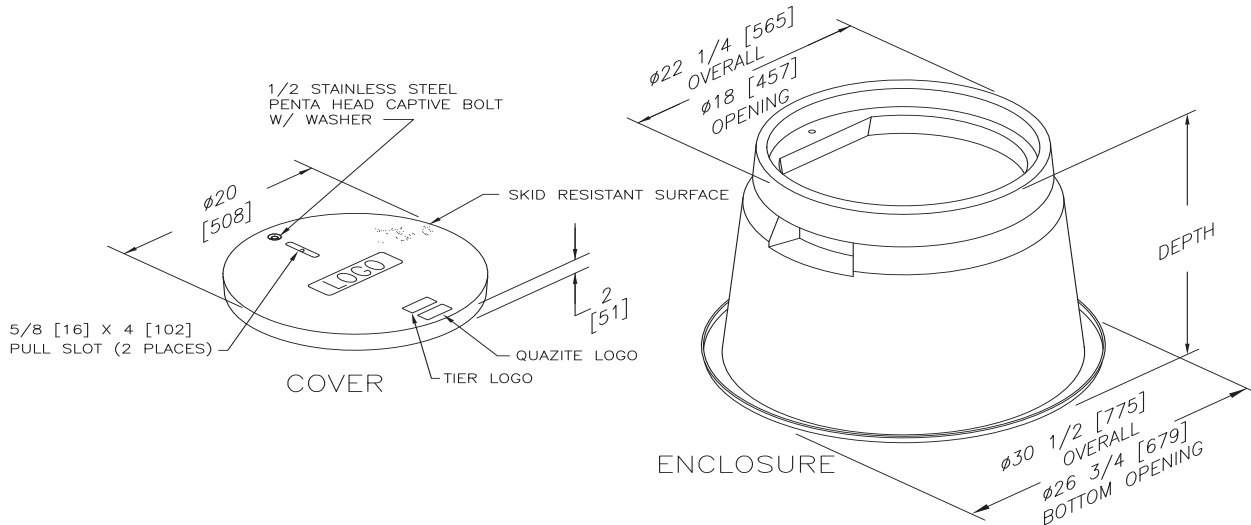
Penta Head Bolts are Standard

Bottom Extensions						
DESCRIPTION	DEPTH	TIER	DESIGN / TEST LOAD #	WEIGHT #	PALLET QTY	PART NO.
Standard Open Bottom	12"	8	8,000 / 12,000	1,050	1	E0A789612A
	24"		8,000 / 12,000	1,063	1	E0A789624A
	36"		8,000 / 12,000	1,076	1	E0A789636A
	44"		8,000 / 12,000	1,089	1	E0A789644A
Standard Open Bottom	12"	15	15,000 / 22,500	1,050	1	E0B789612A
	24"		15,000 / 22,500	1,063	1	E0B789624A
	36"		15,000 / 22,500	1,076	1	E0B789636A
	44"		15,000 / 22,500	1,089	1	E0B789644A
Standard Open Bottom	12"	22	22,500 / 33,750	1,050	1	E0C789612A
	24"		22,500 / 33,750	1,063	1	E0C789624A
	36"		22,500 / 33,750	1,076	1	E0C789636A
	44"		22,500 / 33,750	1,089	1	E0C789644A

QUAZITE FRP



Penta Head Bolts are Standard



Covers

DESCRIPTION	TIER	DESIGN / TEST LOAD #	WEIGHT #	PALLET QTY	PART NO.
W/ 1 Bolt	8	8,000 / 12,000	23	20	C10200002A***
W/ 1 Bolt	15	15,000 / 22,500	34	20	C12200002A***
W/ 1 Bolt	22	22,500 / 33,750	34	20	C16200002A***
No Bolts	8	8,000 / 12,000	23	20	C00200002A***

Replace *** with a logo code found on page 146.

Boxes

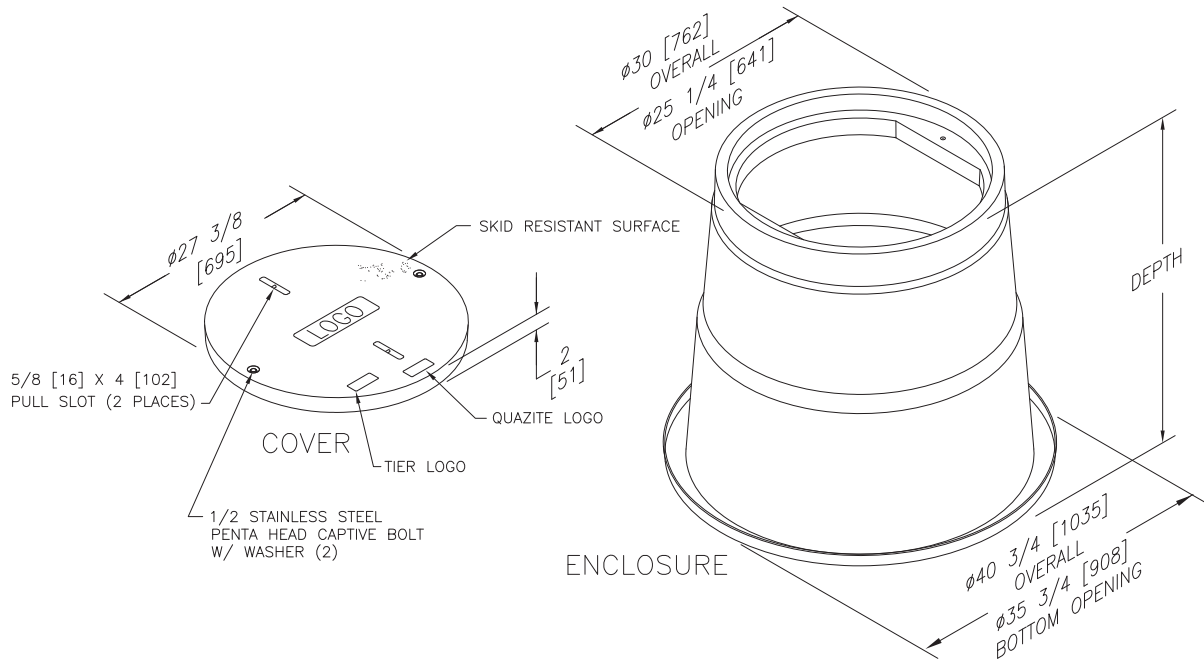
DESCRIPTION	DEPTH	TIER	DESIGN / TEST LOAD #	WEIGHT #	PALLET QTY	PART NO.
Standard Open Bottom	24"	8	8,000 / 12,000	48	10	B10200024A
	48"		8,000 / 12,000	96	6	B10200048A
Standard Open Bottom	24"	15	15,000 / 22,500	59	10	B12200024A
	48"		15,000 / 22,500	118	6	B12200048A
Standard Open Bottom	24"	22	22,500 / 33,750	59	10	B19200024A
	48"		22,500 / 33,750	118	6	B19200048A

48" Depth created by bolting 2-24" deep boxes bottom to bottom.
 To order gasketed boxes, replace the last character with "G".
 Gaskets reduce the inflow of fluids but do not make the enclosure water tight.
 NOTE: Cover rating cannot exceed box rating.

2700 Round FRP (Nestable) Assembly

Dimensions / Data

Penta Head Bolts are Standard



Covers

DESCRIPTION	TIER	DESIGN / TEST LOAD #	WEIGHT #	PALLET QTY	PART NO.
W/ 2 Bolts	8	8,000 / 12,000	50	10	C10270002A***
W/ 2 Bolts	15	15,000 / 22,500	65	10	C12270002A***
No Bolts	8	8,000 / 12,000	50	10	C00270002A***

Replace *** with a logo code found on page 146.

Boxes

DESCRIPTION	DEPTH	TIER	DESIGN / TEST LOAD #	WEIGHT #	PALLET QTY	PART NO.
Standard Open Bottom	36"	8	8,000 / 12,000	95	5	B10270036A
	72"		8,000 / 12,000	190	1	B10270072A
Standard Open Bottom	36"	15	15,000 / 22,500	121	5	B12270036A
	72"		15,000 / 22,500	242	1	B12270072A

To order gasketed boxes, replace the last character with "G".
 72" Depth created by bolting 2-36" deep boxes bottom to bottom.
 Gaskets reduce the inflow of fluids but do not make the enclosure water tight.
 NOTE: Cover rating cannot exceed box rating.

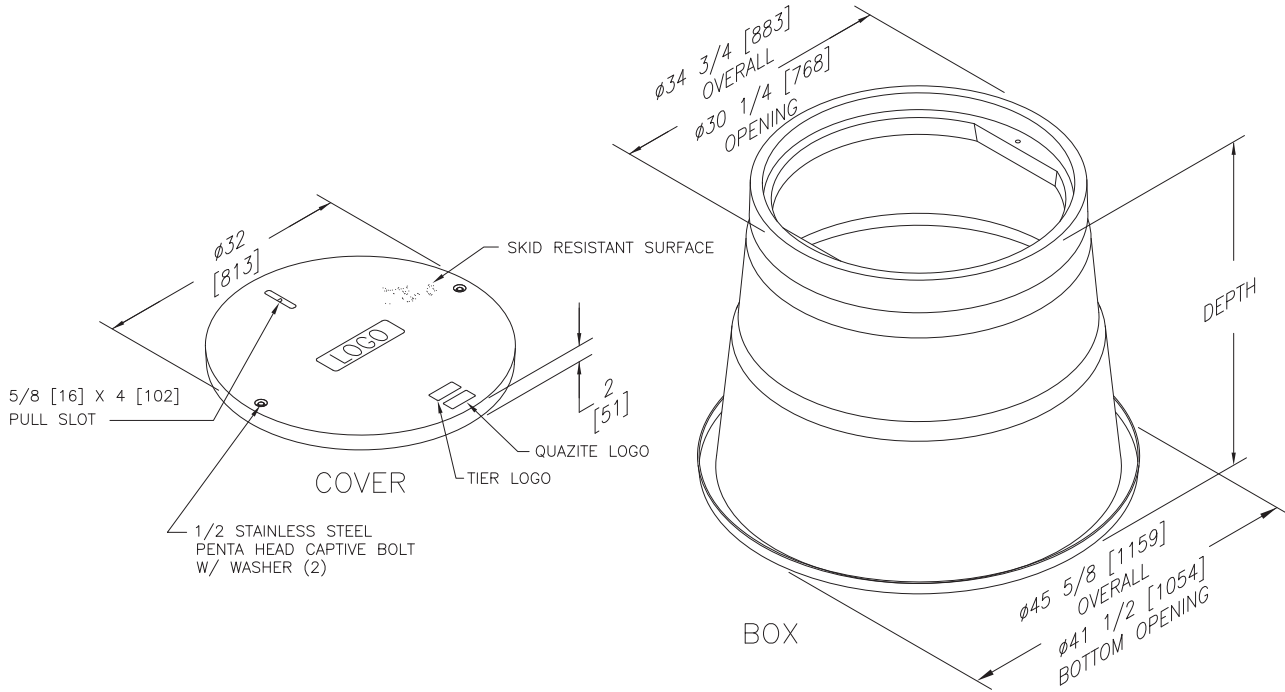
QUAZITE FRP



3200 Round Enclosure FRP (Nestable) Assembly

Dimensions / Data

Penta Head Bolts are Standard



Covers

DESCRIPTION	TIER	DESIGN / TEST LOAD #	WEIGHT #	PALLET QTY	PART NO.
W/ 2 Bolts	8	8,000 / 12,000	91	10	C10320002A***
W/ 2 Bolts	15	15,000 / 22,500	106	10	C12320002A***
W/ 2 Bolts	22	22,500 / 33,750	106	10	C16320002A***
No Bolts	8	8,000 / 12,000	91	10	C00320002A***

Replace *** with a logo code found on page 146.

Boxes

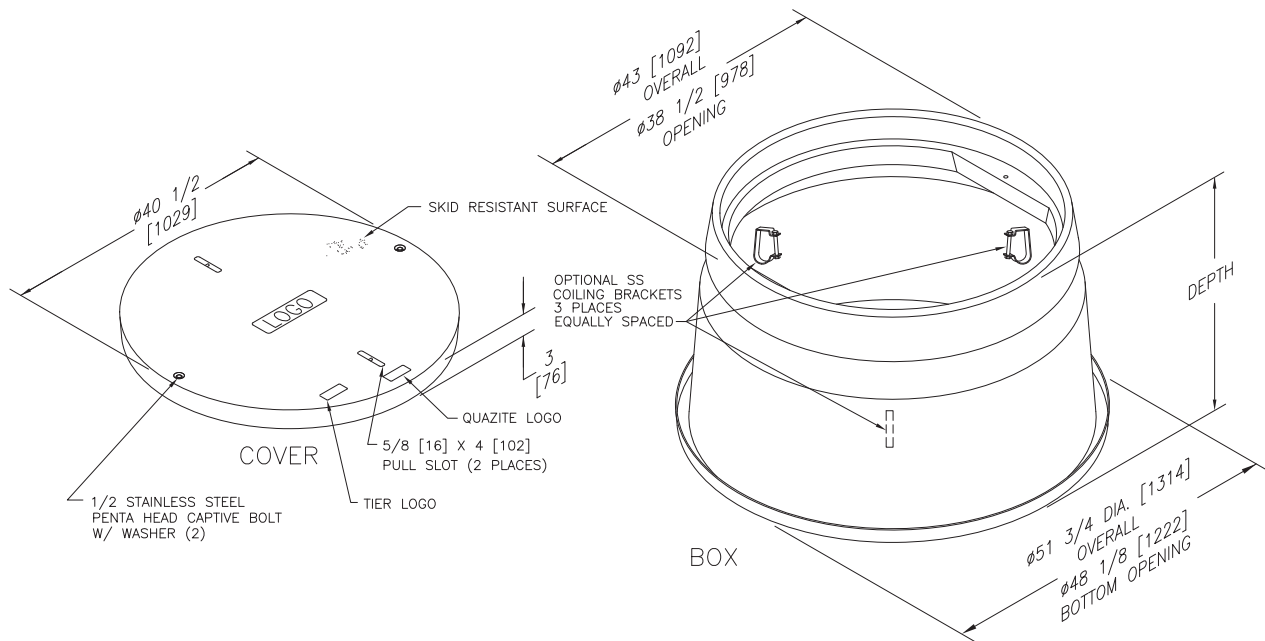
DESCRIPTION	DEPTH	TIER	DESIGN / TEST LOAD #	WEIGHT #	PALLET QTY	PART NO.
Standard Open Bottom	36"	8	8,000 / 12,000	95	5	B10320036A
Standard Open Bottom	36"	15	15,000 / 22,500	121	5	B12320036A
Standard Open Bottom	36"	22	22,500 / 33,750	121	5	B19320036A

To order gasketed boxes, replace the last character with "G".
Gaskets reduce the inflow of fluids but do not make the enclosure water tight.
NOTE: Cover rating cannot exceed box rating.

3900 Round Enclosure FRP (Nestable) Assembly

Dimensions / Data

Penta Head Bolts are Standard



Covers

DESCRIPTION	TIER	DESIGN / TEST LOAD #	WEIGHT #	PALLET QTY	PART NO.
W/ 2 Bolts	8	8,000 / 12,000	200	5	C10390003A***
W/ 2 Bolts	15	15,000 / 22,500	250	5	C12390003A***
W/ 2 Bolts	22	22,500 / 33,750	250	5	C16390003A***
No Bolts	8	8,000 / 12,000	200	5	C00390003A***

Replace *** with a logo code found on page 146.

Boxes

DESCRIPTION	DEPTH	TIER	DESIGN / TEST LOAD #	WEIGHT #	PALLET QTY	PART NO.
Standard Open Bottom	14"	8	8,000 / 12,000	154	1	B10390014A
	30"		8,000 / 12,000	168	1	B10390030A
	36"		8,000 / 12,000	175	1	B10390036A
Standard Open Bottom	14"	15	15,000 / 22,500	158	1	B12390014A
	30"		15,000 / 22,500	179	1	B12390030A
	36"		15,000 / 22,500	190	1	B12390036A
Standard Open Bottom	14"	22	22,500 / 33,750	158	1	B19390014A
	30"		22,500 / 33,750	179	1	B19390030A
	36"		22,500 / 33,750	190	1	B19390036A

To order gasketed boxes, replace the last character with "G".
Gaskets reduce the inflow of fluids but do not make the enclosure water tight.
NOTE: Cover rating cannot exceed box rating.

QUAZITE FRP



Most commonly used cover logos are shown below.
 Custom logos are available. Contact your Quazite/Hubbell Representative.

Quazite® FRP Cover Options

LOGOS

FRP AND CORRUGATED LOGO CODES	DESCRIPTION
009	BLANK
010	CATV
012	COMMUNICATIONS
014	CONTROLS
017	ELECTRIC
021	FIBER OPTICS
022	FIRE ALARM
023	GAS
024	GROUND
026	HIGH VOLTAGE
029	LIGHTING
036	SECURITY
038	SIGNAL
040	STATE TRAFFIC SIGNAL
041	STREET LIGHTING
042	TELECOM
043	TELEPHONE
044	TRAFFIC
045	TRAFFIC CONTROL
046	TRAFFIC SIGNAL
048	TV
050	WATER
057	EMERGENCY
065	ILLUMINATION
081	DANGER HIGH VOLTAGE
084	POWER
092	TELECOMMUNICATIONS
03A	DOT
06B	INSTRUMENTATION
0ZA	IRRIGATION
K91	RECLAIMED WATER
KH1	FIBEROPTIC

Quazite® FRP Color Options



The standard color for QUAZITE FRP products is concrete gray. Various color options allow for blending with adjacent materials or special identification of enclosures. Some commonly requested colors include:

Color Sample	Description	Part No. Code
	Brick Red	R
	Munsell Green	G
	Light Green	F
	Cement Gray	C
	Charcoal Gray	D
	Black	B
	Pecan	T
	International Orange	A
	Purple	P
	Blue	U

Note: Printed colors are reference only and do not exactly represent product colors.

Contact your local Hubbell/Quazite representative for other special colors.

Specify color for FRP and corrugated by inserting the code letter into the 14th digit of the cover number and the 13th digit of the box number. (Example: C22304802J009R).

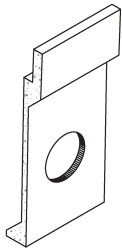
NOTE: Box color applies only to collar on FRP boxes.

QUAZITE FRP

FRP Enclosure Options:

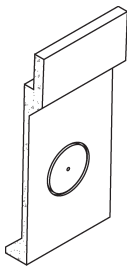
Quazite FRP features several different accessories for its boxes, including cable racks, unistrut racks, pulleys, knockouts, coiling brackets and terminators. Knockouts are pre-scored at the factory, allowing for easy break out without the need for special tools. Pulleys feature a forged-steel eye-nut and a steel-reinforcing plate.

Holes



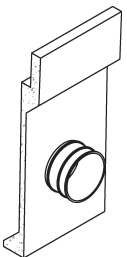
Conduit Sizes
(For actual hole sizes and locations see page 74.)
2"
3"
4" Electrical
4" Telephone
5"
6"
Other hole sizes available. Contact your local HUBBELL®/QUAZITE® representative for information
Special order boxes with holes (or mouseholes, etc.) may qualify for UL Listing as long as the holes do not exceed more than 25% of the area of each sidewall and as long as the holes do not cut into a structural reinforcing rib corner or box lip.

Knockouts



Conduit Sizes
(For actual hole sizes and locations see page 74.)
2"
3"
4" Electrical
4" Telephone
5"
6"
Other knockout sizes available. Contact your local HUBBELL®/QUAZITE® representative for information
Special order boxes with holes (or mouseholes, etc.) may qualify for UL Listing as long as the holes do not exceed more than 25% of the area of each sidewall and as long as the holes do not cut into a structural reinforcing rib, corner or box lip.

Terminators



Conduit Sizes
(For actual hole sizes and locations see page 74.)
2"
3"
4" (Electrical and Telephone)*
5"
6"
*New 4" terminator design accommodates both electrical and telephone conduit sizes. Other terminator sizes available. Contact your local HUBBELL®/QUAZITE® representative for additional
Special order boxes with holes (or mouseholes, etc.) may qualify for UL Listing as long as the holes do not exceed more than 25% of the area of each sidewall and as long as the holes do not cut into a structural reinforcing rib, corner or box lip.

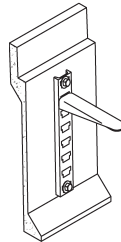
Strut Racks



Box and cover struts available. Contact your local HUBBELL®/QUAZITE® representative for sizes.

Width x Depth
1 5/8" x 1 5/8"

Cable Racks and Rack Hooks - Galvanized

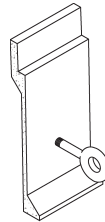


Steel

Cable Racks available in the following lengths:
12" length C080911
18" length C080910
24" length C080915
30" length C080920
36" length C080921

Cable Rack Hooks	Part No.
7 1/2" length	C2031132
10" length	C2031133

Pulling Eyes



Available Ratings
1,500 lbs.
3,000 lbs.
10,000 lbs.

Captive Bolts

Captive bolts are standard on all FRP products except for the 6 x 8 enclosure. Captive bolts prevent the bolt from falling out of the cover when the cover is removed.

EZ - Locate

The EZ Locate System allows the #6 – #24 AWG ground wires / bonding harnesses or tracer wires to be quickly isolated from the grounding electrode.

The telescoping body is made from stainless steel; the isolating ground switch is made from engineering-grade thermo-plastic and tin-plated copper alloy components to prevent corrosion.

Available Sizes
17x30 and 24x36



FRP Enclosure Options:

Bolt Holes

Sizes

3/8"

1/4"

1/2"

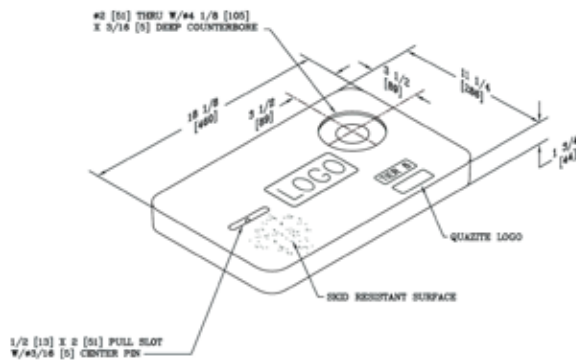
Inserts - 18-8 Stainless Steel

Available Sizes

3/8" or 1/2"

Touch/Radio Read Option

Holes for touch or radio read applications can be provided in covers as needed.



Pull Slots

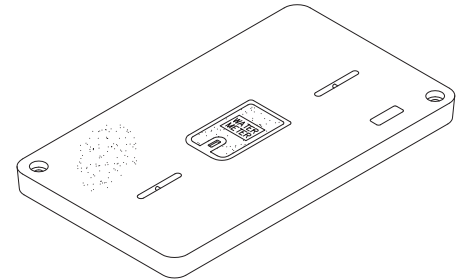
The standard cover pull slot measures 1/2" x 4". Bell cover pull slots measuring 1" x 4" are available upon request.

Hinged Meter Lids*

Available Sizes

Cast iron 4" x 6" lid

Cast iron 6" x 9" lid

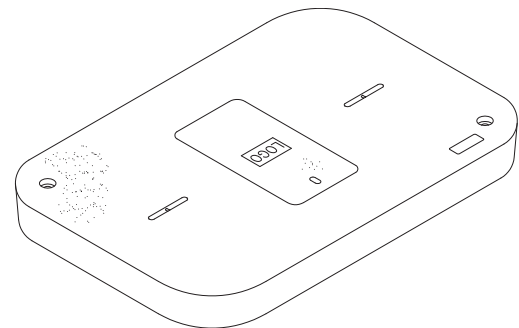


Drop-in Meter Lids*

Available Sizes

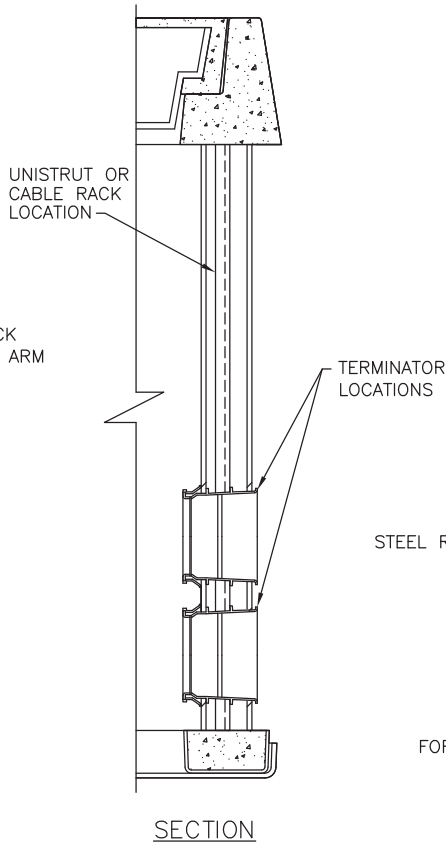
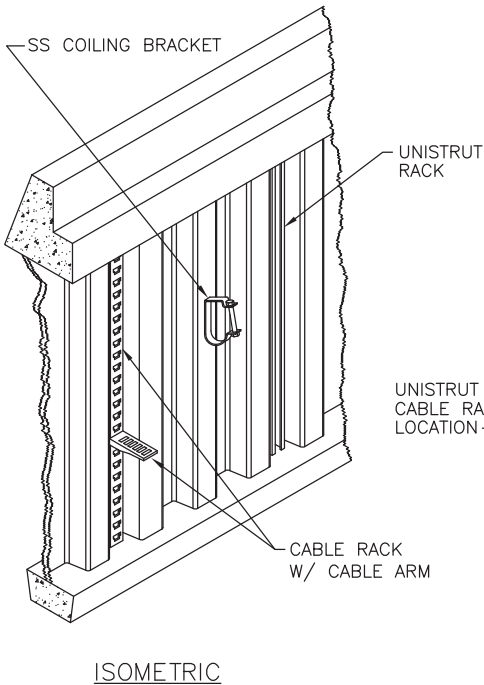
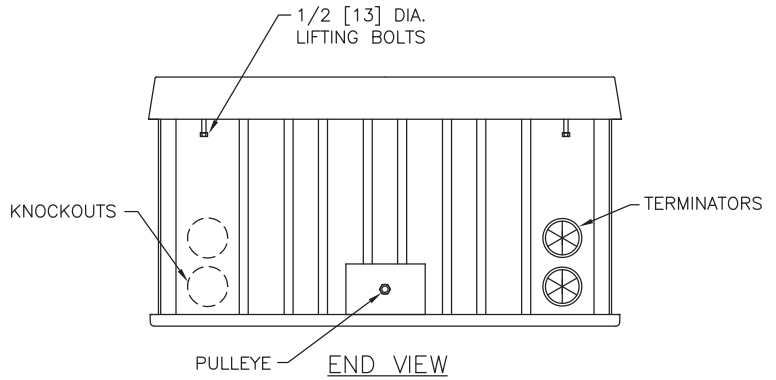
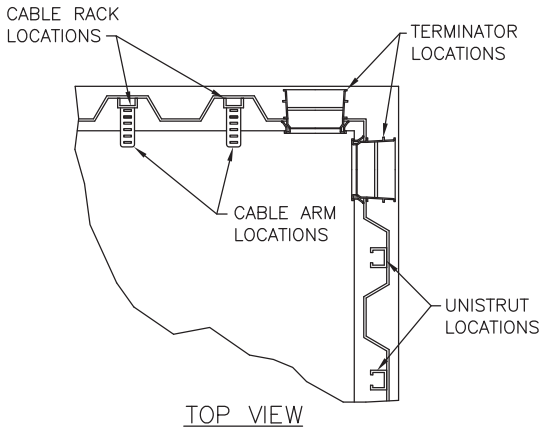
Polymer concrete 6" x 9" drop-in lid

Polymer concrete 7" x 13" drop-in lid



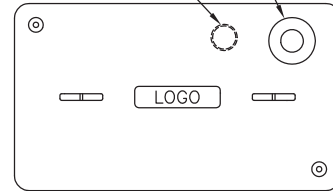
*Select sizes available in Tier 15.
Tier 22 not available.

Typical Features And Details of FRD Enclosures

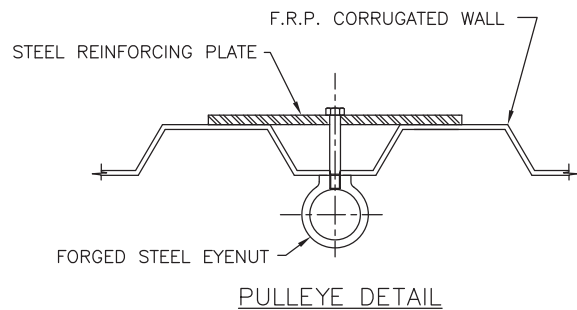


OPTIONAL 2 [51] DIA. THRU HOLE
W/ 4 1/8 [105] DIA. X 3/16 [5] C'BORE
TOUCH READ OR RADIO READ OPENING
MORE SIZES ARE AVAILABLE
CONTACT SALES ASSOCIATE
FOR MORE INFORMATION

OPTIONAL TELEPHONE OR ELECTRIC
EMS MARKER (CAST IN COVER)

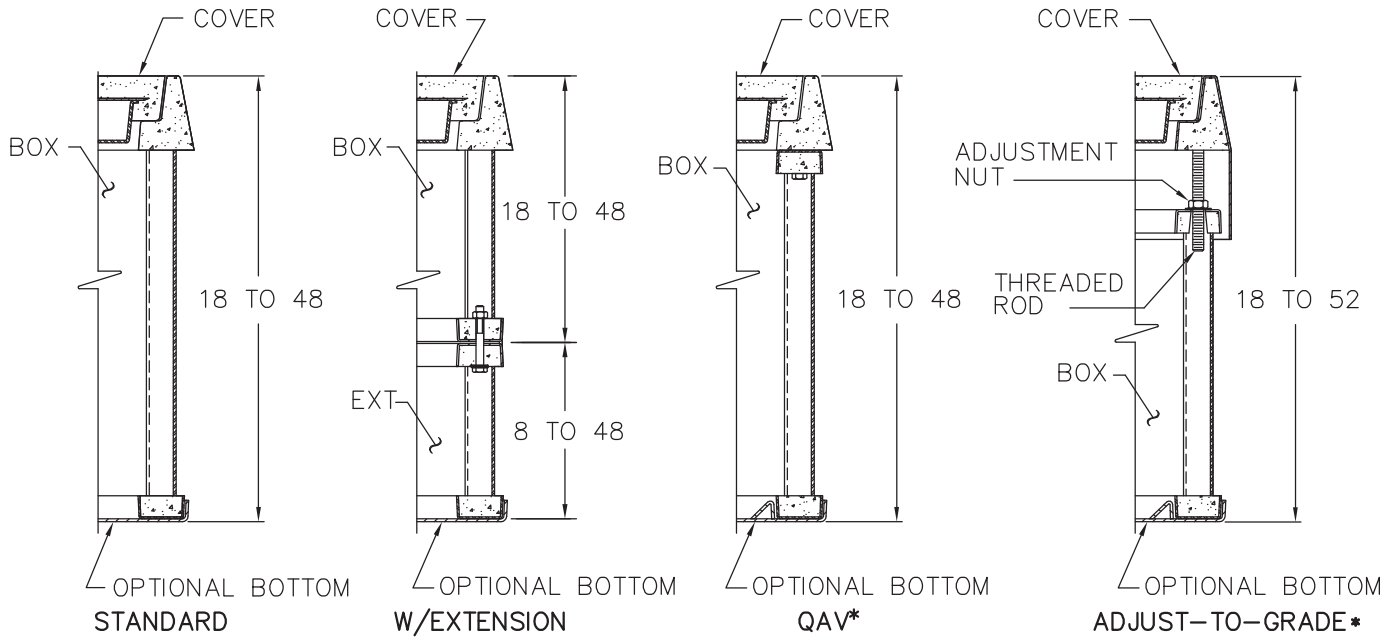


w/ ELECTRONIC MARKER
& TOUCH READER OPTIONS



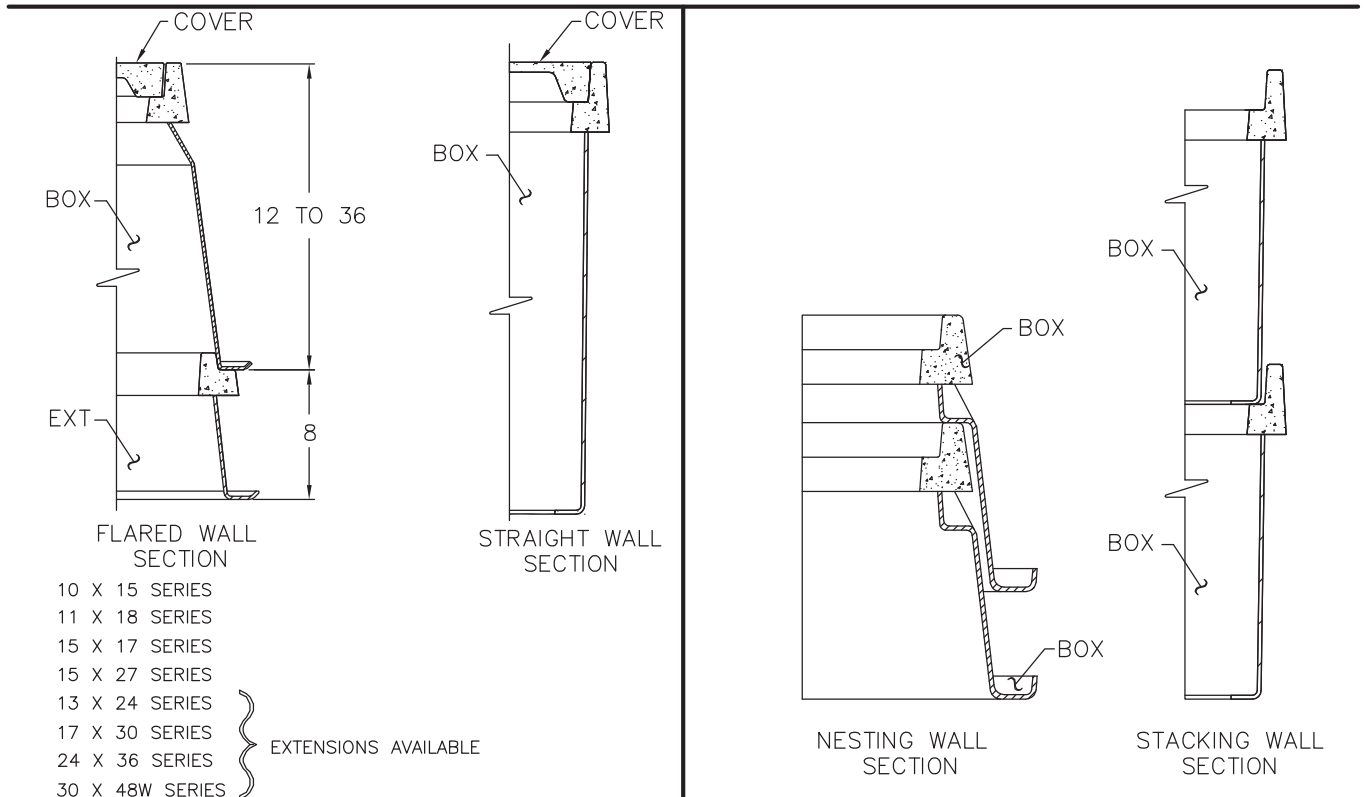
QUAZITE FRP

FRP Enclosure Specifications/Data



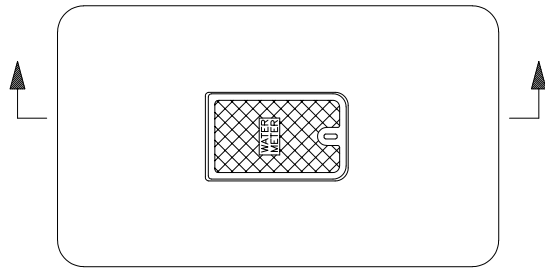
- | | |
|----------------|----------------|
| 30 X 48 SERIES | 48 X 72 SERIES |
| 30 X 60 SERIES | 48 X 78 SERIES |
| 36 X 60 SERIES | 48 X 96 SERIES |
| 48 X 48 SERIES | |

* CAN RETROFIT IN PLACE WITH TOP EXTENSIONS TO ACCOMODATE FUTURE GRADE CHANGES

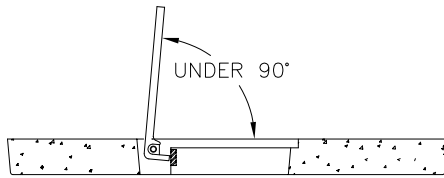


QUAZITE FRP

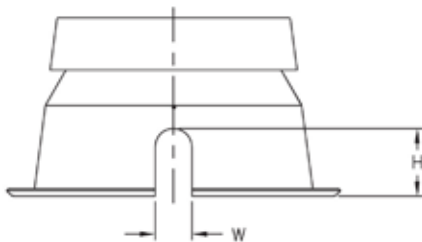
FRP Enclosure Options



HINGED CAST IRON READER DOOR
(FOR METER BOXES, WATER, GAS, ETC.)



SECTION SELF CLOSING LID



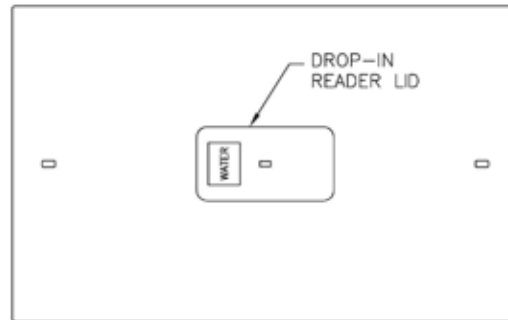
STANDARD MOUSEHOLES		
BOX SERIES	W	H
11 X 18	2-1/2	3
13 X 24	2-1/2	3
15 X 27	2-1/2	3
17 X 30	2-1/2	3
24 X 36	3	5
30 X 48	3	5
30 X 60	3	5
36 X 60 & LARGER	4	6

STANDARD READER DOOR LOCATION		
BOX SIZE	DOOR SIZE	DETAIL
11 X 18	4 X 6	A
13 X 24	4 X 6	A
15 X 27	4 X 6	A
17 X 30	6 X 9	A
24 X 36	6 X 9	A
30 X 48	6 X 9	A
36 X 60 (1PC)	6 X 9	A
36 X 60 (2PC)	6 X 9	B
48 X 78 (2PC)	6 X 9	B
48 X 96 (3PC)	6 X 9	*

* READER DOOR CENTERED
IN CENTER COVER

DETAIL "A"

DETAIL "B"



COVER



COVER SECTION

DROP IN READER LID SIZES	
6 x 9 x 1	
7 x 13 x 1	
9 x 15 x 1	

Select sizes available in Tier 15. Tier 22 not available.



Hubbell maintains a large inventory of PenCell enclosures to serve your needs.



PENCCELL





NEC and Underground Enclosures

The National Electric Code states in article 314.30 that enclosures "...shall be designed and installed to withstand all loads likely to be imposed..." and "addresses issues related to enclosure size, wiring entries, enclosures without bottoms and bonding requirements for covers."

The code references the ANSI/SCTE 77 "Specification for Underground Enclosure Integrity" National Standard, which outlines various tests that enclosures must pass to meet the standard. ANSI/SCTE 77 also provides load charts with Tier ratings to help users determine the appropriate enclosure to select based on the loadings expected in the application.

PenCell

PenCell DT enclosures with polymer concrete covers meet or exceed the test provisions of ANSI/SCTE 77 2017. To achieve this, PenCell enclosures must pass numerous material and product performance tests before they can meet ANSI/SCTE 77 2017.

Testing Requirements for ANSI/SCTE 77 2017

- Three-Position Load Testing to simulate actual application performance
- UV Degradation per ASTM G-154
- Fire Resistance per RUS 7CFR 1755.910 (PE-91)
- Chemical Resistance per ASTM D-543
- Water Absorption per ASTM D-570
- Impact Resistance per ASTM D2444

"K" Rating

For projects where Tier Ratings are not required, we offer products that have been tested in our labs to meet 5K, 10K or 20K loads. The K-load testing differs from ANSI/SCTE 77 Tier testing in that the K-load testing is a one-time, vertical cover test to ensure the enclosure can safely withstand the static load. By contrast, the ANSI/SCTE 77 Tier testing includes cyclic testing of enclosures in three positions: lateral sidewall, vertical sidewall and vertical cover. We carefully test and periodically retest our products to ensure they meet and will continue to meet the demands of their intended use.

Currently, there is not a standard for testing enclosures with a "K" load rating designation. No association should be made stating that enclosures with this designation meet the testing requirements of any standard such as ANSI/SCTE 77, WUC 3.6 or any other.

Cover Type	Cover Rating	Test Area
Plastic	5K (5,000 lbs)	10" X 10"
Steel	10K (10,000 lbs)	10" X 10"
Polymer Concrete	20K (20,000 lbs)	10" X 10"



PenCell Selection Guide

Style Guide – Tailored Product Variety.

We offer a wide variety of box styles in order to meet your most specialized enclosure needs. Each style offers specific strengths and assets for diverse functionality



• DT Style

Heavy duty straight wall enclosures made of a structurally ribbed HDPE box and a cover made from either polymer concrete or HDPE. DT series enclosures with polymer concrete covers achieve specific ANSI/SCTE 77 Tier ratings.



• PE Style

Light duty enclosures that include round models as well as rectangular vault models. Various cover options include HDPE or galvanized diamond plate steel. Spacers and lower extensions are available on specific rectangular vault models. Most rectangular vault models are adaptable to our above-grade pedestals.



• PM (PEM) Style

Grade level, HDPE enclosures offer a wide variety of sizes and cover configurations. It's tapered walls prevent frost heave while allowing the units to be nested during storage. This highly versatile series can be combined with various cover options that include polymer concrete, HDPE and even split 2-piece designs. Extensions are also available.



• PR (PEMR) Style

Round top enclosures made of an HDPE tapered box combined with a polymer concrete ring and cover. The round shape also prevents the cover from falling into the enclosure cavity.

PenCell: Available Size Chart

Style	Size	Depths	Load Rating Options
DT	11x18	9, 11, 18, 20	5k, Tier 15
	12x12	14, 16, 20, 25	5K, Tier 15
	13x24	15, 17, 18, 23	5K, Tier 15
	17x30	15, 17, 18, 24, 26, 30, 32, 36, 38*	5k, Tier 15, Tier 22 (24" and 36" depth only)
	24x36	18, 24, 36	5K, Tier 15, Tier 22
	30x48	24, 36	5K, Tier 15, Tier 22
PE	6	9	5K
	9	10	5K
	10	18, 19	5K
	14	12, 17*	5K
	20	15, 17	5K, 10K
	30	12, 17, 19*	5K, 10K
	36	15	5K
	10x15	12	5K
	11x18	12	3K
	13x24	12	3K
	17x30	12	3K
PM	10x10	12	20K
	12x12	24	20K
	12x18	24	20K
	12x20	18	20K
	12x24	24	20K
	18x18	24	20K
	18x24	24	20K
	18x30	24	20K
	24x24	18, 24, 30, 36, 42, 48	5K, 20K
	24x36	18, 24, 30, 36, 42, 48	5K, 20K
	24x48	18, 24, 30, 36, 42, 48	5K, 20K
	24x60	18, 24, 30, 36, 42, 48	5K, 20K
	30x36	18, 24, 30, 36, 42, 48	5K, 20K
	30x48	18, 24, 30, 36, 42, 48	5K, 20K
	30x60	18, 24, 30, 36, 42, 48	5K, 20K
	36x36	18, 24, 30, 36, 42, 48	5K, 20K
	36x48	18, 24, 30, 36, 42, 48	5K, 20K
36x60	18, 24, 30, 36, 42, 48	5K, 20K	
Round	12x12	24	20K

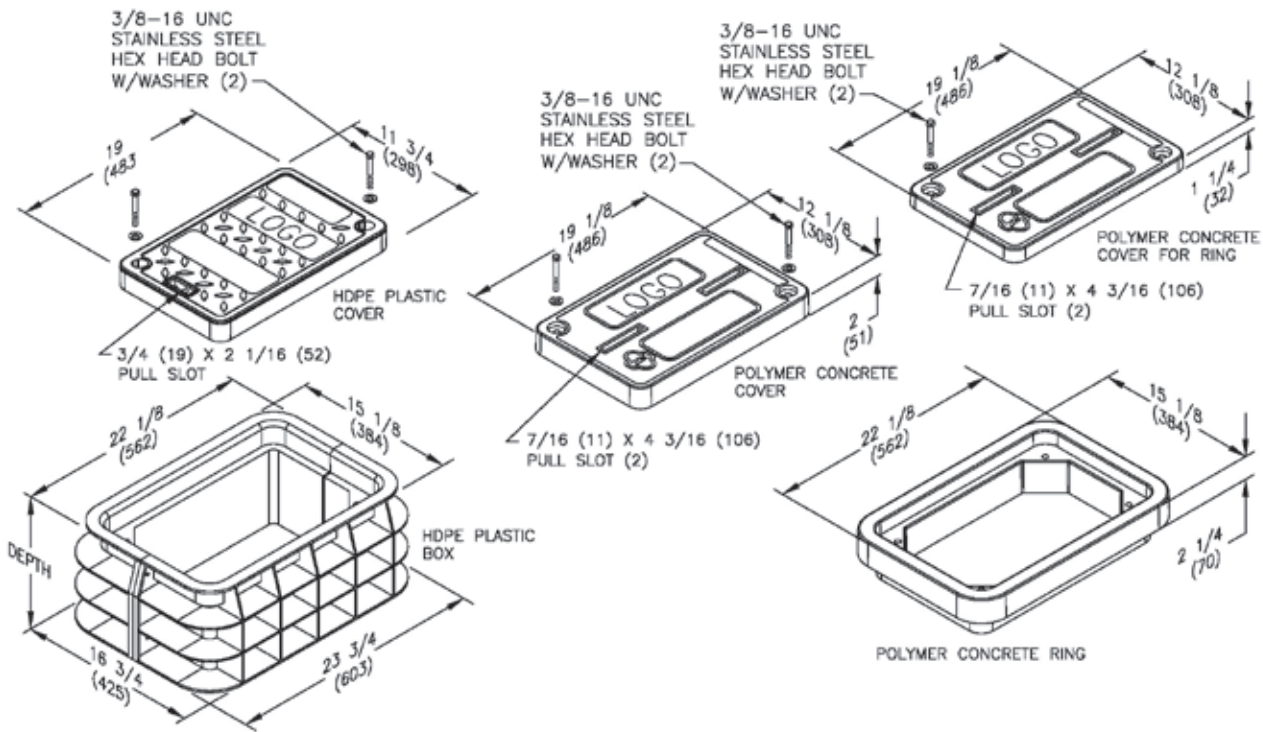
*Extensions Available



11" x 18" PenCell DT

Dimensions / Data

Hex Head Bolts are Standard



Assemblies

DESCRIPTION	DEPTH	TIER	DESIGN / TEST LOAD #	WEIGHT #	PALLET QTY	OLD PART NO.	NEW PART NO.
Box and Polymer Concrete Cover	9"	15	15,000 / 22,500	43	36	DT-2-1118PCH	DT111809PCH00***
Box w/ PC Ring and Cover	11"	15	15,000 / 22,500	62	33	DT-1118PCH	DT111812PRH00***
Box and HDPE Cover	9"	N/A	N/A / 5,000	15	54	DT-1118HD	DT111809HDHDI***
Box and Polymer Concrete Cover	18"	15	15,000 / 22,500	53	18	DT-2-1118-18PCH	DT111818PCH00***
Box w/ PC Ring and Cover	20"	15	15,000 / 22,500	72	30	DT-1118-20PCH	DT111820PRH00***
Box and HDPE Cover	18"	N/A	N/A / 5,000	25	30	DT-1118-18HDH	DT111818HDHDI***

Covers and Ring

DESCRIPTION	TIER	DESIGN / TEST LOAD #	WEIGHT #	MATERIAL	OLD PART NO.	NEW PART NO.
2" Poly Concrete w/ Bolts	15	15,000 / 22,500	33	Poly Concrete	DT-2-1118PCLH	DT1118CLH00***
1 1/4" Poly Conc w/ Bolts	15	15,000 / 22,500	22	Poly Concrete	DT-1118PCLH	DT1118CTH00***
HDPE Cover	N/A	N/A / 5,000	5	HDPE	DT-1118PLH	DT1118PLHDI***
2 1/4" PC Ring	15	15,000 / 22,500	19	Poly Concrete	PCRDT1118	DT1118RR

Replace *** with a logo code found on page 198.

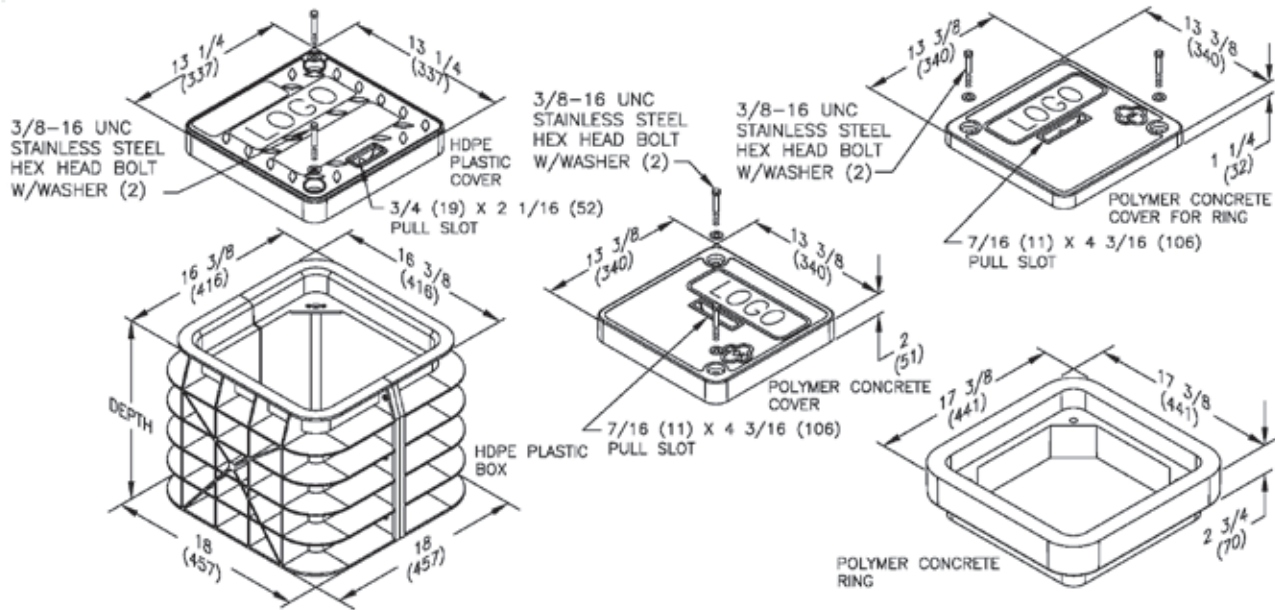
Boxes

DESCRIPTION	DEPTH	TIER	DESIGN / TEST LOAD #	WEIGHT #	PALLET QTY	OLD PART NO.	NEW PART NO.
Gray Open Bottom	9"	15	15,000 / 22,500	10	40	DT-1118GS-Y	DT111809GSY
Green Open Bottom	9"	15	15,000 / 22,500	10	40	DT-1118GS	DT111809GSN

12" x 12" PenCell DT

Dimensions / Data

Hex Head Bolts are Standard



Assemblies

DESCRIPTION	DEPTH	TIER	DESIGN / TEST LOAD #	WEIGHT #	PALLET QTY	OLD PART NO.	NEW PART NO.
Box and Concrete Cover	14"	15	15,000 / 22,500	38	35	DT-2-1212PCH	DT121212PCH00***
Box w/ PC Ring and Cover	16"	15	15,000 / 22,500	54	35	DT-1212PCH	DT121214PRH00***
Box and HDPE Cover	14"	N/A	N/A / 5,000	18	35	DT-1212HD	DT121212HDHDI***

Covers and Ring

DESCRIPTION	TIER	DESIGN / TEST LOAD #	WEIGHT #	MATERIAL	OLD PART NO.	NEW PART NO.
2" Poly Concrete w/ Bolts	15	15,000 / 22,500	24	Poly Concrete	DT-2-1212PCLH	DT121212CLH00***
1 1/4" Poly Conc w/ Bolts	15	15,000 / 22,500	17	Poly Concrete	DT-1212PCLH	DT121212CTH00***
HDPE Cover	N/A	N/A / 5,000	4	HDPE	DT-1212PLH	DT121212PLHDI***
2 1/4" PC Ring	15	15,000 / 22,500	23	Poly Concrete	PCRDT1212	DT1212RR

Replace *** with a logo code found on page 198.

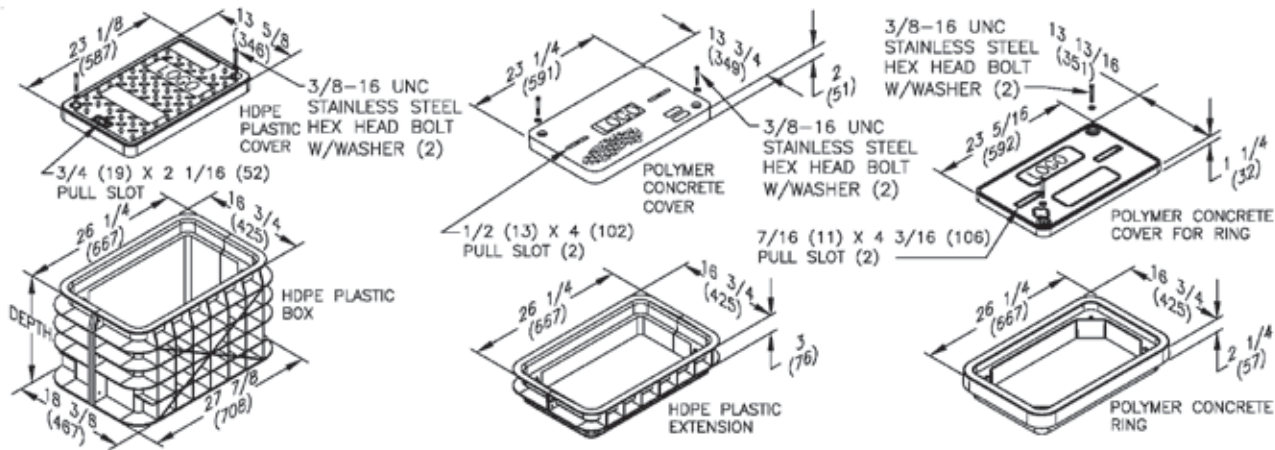
Boxes

DESCRIPTION	DEPTH	TIER	DESIGN / TEST LOAD #	WEIGHT #	PALLET QTY	OLD PART NO.	NEW PART NO.
Gray Open Bottom	14"	15	15,000 / 22,500	14	35	DT-1212GS-Y	DT121212GSY
Green Open Bottom	14"	15	15,000 / 22,500	14	35	DT-1212GS	DT121212GSN

PENCELL



Hex Head Bolts are Standard



Assemblies

DESCRIPTION	DEPTH	TIER	DESIGN / TEST LOAD #	WEIGHT #	PALLET QTY	OLD PART NO.	NEW PART NO.
Box and Polymer Concrete Cover	15"	15	15,000 / 22,500	63	25	DT-2-1324PCH	DT132415PCH00***
Box and HDPE Cover	15"	N/A	N/A / 5,000	26	25	DT-1324HD	DT132415HDHDI***
Box, Ext and Polymer Concrete Cover	18"	15	15,000 / 22,500	68	25	DT-2-1324-18PCH	DT132418PCH00***
Box w/ PC Ring and Cover	17"	15	15,000 / 22,500	85	25	DT-1324-18PCH	DT132418PRH00***
Box, Ext and HDPE Cover	18"	N/A	N/A / 5,000	31	25	DT-1324-18HDH	DT132418HDHDI***
Box, (2) Ext w/ PC Ring and Cover	23"	15	15,000 / 22,500	95	20	DT-1324-24PCH	DT132424PRH00***

Covers and Ring

DESCRIPTION	TIER	DESIGN / TEST LOAD #	WEIGHT #	MATERIAL	OLD PART NO.	NEW PART NO.
2" Poly Concrete w/ Bolts	15	15,000 / 22,500	43	Poly Concrete	DT-2-1324PCLH	DT1324CLH00***
1 1/4" Poly Conc w/ Bolts	15	15,000 / 22,500	65	Poly Concrete	DT-1324PCLH	DT1324CTH00***
HDPE Cover	N/A	N/A / 5,000	6	HDPE	DT-1324PLH	DT1324PLHDI***
2 1/4" PC Ring	15	15,000 / 22,500	22	Poly Concrete	PCRD1324	DT1324RR

Replace *** with a logo code found on page 198.

Boxes

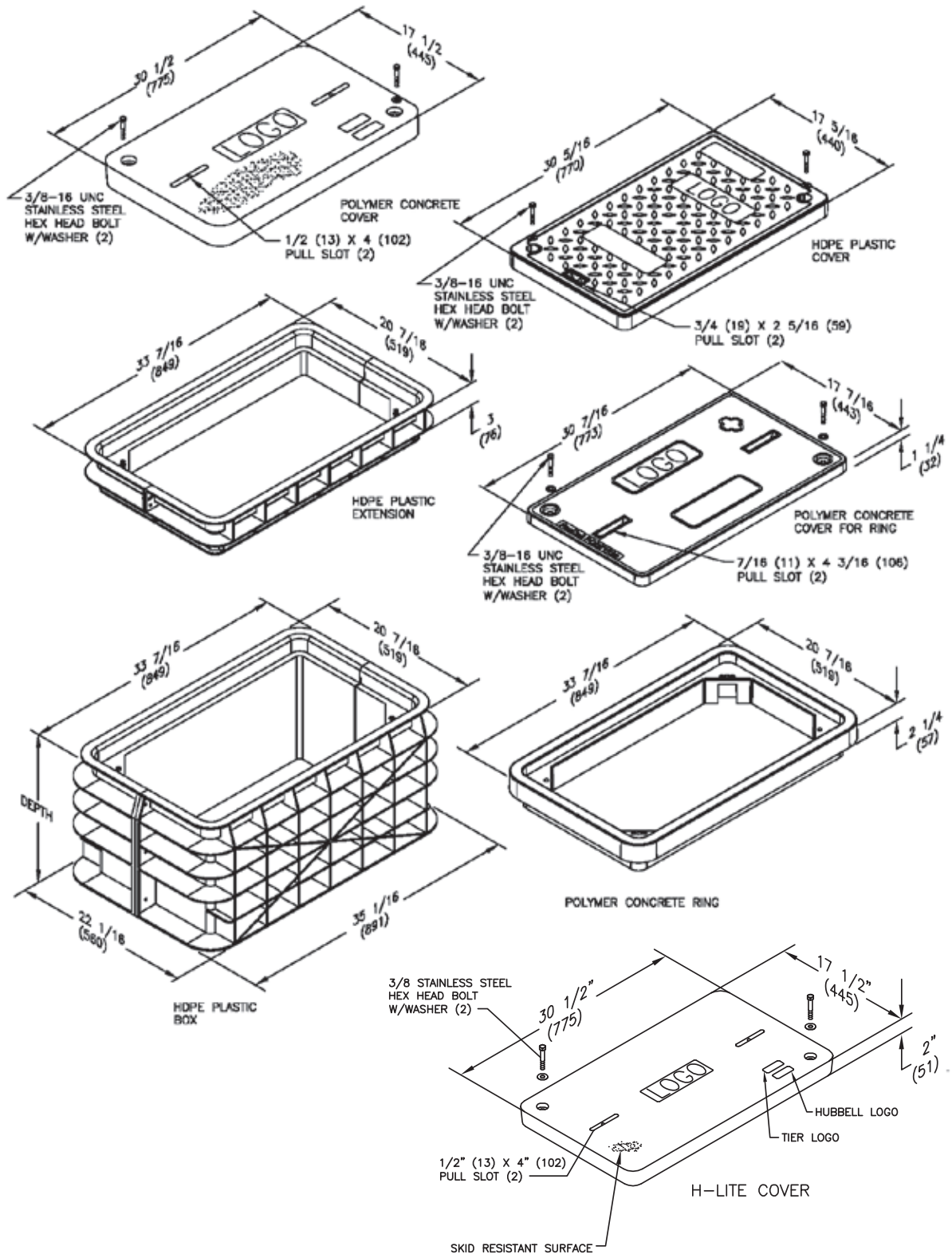
DESCRIPTION	DEPTH	TIER	DESIGN / TEST LOAD #	WEIGHT #	PALLET QTY	OLD PART NO.	NEW PART NO.
Gray Open Bottom	15"	15	15,000 / 22,500	20	25	DT-1324GS-Y	DT132415GSY
Green Open Bottom	15"	15	15,000 / 22,500	20	25	DT-1324GS	DT132415GSN

Extensions

DESCRIPTION	DEPTH	TIER	DESIGN / TEST LOAD #	WEIGHT #	PALLET QTY	OLD PART NO.	NEW PART NO.
HDPE Extension (Gray)	3"	15	15,000 / 22,500	5	40	DT-1324-3EXT-Y	DT132403EXY
HDPE Extension (Green)	3"	15	15,000 / 22,500	5	40	DT-1324-3EXT	DT132403EXN

17" x 30" PenCell DT

Dimensions / Data



PENCELL

Assemblies with Concrete Covers

DESCRIPTION	DEPTH	TIER	DESIGN / TEST LOAD #	WEIGHT #	PALLET QTY	OLD PART NO.	NEW PART NO.
Box and 2" Cover	15"	15	15,000 / 22,500	102	12	DT-2-1730PCH	DT173015PCH00***
W/ 3" Extension	18"	15	15,000 / 22,500	108	12	DT-2-1730-18PCH	DT173018PCH00***
Box, PC Ring and Cover	17 1/4"	15	15,000 / 22,500	123	12	DT-1730-18PCH	DT173018PRH00***
Box and 2" Cover	24"	15	15,000 / 22,500	124	12	DT-2-1730-24PCH	DT173024PCH00***
Box, PC Ring and Cover	26 1/4"	15	15,000 / 22,500	145	N/A	DT-1730-24PCH	DT173024PRH00***
W/ (2) 3" Extensions	30"	15	15,000 / 22,500	130	6	DT-2-1730-30PCH	DT173030PCH00***
Box, PC Ring and Cover							
W/ (2) 3" Extensions	32 1/4"	15	15,000 / 22,500	157	N/A	DT-1730-30PCH	DT173030PRH00***
Box and 2" Cover	36"	15	15,000 / 22,500	140	6	DT-2-1730-36PCH	DT173036PCH00***
Box, PC Ring and Cover	38 1/4"	15	15,000 / 22,500	161	N/A	DT-1730-36PCH	DT173036PRH00***

NOTE: Tier 22 available for 24" and 36" depth boxes/assemblies.

H-lite Assemblies

DESCRIPTION	DEPTH	TIER	DESIGN / TEST LOAD #	WEIGHT #	PART NUMBER
17" x 30" x 15" HDPE Box and 1-Piece H-Lite Cover	15"	15	15,000 / 22,500	44	DT173015PHH00***
17" x 30" x 18" HDPE Box and 1-Piece H-Lite Cover	18"	15	15,000 / 22,500	62	DT173018PHH00***
17" x 30" x 18" HDPE Box and 1-Piece H-Lite Cover	18"	22	22,500 / 33,750	72	DT173018Y2H00***
17" x 30" x 24" HDPE Box and 1-Piece H-Lite Cover	24"	15	15,000 / 22,500	71	DT173024PHH00***
17" x 30" x 24" HDPE Box and 1-Piece H-Lite Cover	24"	22	22,500 / 33,750	83	DT173024Y2H00***
17" x 30" x 36" HDPE Box and 1-Piece H-Lite Cover	36"	15	15,000 / 22,500	87	DT173036PHH00***
17" x 30" x 36" HDPE Box and 1-Piece H-Lite Cover	36"	22	22,500 / 33,750	103	DT173036Y2H00***

Assemblies with HDPE Covers

DESCRIPTION	DEPTH	TIER	DESIGN / TEST LOAD #	WEIGHT #	PALLET QTY	OLD PART NO.	NEW PART NO.
Box and Cover	15"	N/A	N/A / 5,000	35	12	DT-1730HD	DT173015HDH00***
W/ 3" Extension	18"	N/A	N/A / 5,000	41	12	DT-1730-HDH	DT173018HDH00***
Box and Cover	24"	N/A	N/A / 5,000	50	12	DT-1730-24HDH	DT173024HDH00***
W/ (2) 3" Extensions	30"	N/A	N/A / 5,000	57	6	DT-1730-30HDH	DT173030HDH00***
Box and Cover	36"	N/A	N/A / 5,000	73	6	DT-1730-36HDH	DT173036HDH00***

Replace *** with a logo code found on page 198.

17" x 30" PenCell DT (continued)

Dimensions / Data

Hex Head Bolts are Standard

Covers and Polymer Concrete Ring

DESCRIPTION	TIER	DESIGN / TEST LOAD #	WEIGHT #	MATERIAL	OLD PART NO.	NEW PART NO.
2" w/ Bolts	15	15,000 / 22,500	77	Poly Concrete	DT-2-1730PCLH	DT1730CLH00***
1 1/4" w/ Bolts	15	15,000 / 22,500	60	Poly Concrete	DT-1730PCLH	DT1730CTH00***
HDPE Cover	N/A	N/A / 5,000	10	HDPE	DT-1730PLH	DT1730PLHDI***
PC Ring	15	15,000 / 22,500	38	Poly Concrete	PCRDT1730	DT1730RR

NOTE: Tier 22 available for 24" and 36" depth boxes/assemblies.

H-lite Covers Only

DESCRIPTION	DEPTH	TIER	DESIGN / TEST LOAD #	WEIGHT #	PART NUMBER
17" x 30" H-Lite 1-Piece Cover Only	2"	15	15,000 / 22,500	24	HL1730DTCRO***
17" x 30" H-Lite 1-Piece Cover Only	2"	22	22,500 / 33,750	24	HL1730DTCNO***

Replace *** with a logo code found on page 198.

Boxes

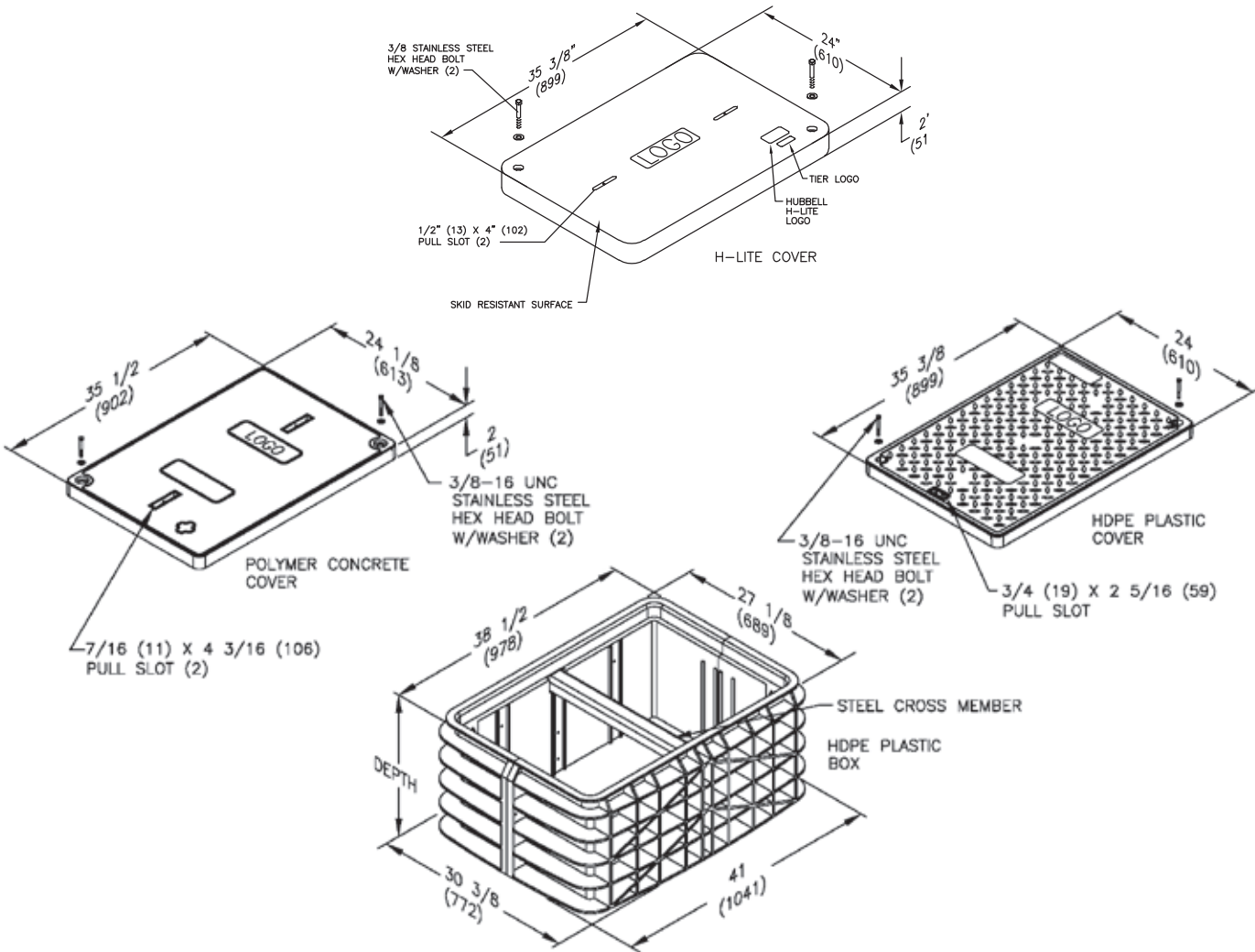
DESCRIPTION	DEPTH	TIER	DESIGN / TEST LOAD #	WEIGHT #	PALLET QTY	OLD PART NO.	NEW PART NO.
Gray Open Bottom	15"	15	15,000 / 22,500	25	12	DT-1730GS-Y	DT173015GSY
Green Open Bottom	15"	15	15,000 / 22,500	25	12	DT-1730GS	DT173015GSN
Gray Open Bottom	24"	15	15,000 / 22,500	47	12	DT-1730-24GS-Y	DT173024GSY
Green Open Bottom	24"	15	15,000 / 22,500	47	12	DT-1730-24GS	DT173024GSN
Gray Open Bottom	36"	15	15,000 / 22,500	63	6	DT-1730-36GS-Y	DT173036GSY
Green Open Bottom	36"	15	15,000 / 22,500	63	6	DT-1730-36GS	DT173036GSN

NOTE: Tier 22 available for 24" and 36" depth boxes/assemblies.

Extensions

DESCRIPTION	DEPTH	TIER	DESIGN / TEST LOAD #	WEIGHT #	PALLET QTY	OLD PART NO.	NEW PART NO.
Gray	3"	15	15,000 / 22,500	6	40	DT-1730-3EXT-Y	DT173003EXY
Green	3"	15	15,000 / 22,500	6	40	DT-1730-3EXT	DT173003EXN

PENCELL



Assemblies

DESCRIPTION	DEPTH	TIER	DESIGN / TEST LOAD #	WEIGHT #	PALLET QTY	OLD PART NO.	NEW PART NO.
Box and Polymer Concrete Cover	18"	15	15,000 / 22,500	164	2	DT-2-2436-18PCH	DT243618PCH00***
Box and HDPE Cover	18"	N/A	N/A / 5,000	65	6	DT-2436-18H	DT243618HDHDI***
Box and Polymer Concrete Cover	24"	15	15,000 / 22,500	180	4	DT-2-2436PCH	DT243624PCH00***
Box and HDPE Cover	24"	N/A	N/A / 5,000	81	4	DT-2436HD	DT243624HDHDI***
Box and Polymer Concrete Cover	36"	15	15,000 / 22,500	229	2	DT-2-2436-36PCH	DT243636PCH00***
Box and HDPE Cover	36"	N/A	N/A / 5,000	130	2	DT-2436PLH	DT243636HDHDI***

24" x 36" PenCell DT

Dimensions / Data

Hex Head Bolts are Standard

H-lite Assemblies

DESCRIPTION	DEPTH	TIER	DESIGN / TEST LOAD #	WEIGHT #	PART NUMBER
24" x 36" x 18" HDPE Box and 1-Piece H-Lite Cover	18"	15	15,000 / 22,500	83	DT243618PHH00***
24" x 36" x 18" HDPE Box and 1-Piece H-Lite Cover	18"	22	22,500 / 33,750	93	DT243618Y2H00***
24" x 36" x 24" HDPE Box and 1-Piece H-Lite Cover	24"	15	15,000 / 22,500	99	DT243624PHH00***
24" x 36" x 24" HDPE Box and 1-Piece H-Lite Cover	24"	22	22,500 / 33,750	111	DT243624Y2H00***
24" x 36" x 36" HDPE Box and 1-Piece H-Lite Cover	36"	15	15,000 / 22,500	173	DT243636PHH00***
24" x 36" x 36" HDPE Box and 1-Piece H-Lite Cover	36"	22	22,500 / 33,750	189	DT243636Y2H00***

Covers

DESCRIPTION	TIER	DESIGN / TEST LOAD #	WEIGHT #	MATERIAL	OLD PART NO.	NEW PART NO.
2" with Bolts	15	15,000 / 22,500	117	Poly Concrete	DT-2-2436PCLH	DT2436CLH00***
HDPE w/ Bolts	N/A	N/A / 5,000	18	HDPE	DT-2436PLH	DT2436PLHD1***

Replace *** with a logo code found on page 198. NOTE: Tier 22 available. Available with EZ Locate. See page 201 for more information.

H-lite Covers Only

DESCRIPTION	DEPTH	TIER	DESIGN / TEST LOAD #	WEIGHT #	PART NUMBER
24" x 36" H-Lite 1-Piece Cover Only	2"	15	15,000 / 22,500	36	HL2436DTCRO***
24" x 36" H-Lite 1-Piece Cover Only	2"	22	22,500 / 33,750	36	HL2436DTCNO***

Replace *** with a logo code found on page 198.

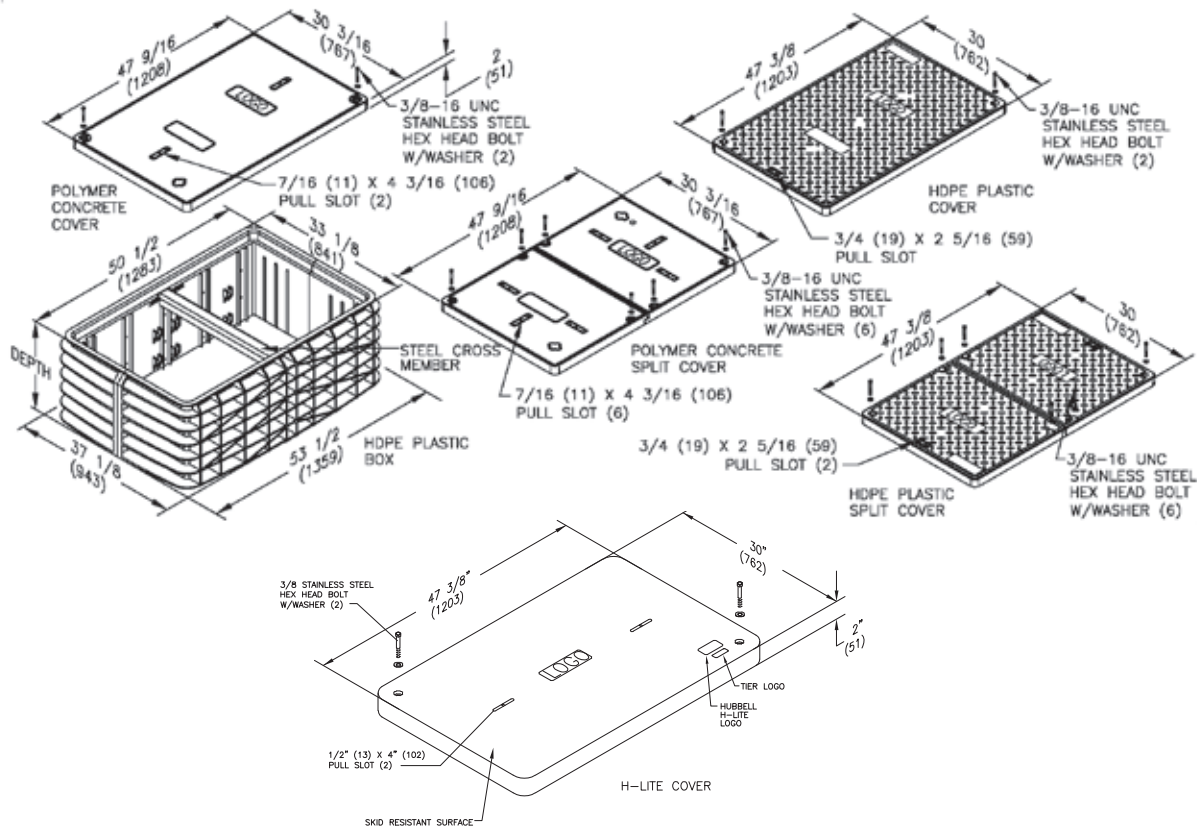
Boxes

DESCRIPTION	DEPTH	TIER	DESIGN / TEST LOAD #	WEIGHT #	PALLET QTY	OLD PART NO.	NEW PART NO.
Gray Open Bottom	18"	15	15,000 / 22,500	47	6	DT-2436-18GS-Y	DT243618GSY
Green Open Bottom	18"	15	15,000 / 22,500	47	6	DT-2436-18GS	DT243618GSN
Gray Open Bottom	24"	15	15,000 / 22,500	63	4	DT-2436-24GS-Y	DT243624GSY
Green Open Bottom	24"	15	15,000 / 22,500	63	4	DT-2436-24GS	DT243624GSN
Gray Open Bottom	36"	15	15,000 / 22,500	112	2	DT-2436-36GS-Y	DT243636GSY
Green Open Bottom	36"	15	15,000 / 22,500	112	2	DT-2436-36GS	DT243636GSN

PENCELL



Hex Head Bolts are Standard



Assemblies

DESCRIPTION	DEPTH	TIER	DESIGN / TEST LOAD #	WEIGHT #	PALLET QTY	OLD PART NO.	NEW PART NO.
Box and Polymer Concrete Cover	24"	15	15,000 / 22,500	285	1	DT-2-3048-24PCH	DT304824PCH00***
Box and HDPE Cover	24"	N/A	N/A / 5,000	109	1	DT-3048-24H	DT304824HDHDJ***
Box and Polymer Concrete Cover	36"	15	15,000 / 22,500	322	1	DT-2-3048-36PCH	DT304836PCH00***
Box and HDPE Cover	36"	N/A	N/A / 5,000	146	1	DT-3048-36H	DT304836HDHDJ***

H-lite Assemblies

DESCRIPTION	DEPTH	TIER	DESIGN / TEST LOAD #	WEIGHT #	PART NUMBER
30" x 48" x 18" HDPE Box and 1-Piece H-Lite Cover	18"	15	15,000 / 22,500	119	DT304818PHH00***
30" x 48" x 18" HDPE Box and 1-Piece H-Lite Cover	18"	22	22,500 / 33,750	129	DT304818Y2H00***
30" x 48" x 24" HDPE Box and 1-Piece H-Lite Cover	24"	15	15,000 / 22,500	140	DT304824PHH00***
30" x 48" x 24" HDPE Box and 1-Piece H-Lite Cover	24"	22	22,500 / 33,750	152	DT304824Y2H00***
30" x 48" x 36" HDPE Box and 1-Piece H-Lite Cover	36"	15	15,000 / 22,500	177	DT304836PHH00***
30" x 48" x 36" HDPE Box and 1-Piece H-Lite Cover	36"	22	22,500 / 33,750	193	DT304836Y2H00***

*2-piece split cover is available in assembly.

30" x 48" PenCell DT

Dimensions / Data

H-lite Covers Only

DESCRIPTION	DEPTH	TIER	DESIGN / TEST LOAD #	WEIGHT #	PART NUMBER
30" x 48" H-Lite 1-Piece Cover	2"	15	15,000 / 22,500	55	HL3048DTCR0***
30" x 48" H-Lite 1-Piece Cover	2"	22	22,500 / 33,750	55	HL3048DTCN0***
30" x 48" H-Lite 2-Piece Cover	2"	15	15,000 / 22,500	55	HL3048STCR0***
30" x 48" H-Lite 2-Piece Cover	2"	22	22,500 / 33,750	55	HL3048STCN0***

Replace *** with a logo code found on page 198.

Covers

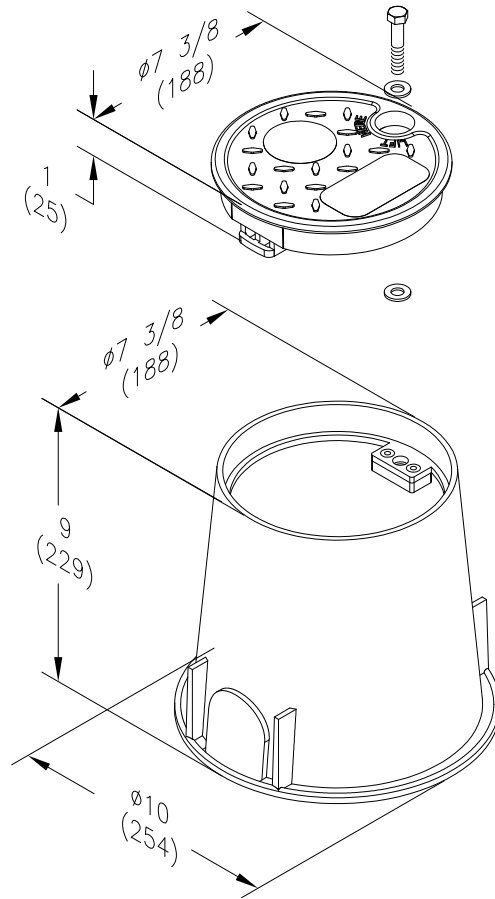
DESCRIPTION	TIER	DESIGN / TEST LOAD #	WEIGHT #	MATERIAL	OLD PART NO.	NEW PART NO.
2" w/ Bolts	15	15,000 / 22,500	200	Poly Concrete	DT-2-3048PCLH	DT3048CLH00***
HDPE w/ Bolts	N/A	N/A / 5,000	24	HDPE	DT-3048PLH	DT3048PLHD1***
2" Split Cover	15	15,000 / 22,500	216	Poly Concrete	PCLDT-2-3048-SPL	DT3048CSH00***
HDPE Split Cover	N/A	N/A / 5,000	26	HDPE	DT-3048PLH-SPL	DT3048SPHD1***

Replace *** with a logo code found on page 198. NOTE: Tier 22 available. Available with EZ Locate. See page 201 for more information.

Boxes

DESCRIPTION	DEPTH	TIER	DESIGN / TEST LOAD #	WEIGHT #	PALLET QTY	OLD PART NO.	NEW PART NO.
Gray Open Bottom	18"	15	15,000 / 22,500	64	N/A	DT-3048-18GS-Y	DT304818GSY
Green Open Bottom	18"	15	15,000 / 22,500	64	N/A	DT-3048-18GS	DT304818GSN
Gray Open Bottom	24"	15	15,000 / 22,500	85	4	DT-3048-24GS-Y	DT304824GSY
Green Open Bottom	24"	15	15,000 / 22,500	85	4	DT-3048-24GS	DT304824GSN
Gray Open Bottom	36"	15	15,000 / 22,500	122	2	DT-3048-36GS-Y	DT304836GSY
Green Open Bottom	36"	15	15,000 / 22,500	122	2	DT-3048-36GS	DT304836GSN

Hex Head Bolts are Standard



Assembly

DESCRIPTION	DEPTH	TIER	DESIGN LOAD #	WEIGHT #	PALLET QTY	OLD PART NO.	NEW PART NO.
Box and HDPE Cover	9"	N/A	5,000	2.3	100	PE6HDH00***	PE6AHDH00***

To order without hardware, replace the 7th digit in the part number with a zero.

Cover

DESCRIPTION	TIER	DESIGN LOAD #	WEIGHT #	MATERIAL	OLD PART NO.	NEW PART NO.
HDPE	N/A	5,000	0.6	HDPE	PE9PLH00***	PE6APLH00***

Replace *** with a logo code found on page 198.

Box

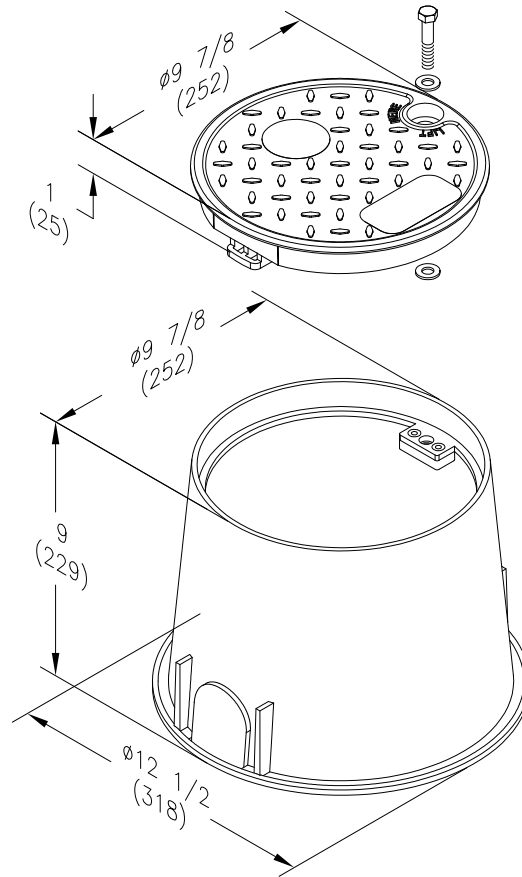
DESCRIPTION	DEPTH	TIER	DESIGN LOAD #	WEIGHT #	PALLET QTY	OLD PART NO.	NEW PART NO.
Green Open Bottom	9"	N/A	5,000	1.7	100	PE6GSI01	PE6AGSI01

Please contact your customer service representative or sales representative for help with cross referencing new part numbers.

9" PenCell PE

Dimensions / Data

Hex Head Bolts are Standard



Assembly

DESCRIPTION	DEPTH	TIER	DESIGN LOAD #	WEIGHT #	PALLET QTY	OLD PART NO.	NEW PART NO.
Box and HDPE Cover	9"	N/A	5,000	3.3	300	PE9HDH00***	PE9AHDH00***

To order without hardware, replace the 7th digit in the part number with a zero.

Cover

DESCRIPTION	TIER	DESIGN LOAD #	WEIGHT #	MATERIAL	OLD PART NO.	NEW PART NO.
HDPE	N/A	5,000	1	HDPE	PE9PLH00***	PE9APLH00***

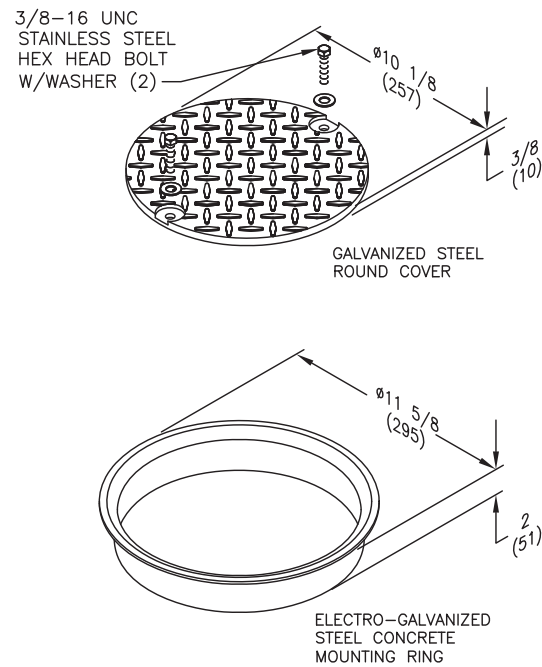
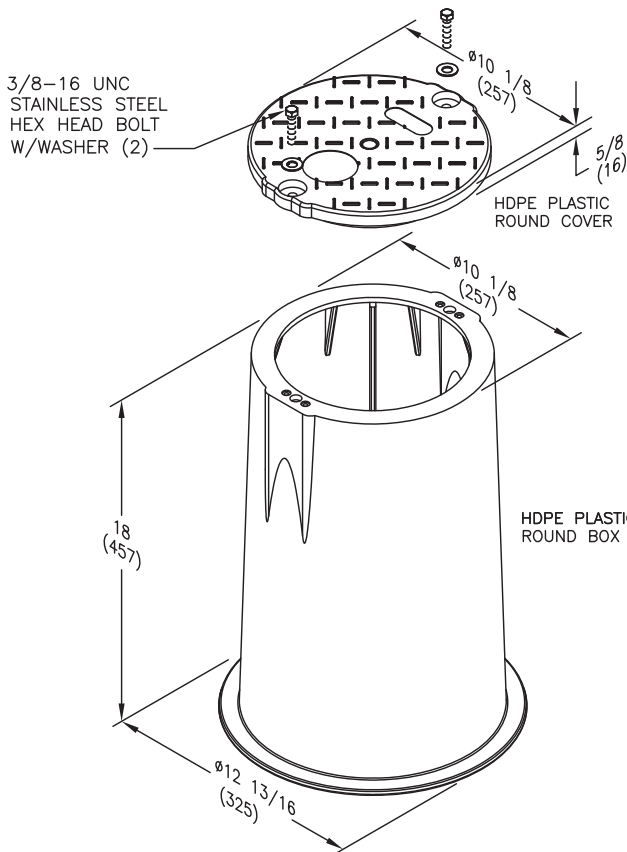
Replace *** with a logo code found on page 198.

Box

DESCRIPTION	DEPTH	TIER	DESIGN LOAD #	WEIGHT #	PALLET QTY	OLD PART NO.	NEW PART NO.
Green Open Bottom	9"	N/A	5,000	2.3	300	PE9GS101	PE9AGS101

Please contact your customer service representative or sales representative for help with cross referencing new part numbers.

Hex Head Bolts are Standard



Assemblies

DESCRIPTION	DEPTH	TIER	DESIGN / TEST LOAD #	WEIGHT #	PALLET QTY	OLD PART NO.	NEW PART NO.
Box and HDPE Cover	18 5/8"	N/A	N/A / 5,000	7	52	PE-10HDH	PE10HDH00***
W/ Steel/PC Ring	19"	N/A	N/A / 5,000	9	26	PE-10HDH-4	PE10URH00***
Box and Steel Cover	18 1/4"	N/A	N/A / 10,000	15	20	PE-10-UH	PE10UPH00***
W/ Steel/PC Ring	19"	N/A	N/A / 10,000	17	26	PE-10-UH-4	PE10U4H00***

Covers and Concrete Ring

DESCRIPTION	TIER	DESIGN / TEST LOAD #	WEIGHT #	MATERIAL	OLD PART NO.	NEW PART NO.
HDPE	N/A	N/A / 5,000	2	HDPE	PE-10-PLH	PE10PLI12***
Steel	N/A	N/A / 10,000	10	Steel	PE-10-SLH	PE10SLH00***

Replace *** with a logo code found on page 198.

Box

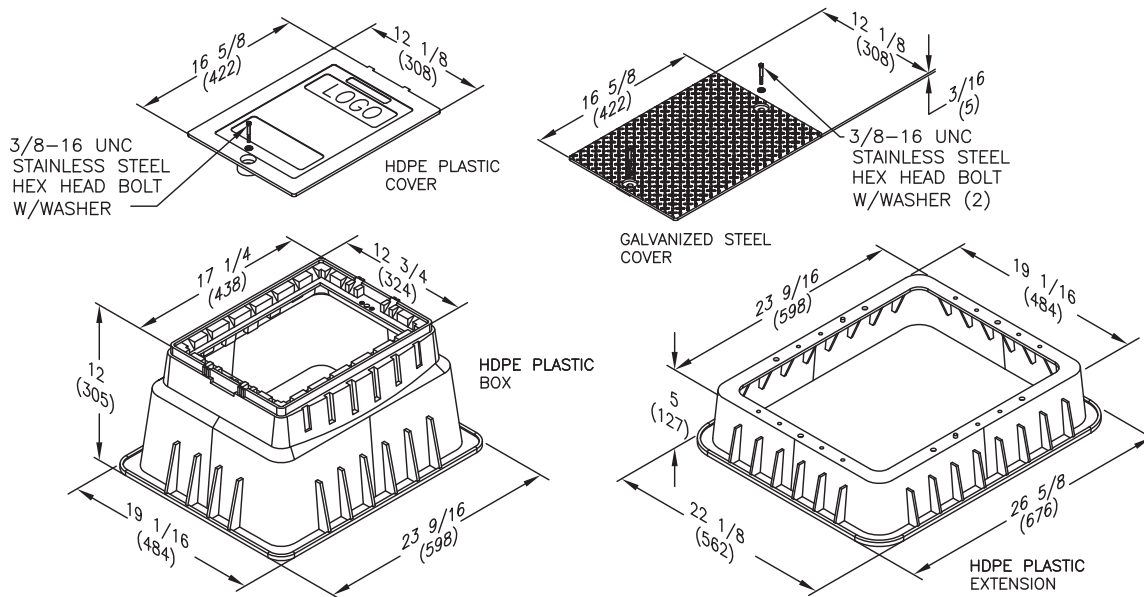
DESCRIPTION	DEPTH	TIER	DESIGN / TEST LOAD #	WEIGHT #	PALLET QTY	OLD PART NO.	NEW PART NO.
Green Open Bottom	18"	N/A	N/A / 5,000	5	52	PE-10-GS	PE10GSI01



14" PenCell PE

Dimensions / Data

Hex Head Bolts are Standard



Assemblies

DESCRIPTION	DEPTH	TIER	DESIGN / TEST LOAD #	WEIGHT #	PALLET QTY	OLD PART NO.	NEW PART NO.
Box and HDPE Cover	12"	N/A	N/A / 5,000	13	96	PE-14HDH	PE14HDH00***
W/ Penta Bolt/Crimp	12"	N/A	N/A / 5,000	13	96	PE-14HDXCL	PE14HDXCL***
Box and Steel Cover	12"	N/A	N/A / 10,000	21	48	PE-14-UH	PE14UPH00***
W/ Ground Lug	12"	N/A	N/A / 10,000	21	48	PE-14-UHG	PE14UPHGR***
Box and HDPE Cover	15"	N/A	N/A / 5,000	16	30	PE-14HDH-5	PE14H5H00***
W/ 5" Bottom Ext	15"	N/A	N/A / 5,000	24	30	PE-14-UH-5	PE14S5H00***

Covers

DESCRIPTION	TIER	DESIGN / TEST LOAD #	WEIGHT #	MATERIAL	OLD PART NO.	NEW PART NO.
HDPE	N/A	N/A / 5,000	3	HDPE	PE-14-PLH	PE14PLI12***
Steel	N/A	N/A / 10,000	12	Steel	PE-14-SLH	PE14SLH00***

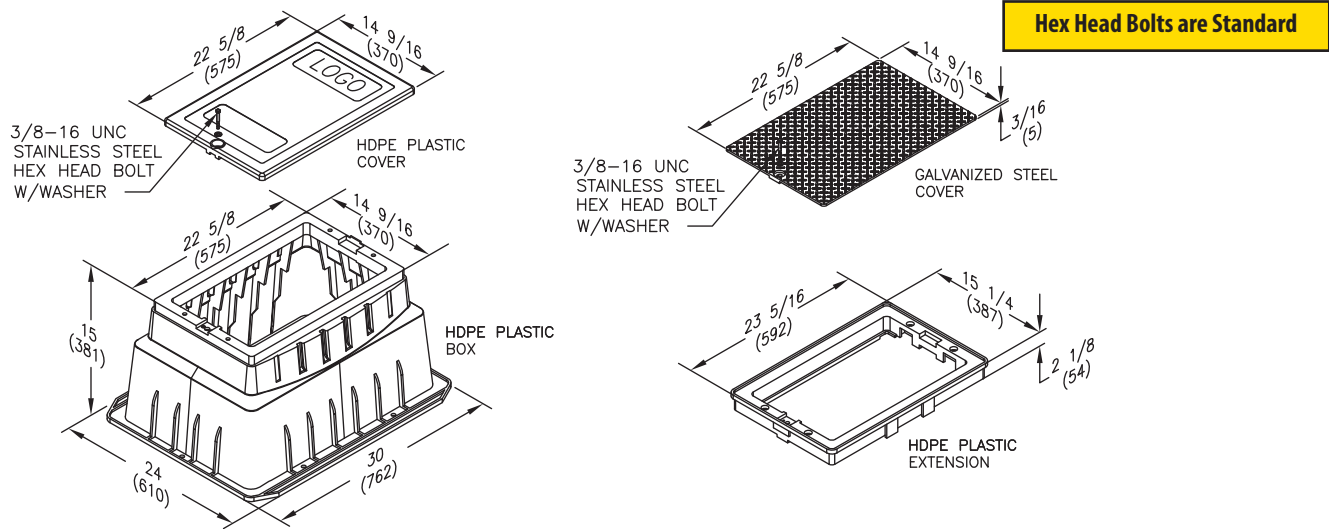
Replace *** with a logo code found on page 198.

Box

DESCRIPTION	DEPTH	TIER	DESIGN / TEST LOAD #	WEIGHT #	PALLET QTY	OLD PART NO.	NEW PART NO.
Green Open Bottom	12"	N/A	N/A / 5,000	10	96	PE-14-GS	PE14GSI01

Extension

DESCRIPTION	DEPTH	TIER	DESIGN / TEST LOAD #	WEIGHT #	PALLET QTY	OLD PART NO.	NEW PART NO.
5" Bottom	5"	N/A	N/A / 5,000	3	60	PE-14-5	PE1405EXN



Assemblies

DESCRIPTION	DEPTH	TIER	DESIGN / TEST LOAD #	WEIGHT #	PALLET QTY	OLD PART NO.	NEW PART NO.
Box and HDPE Cover	15"	N/A	N/A / 5,000	23	40	PE-20HDH	PE20HDH00***
W/ Penta Bolt/Crimp	15"	N/A	N/A / 5,000	23	40	PE-20HDXCL	PE20HDXCL***
Box and Steel Cover	15"	N/A	N/A / 10,000	34	32	PE-20-UH	PE20UPH00***
W/ Ground Lug	15"	N/A	N/A / 10,000	34	32	PE-20-UHG	PE20UPHGR***
Box and HDPE Cover	17"	N/A	N/A / 5,000	28	32	PE-20HDH-2	PE20H2H00***
W/ 2" Spacer Ext	17"	N/A	N/A / 10,000	39	24	PE-20-UH-2	PE20S2H00***

Covers

DESCRIPTION	TIER	DESIGN / TEST LOAD #	WEIGHT #	MATERIAL	OLD PART NO.	NEW PART NO.
HDPE	N/A	N/A / 5,000	6	HDPE	PE-20-PLH	PE20PLI23***
HDPE w/ Penta Bolt	N/A	N/A / 5,000	6	HDPE	PE-20-PLX	PE20PLI15***
HDPE w/ Penta Bolt/Crimp	N/A	N/A / 5,000	6	HDPE	PE-20-PLXCL	PE20PLI07***
Steel	N/A	N/A / 10,000	19	Steel	PE-20-SLH	PE20SLH00***

Replace *** with a logo code found on page 198.

Boxes

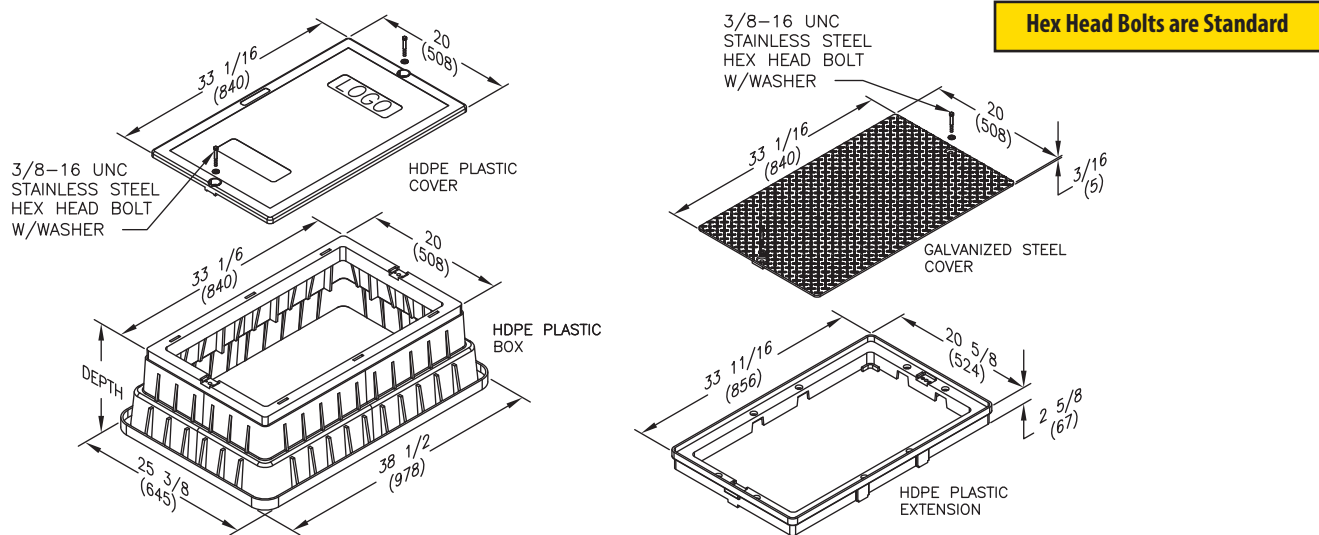
DESCRIPTION	DEPTH	TIER	DESIGN / TEST LOAD #	WEIGHT #	PALLET QTY	OLD PART NO.	NEW PART NO.
Green Open Bottom	15"	N/A	N/A / 5,000	15	40	PE-20-GS	PE20GSI01
Green w/ Crimp Lck	15"	N/A	N/A / 5,000	15	40	PE-20-GSXCL	PE20GSI03

Extension

DESCRIPTION	DEPTH	TIER	DESIGN / TEST LOAD #	WEIGHT #	PALLET QTY	OLD PART NO.	NEW PART NO.
2" Top Spacer	2"	N/A	N/A / 5,000	5	50	PE-20-2	PE20G2

30" PenCell PE

Dimensions / Data



Assemblies

DESCRIPTION	DEPTH	TIER	DESIGN / TEST LOAD #	WEIGHT #	PALLET QTY	OLD PART NO.	NEW PART NO.
Box and HDPE Cover	12"	N/A	N/A / 5,000	35	20	PE-30-12HDH	PE3012HDH00***
Box and Steel Cover	12"	N/A	N/A / 10,000	57	14	PE-30-12UH	PE3012UPH00***
Box and HDPE Cover W/ Penta Bolt/Crimp	17"	N/A	N/A / 5,000	38	18	PE-30-HDH	PE30HDH00***
Box and Steel Cover W/ Ground Lug	17"	N/A	N/A / 10,000	60	12	PE-30-UH	PE30UPH00***
Box and HDPE Cover w/ 2" Top Ext W/ 2" Top Ext and GL	19"	N/A	N/A / 5,000	43	16	PE-30HDH-2	PE30H2H00***
	19"	N/A	N/A / 10,000	65	12	PE-30-UH-2	PE30S2HGR***

Covers

DESCRIPTION	TIER	DESIGN / TEST LOAD #	WEIGHT #	MATERIAL	OLD PART NO.	NEW PART NO.
HDPE	N/A	N/A / 5,000	13	HDPE	PE-30-PLH	PE30PLI12***
HDPE w/ Penta Bolt	N/A	N/A / 5,000	6	HDPE	PE-30-PLX	PE30PLI13***
HDPE w/ Penta Bolt/Crimp	N/A	N/A / 5,000	13	HDPE	PE-30-PLXCL	PE30PLI07***
Steel	N/A	N/A / 10,000	35	Steel	PE-30-SLH	PE30SLH00***

Replace *** with a logo code found on page 198.

Boxes

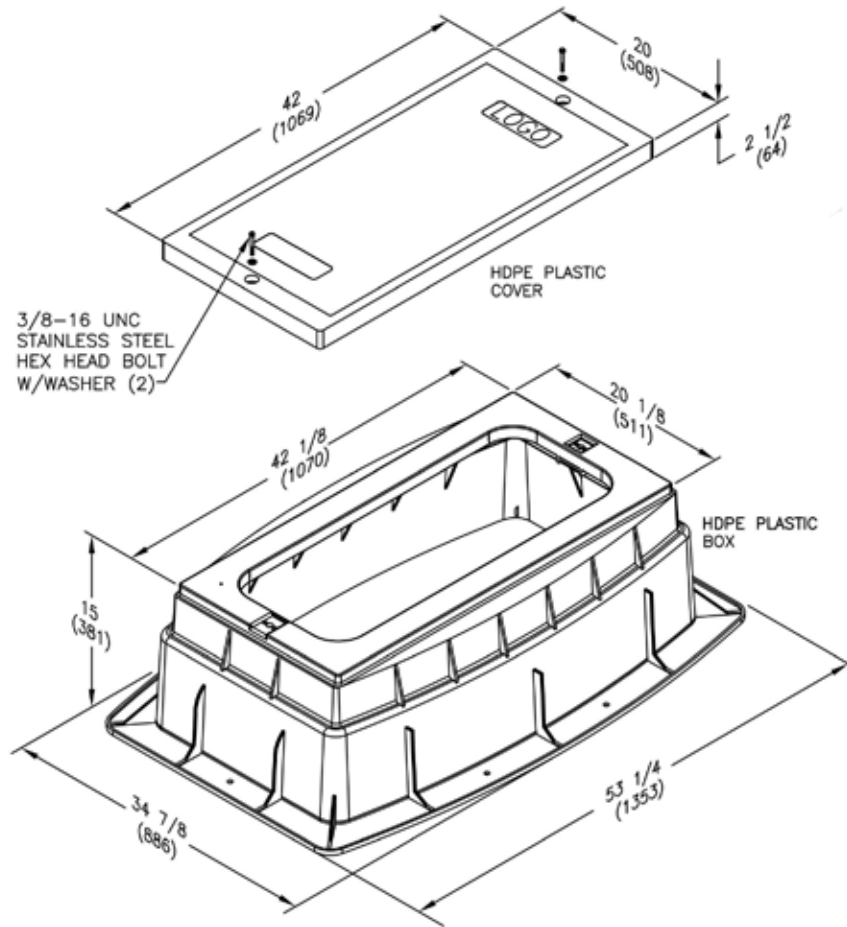
DESCRIPTION	DEPTH	TIER	DESIGN / TEST LOAD #	WEIGHT #	PALLET QTY	OLD PART NO.	NEW PART NO.
Open Bottom	12"	N/A	N/A / 5,000	22	20	PE-30-12GS	PE3012GSI01
Open Bottom	17"	N/A	N/A / 5,000	25	18	PE-30-GS	PE30GSI01

Extension

DESCRIPTION	DEPTH	TIER	DESIGN / TEST LOAD #	WEIGHT #	PALLET QTY	OLD PART NO.	NEW PART NO.
2" Top Spacer	2"	N/A	N/A / 5,000	N/A	N/A	PE-30-2	PE30G2



Hex Head Bolts are Standard



Assembly

DESCRIPTION	DEPTH	TIER	DESIGN / TEST LOAD #	WEIGHT #	PALLET QTY	OLD PART NO.	NEW PART NO.
Box and HDPE Cover	15"	N/A	N/A / 5,000	45	9	PE-36HDH	PE36HDH00***

Cover

DESCRIPTION	TIER	DESIGN / TEST LOAD #	WEIGHT #	MATERIAL	OLD PART NO.	NEW PART NO.
HDPE	N/A	N/A / 5,000	15	HDPE	PE-36-PLH	PE36PLI12***

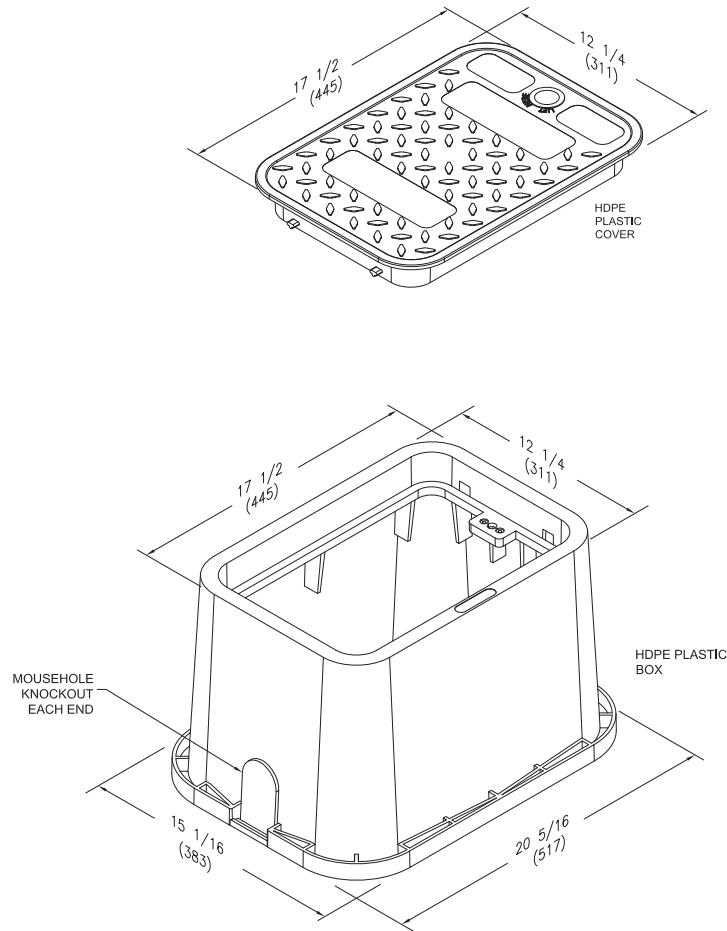
Replace *** with a logo code found on page 198.

Box

DESCRIPTION	DEPTH	TIER	DESIGN / TEST LOAD #	WEIGHT #	PALLET QTY	OLD PART NO.	NEW PART NO.
Open Bottom	15"	N/A	N/A / 5,000	30	9	PE-36-GS	PE36GSI01

10" X 15" PenCell PE

Dimensions / Data



Assembly

DESCRIPTION	DEPTH	TIER	DESIGN / TEST LOAD #	WEIGHT #	PALLET QTY	PART NO.
Box and HDPE Cover	12"	N/A	N/A / 5,000	10	120	PE1015H***

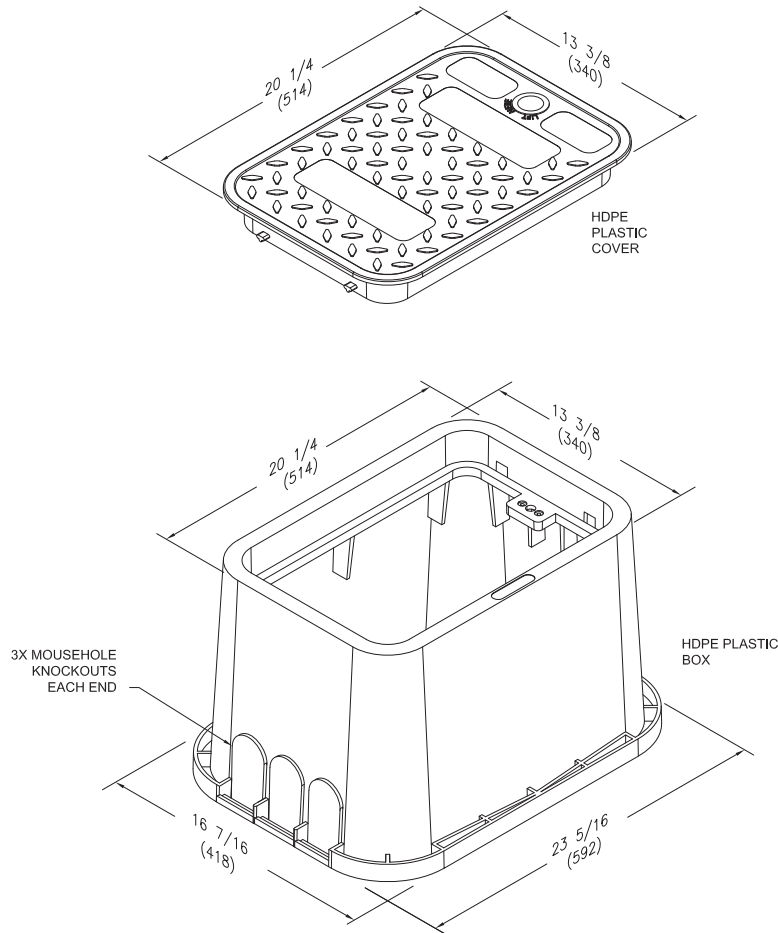
Covers

DESCRIPTION	TIER	DESIGN / TEST LOAD #	WEIGHT #	MATERIAL	PART NO.
Bolt Down	N/A	N/A / 5,000	3	HDPE	PE1015P***
Non Bolt Down	N/A	N/A / 5,000	3	HDPE	PE1015PLI***

Replace *** with logo code found on page 198.
For AMR/AMI options see page 201.

Box

DESCRIPTION	DEPTH	TIER	DESIGN / TEST LOAD #	WEIGHT #	PALLET QTY	PART NO.
Green Open Bottom	12"	N/A	N/A / 5,000	7	120	PE1015GS1***



Assembly

DESCRIPTION	DEPTH	TIER	DESIGN / TEST LOAD #	WEIGHT #	PALLET QTY	PART NO.
Box and HDPE Cover	12"	N/A	N/A / 3,000	12	120	PE1118H***

Covers

DESCRIPTION	TIER	DESIGN / TEST LOAD #	WEIGHT #	MATERIAL	PART NO.
Bolt Down	N/A	N/A / 3,000	4	HDPE	PE1118P***
Non Bolt Down	N/A	N/A / 3,000	4	HDPE	PE1118PLI***

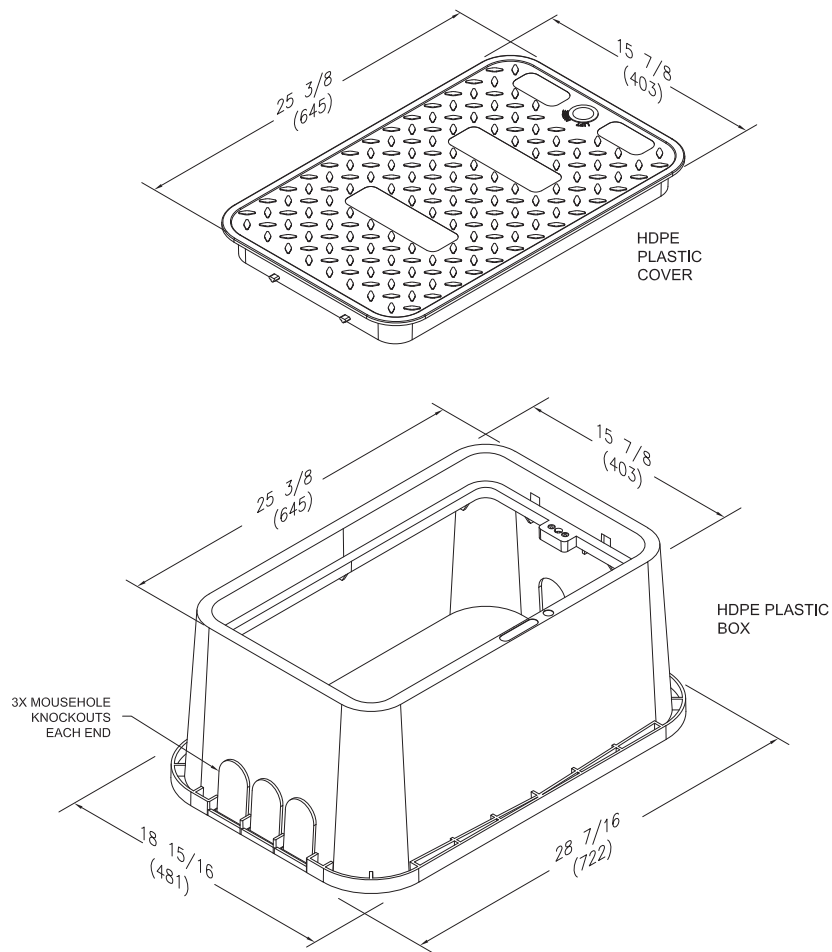
Replace *** with logo code found on page 198.
For AMR/AMI options see page 201.

Box

DESCRIPTION	DEPTH	TIER	DESIGN / TEST LOAD #	WEIGHT #	PALLET QTY	PART NO.
Green Open Bottom	12"	N/A	N/A / 3,000	8	120	PE1118GSI

13" X 24" PenCell PE

Dimensions / Data



Assembly

DESCRIPTION	DEPTH	TIER	DESIGN / TEST LOAD #	WEIGHT #	PALLET QTY	PART NO.
Box and HDPE Cover	12"	N/A	N/A / 3,000	16	100	PE1324H***

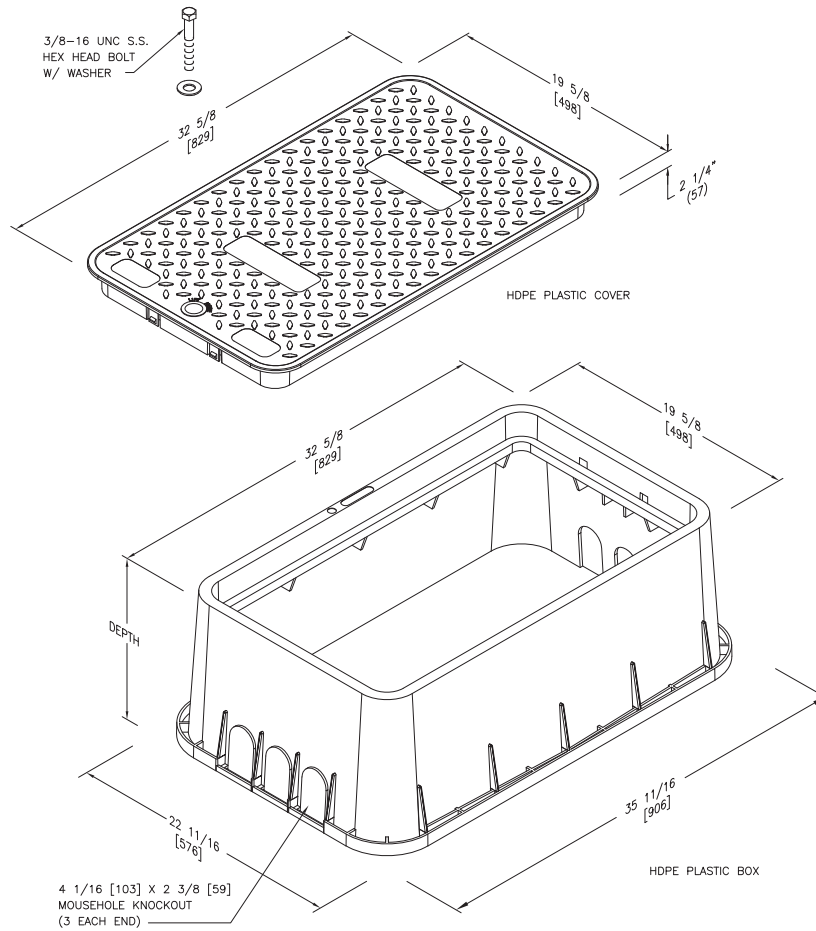
Covers

DESCRIPTION	TIER	DESIGN / TEST LOAD #	WEIGHT #	MATERIAL	PART NO.
Bolt Down	N/A	N/A / 3,000	6	HDPE	PE1324P***
Non Bolt Down	N/A	N/A / 3,000	6	HDPE	PE1324PLI***

Replace *** with logo code found on page 198.
For AMR/AMI options see page 201.

Box

DESCRIPTION	DEPTH	TIER	DESIGN / TEST LOAD #	WEIGHT #	PALLET QTY	PART NO.
Green Open Bottom	12"	N/A	N/A / 3,000	10	100	PE1324GS1***



Assembly

DESCRIPTION	DEPTH	TIER	DESIGN / TEST LOAD #	WEIGHT #	PALLET QTY	PART NO.
Box and HDPE Cover	12"	N/A	N/A / 3,000	28	54	PE1730H***

Cover

DESCRIPTION	TIER	DESIGN / TEST LOAD #	WEIGHT #	MATERIAL	PART NO.
Bolt Down	N/A	N/A / 3,000	12	HDPE	PE1730P***
Non Bolt Down	N/A	N/A / 3,000	12	HDPE	PE1730PLI***

Replace *** with logo code found on page 198.
For AMR/AMI options see page 201.

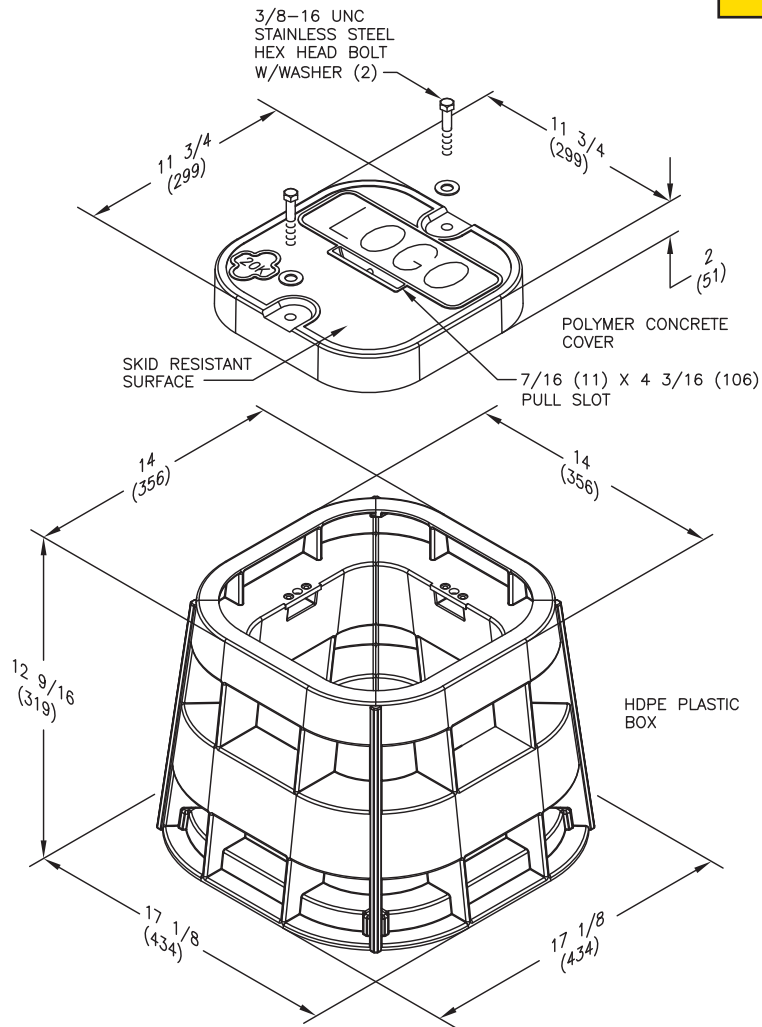
Box

DESCRIPTION	DEPTH	TIER	DESIGN / TEST LOAD #	WEIGHT #	PALLET QTY	PART NO.
Green Open Bottom	12"	N/A	N/A / 3,000	16	54	PE1730GSJ***

10" x 10" PenCell PM (PEM 10 Series)

Dimensions / Data

Hex Head Bolts are Standard



Assembly

DESCRIPTION	DEPTH	TIER	DESIGN / TEST LOAD #	WEIGHT #	PALLET QTY	OLD PART NO.	NEW PART NO.
Box and Polymer Concrete Cover	12"	N/A	N/A / 20,000	30	45	PEM-1010-PCH	PM101012PCH00***

Cover

DESCRIPTION	TIER	DESIGN / TEST LOAD #	WEIGHT #	MATERIAL	OLD PART NO.	NEW PART NO.
1 Piece w/ 2 Bolts	N/A	N/A / 20,000	19	Poly Concrete	PEM-1010-PCLH	PM101012PCLH00***

Box

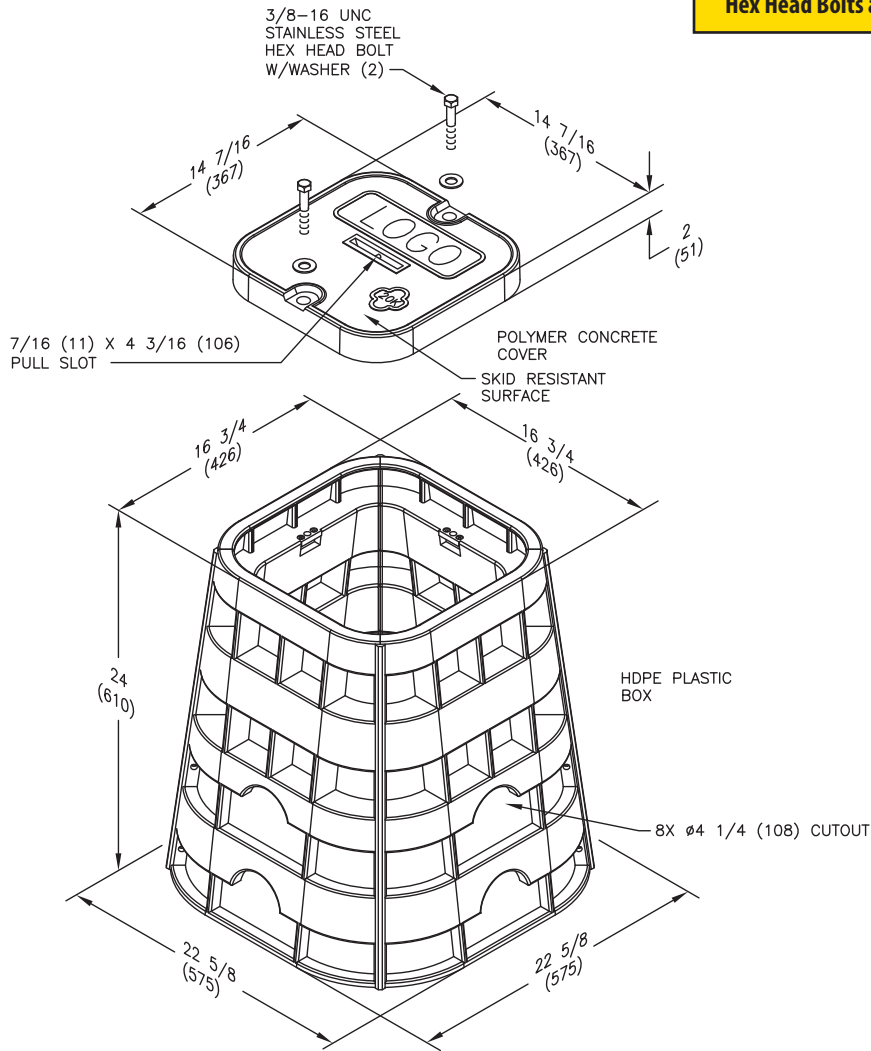
DESCRIPTION	DEPTH	TIER	DESIGN / TEST LOAD #	WEIGHT #	PALLET QTY	OLD PART NO.	NEW PART NO.
Open Bottom	12"	N/A	N/A / 20,000	11	45	PEM-1010-GS	PM101012GSY

Replace *** with a logo code found on page 198.

12" x 12" PenCell PM (PEM 12 Series)

Dimensions / Data

Hex Head Bolts are Standard



Assembly

DESCRIPTION	DEPTH	TIER	DESIGN / TEST LOAD #	WEIGHT #	PALLET QTY	OLD PART NO.	NEW PART NO.
Box and Polymer Concrete Cover	24"	N/A	N/A / 20,000	68	16	PEM-1212-PCH	PM121224PCH00***

Cover

DESCRIPTION	TIER	DESIGN / TEST LOAD #	WEIGHT #	MATERIAL	OLD PART NO.	NEW PART NO.
1 Piece w/ 2 Bolts	N/A	N/A / 20,000	28	Poly Concrete	PEM-1212-PCLH	PM1212CLH00***

Box

DESCRIPTION	DEPTH	TIER	DESIGN / TEST LOAD #	WEIGHT #	PALLET QTY	OLD PART NO.	NEW PART NO.
Open Bottom	24"	N/A	N/A / 20,000	40	16	PEM-1212-GS	PM121224GSY

Replace *** with a logo code found on page 198.

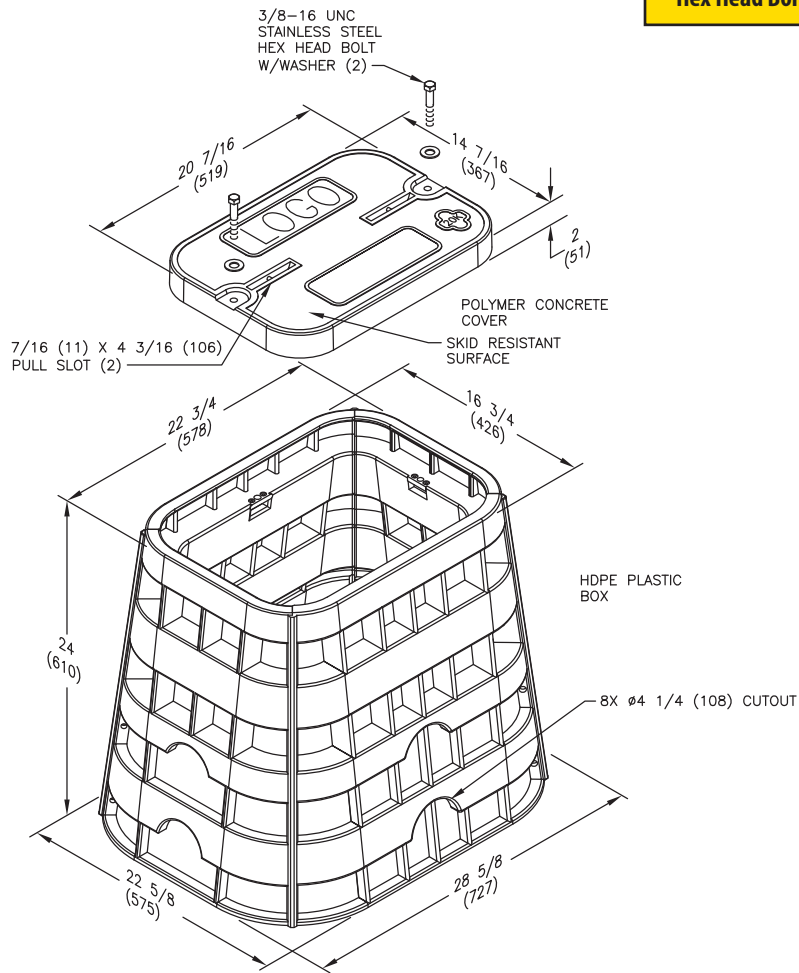
PENCELL



12" x 18" PenCell PM (PEM 12 Series)

Dimensions / Data

Hex Head Bolts are Standard



Assembly

DESCRIPTION	DEPTH	TIER	DESIGN / TEST LOAD #	WEIGHT #	PALLET QTY	OLD PART NO.	NEW PART NO.
Box and Polymer Concrete Cover	24"	N/A	N/A / 20,000	82	20	PEM-1218-PCH	PM121824PCH00***

Cover

DESCRIPTION	TIER	DESIGN / TEST LOAD #	WEIGHT #	MATERIAL	OLD PART NO.	NEW PART NO.
1 Piece w/ 2 Bolts	N/A	N/A / 20,000	45	Poly Concrete	PEM-1218-PCLH	PM1218CLH00***

Box

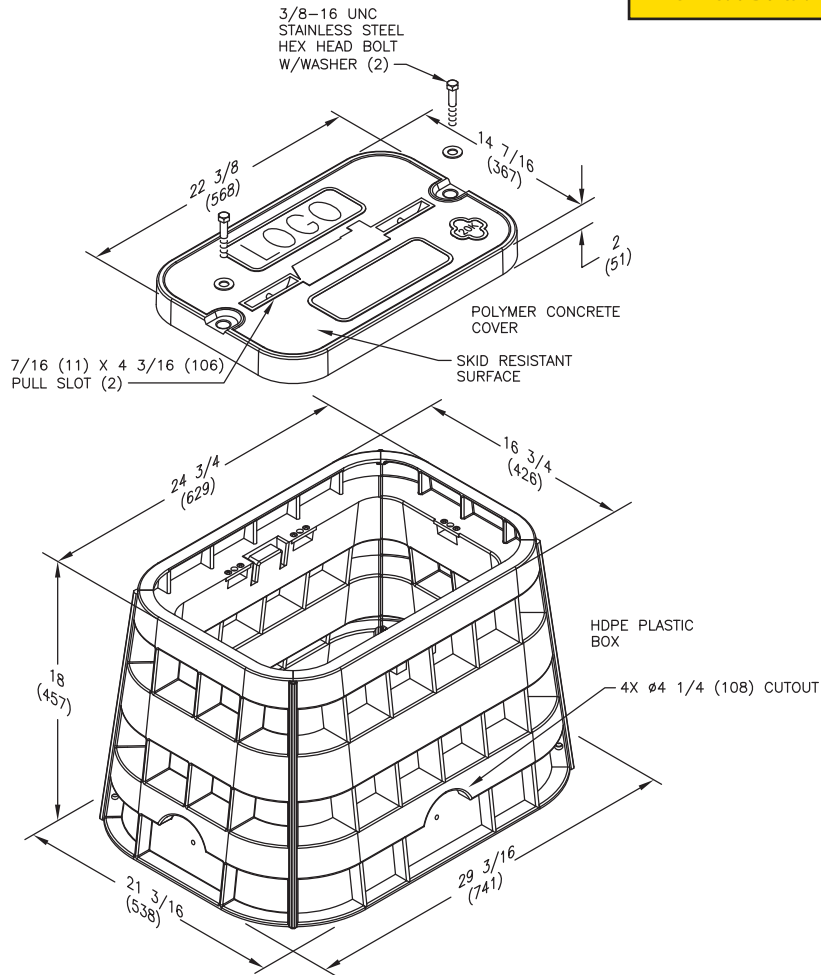
DESCRIPTION	DEPTH	TIER	DESIGN / TEST LOAD #	WEIGHT #	PALLET QTY	OLD PART NO.	NEW PART NO.
Open Bottom	24"	N/A	N/A / 20,000	37	20	PEM-1218-GS	PM121824GSY

Replace *** with a logo code found on page 198.

12" x 20" PenCell PM (PEM 12 Series)

Dimensions / Data

Hex Head Bolts are Standard



Assembly

DESCRIPTION	DEPTH	TIER	DESIGN / TEST LOAD #	WEIGHT #	PALLET QTY	OLD PART NO.	NEW PART NO.
Box and Polymer Concrete Cover	18"	N/A	N/A / 20,000	92	30	PEM-1220-PCH	PM122018PCH00***

Cover

DESCRIPTION	TIER	DESIGN / TEST LOAD #	WEIGHT #	MATERIAL	OLD PART NO.	NEW PART NO.
1 Piece w/ 2 Bolts	N/A	N/A / 20,000	47	Poly Concrete	PEM-1220-PCLH	PM1220CLH00***

Box

DESCRIPTION	DEPTH	TIER	DESIGN / TEST LOAD #	WEIGHT #	PALLET QTY	OLD PART NO.	NEW PART NO.
Open Bottom	18"	N/A	N/A / 20,000	45	30	PEM-1220-GS	PM122018GSY

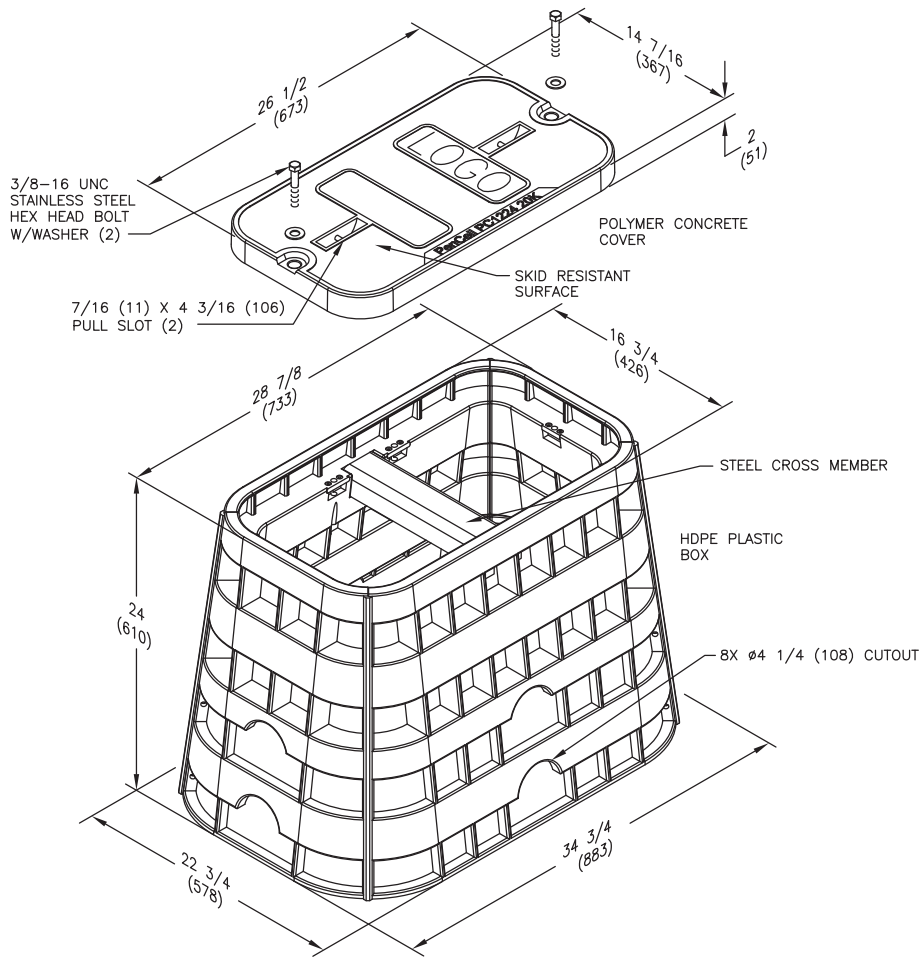
Replace *** with a logo code found on page 198.

PENCELL

12" x 24" PenCell PM (PEM 12 Series)

Dimensions / Data

Hex Head Bolts are Standard



Assembly

DESCRIPTION	DEPTH	TIER	DESIGN / TEST LOAD #	WEIGHT #	PALLET QTY	OLD PART NO.	NEW PART NO.
Box and Polymer Concrete Cover	24"	N/A	N/A / 20,000	105	20	PEM-1224-PCH	PM122424PCH00***

Cover

DESCRIPTION	TIER	DESIGN / TEST LOAD #	WEIGHT #	MATERIAL	OLD PART NO.	NEW PART NO.
1 Piece w/ 2 Bolts	N/A	N/A / 20,000	54	Poly Concrete	PEM-1224-PCLH	PM1224CLH00***

Box

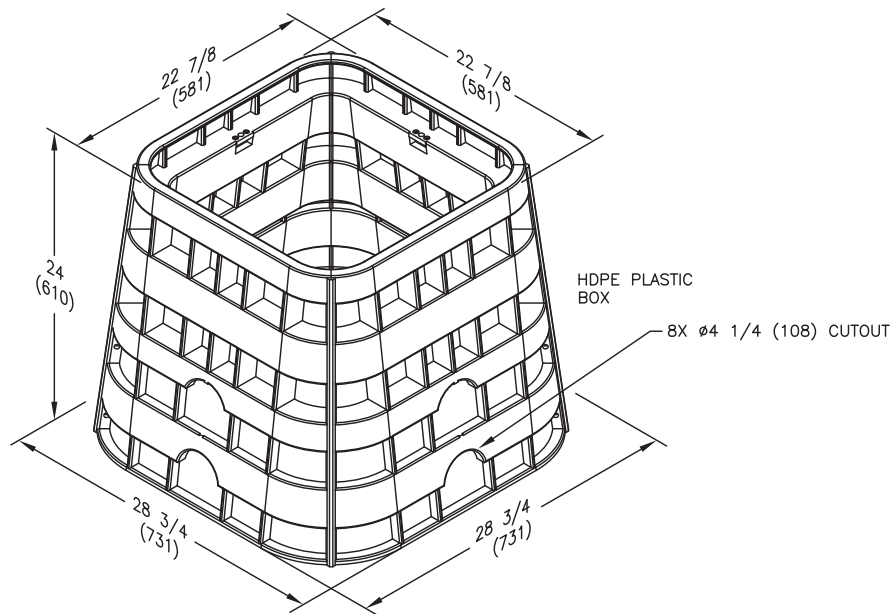
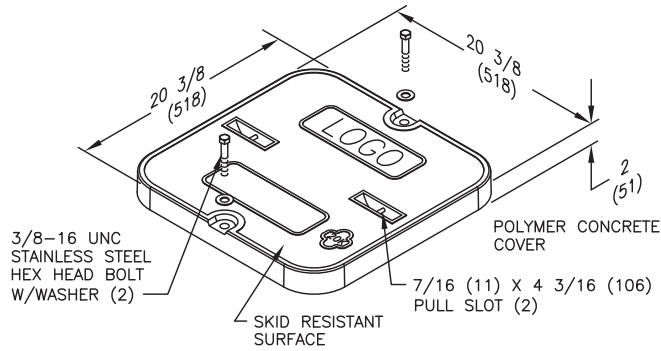
DESCRIPTION	DEPTH	TIER	DESIGN / TEST LOAD #	WEIGHT #	PALLET QTY	OLD PART NO.	NEW PART NO.
Open Bottom	24"	N/A	N/A / 20,000	51	20	PEM-1224-GS	PM122424GSY

Replace *** with a logo code found on page 198.

18" x 18" PenCell PM (PEM 18 Series)

Dimensions / Data

Hex Head Bolts are Standard



Assembly

DESCRIPTION	DEPTH	TIER	DESIGN / TEST LOAD #	WEIGHT #	PALLET QTY	OLD PART NO.	NEW PART NO.
Box and Polymer Concrete Cover	24"	N/A	N/A / 20,000	103	20	PEM-1818-PCH	PM181824PCH00***

Cover

DESCRIPTION	TIER	DESIGN / TEST LOAD #	WEIGHT #	MATERIAL	OLD PART NO.	NEW PART NO.
1 Piece w/ 2 Bolts	N/A	N/A / 20,000	54	Poly Concrete	PEM-1818-PCLH	PM1818CLH00***

Box

DESCRIPTION	DEPTH	TIER	DESIGN / TEST LOAD #	WEIGHT #	PALLET QTY	OLD PART NO.	NEW PART NO.
Gray Open Bottom	24"	N/A	N/A / 20,000	51	20	PEM-1818-GS	PM181824GSY

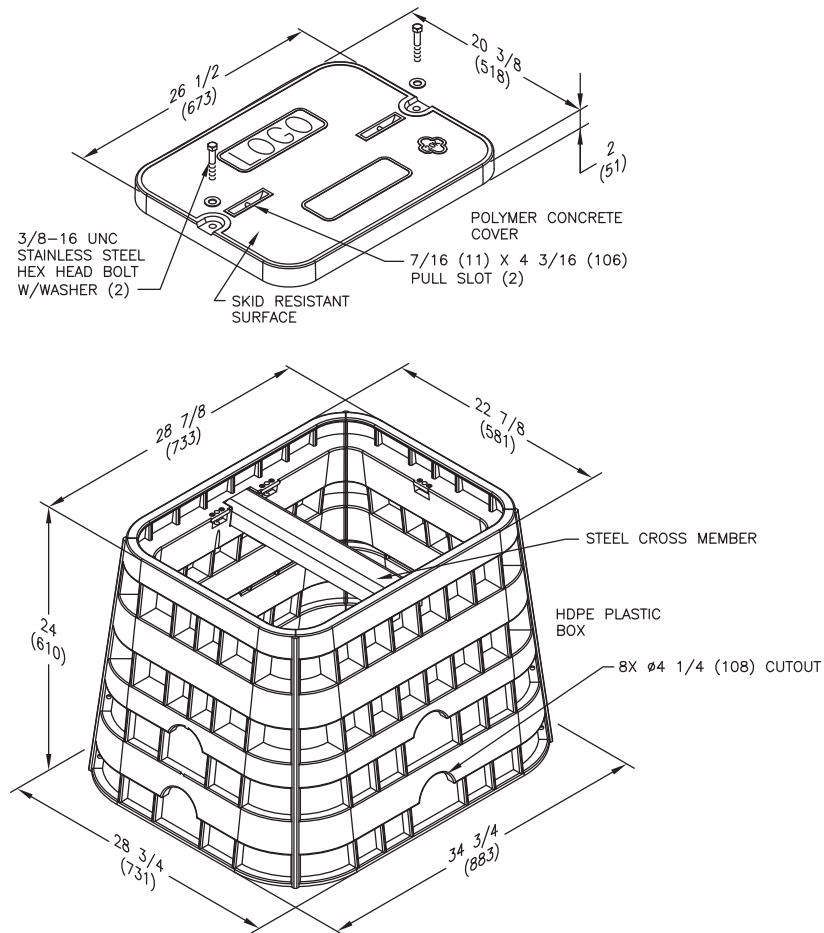
Replace *** with a logo code found on page 198.

PENCELL

18" x 24" PenCell PM (PEM 18 Series)

Dimensions / Data

Hex Head Bolts are Standard



Assembly

DESCRIPTION	DEPTH	TIER	DESIGN / TEST LOAD #	WEIGHT #	PALLET QTY	OLD PART NO.	NEW PART NO.
Box and Polymer Concrete Cover	24"	N/A	N/A / 20,000	128	20	PEM-1824-PCH	PM182424PCH00***

Cover

DESCRIPTION	TIER	DESIGN / TEST LOAD #	WEIGHT #	MATERIAL	OLD PART NO.	NEW PART NO.
1 Piece w/ 2 Bolts	N/A	N/A / 20,000	62	Poly Concrete	PEM-1824-PCLH	PM1824CLH00***

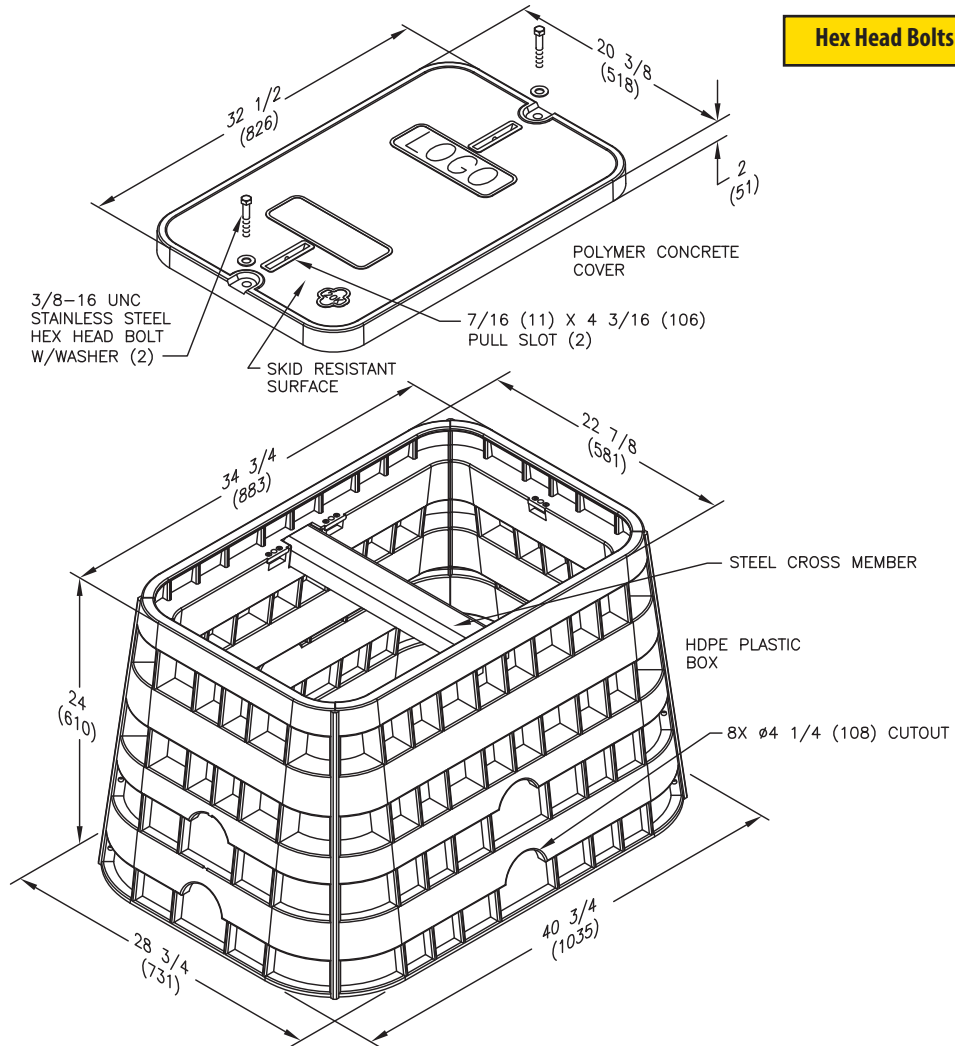
Box

DESCRIPTION	DEPTH	TIER	DESIGN / TEST LOAD #	WEIGHT #	PALLET QTY	OLD PART NO.	NEW PART NO.
Open Bottom	24"	N/A	N/A / 20,000	66	20	PEM-1824-GS	PM182424GSY

Replace *** with a logo code found on page 198.

18" x 30" PenCell PM (PEM 18 Series)

Dimensions / Data



Assembly

DESCRIPTION	DEPTH	TIER	DESIGN / TEST LOAD #	WEIGHT #	PALLET QTY	OLD PART NO.	NEW PART NO.
Box and Polymer Concrete Cover	24"	N/A	N/A / 20,000	170	20	PEM-1830-PCH	PM183024PCH00***

Cover

DESCRIPTION	TIER	DESIGN / TEST LOAD #	WEIGHT #	MATERIAL	OLD PART NO.	NEW PART NO.
1 Piece w/ 2 Bolts	N/A	N/A / 20,000	70	Poly Concrete	PEM-1830-PCLH	PM1830CLH00***

Box

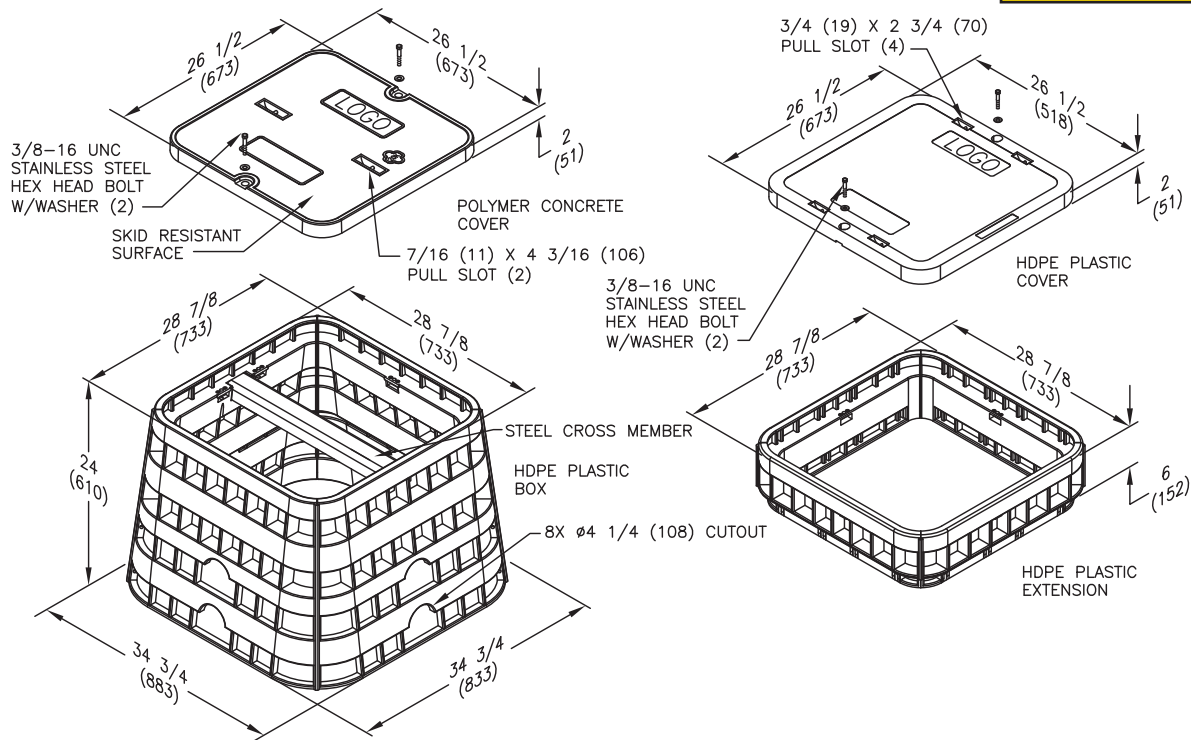
DESCRIPTION	DEPTH	TIER	DESIGN / TEST LOAD #	WEIGHT #	PALLET QTY	OLD PART NO.	NEW PART NO.
Open Bottom	24"	N/A	N/A / 20,000	100	20	PEM-1830-GS	PM183024GSY

Replace *** with a logo code found on page 198.

24" x 24" PenCell PM (PEM 24 Series)

Dimensions / Data

Hex Head Bolts are Standard



Assemblies

DESCRIPTION	DEPTH	TIER	DESIGN / TEST LOAD #	WEIGHT #	PALLET QTY	OLD PART NO.	NEW PART NO.
Box and Polymer Concrete Cover	24"	N/A	N/A / 20,000	150	6	PEM-2424-PCH	PM242424PCH00***
Box and HDPE Cover	24"	N/A	N/A / 5,000	75	10	PEM-2424H	PM242424HDH00***

Covers

DESCRIPTION	TIER	DESIGN / TEST LOAD #	WEIGHT #	MATERIAL	OLD PART NO.	NEW PART NO.
1 Piece w/ 2 Bolts	N/A	N/A / 20,000	100	Poly Concrete	PEM-2424-PCLH	PM242424CLH00***
1 Piece w/ 2 Bolts	N/A	N/A / 5,000	25	HDPE	PEM-2424PLH	PM242424PLH00***

Boxes

DESCRIPTION	DEPTH	TIER	DESIGN / TEST LOAD #	WEIGHT #	PALLET QTY	OLD PART NO.	NEW PART NO.
Gray Open Bottom	24"	N/A	N/A / 20,000	50	10	PEM-2424-GS	PM242424GSY
Green Open Bottom	24"	N/A	N/A / 20,000	50	10	PEM-2424-GS	PM242424GSN

Extensions

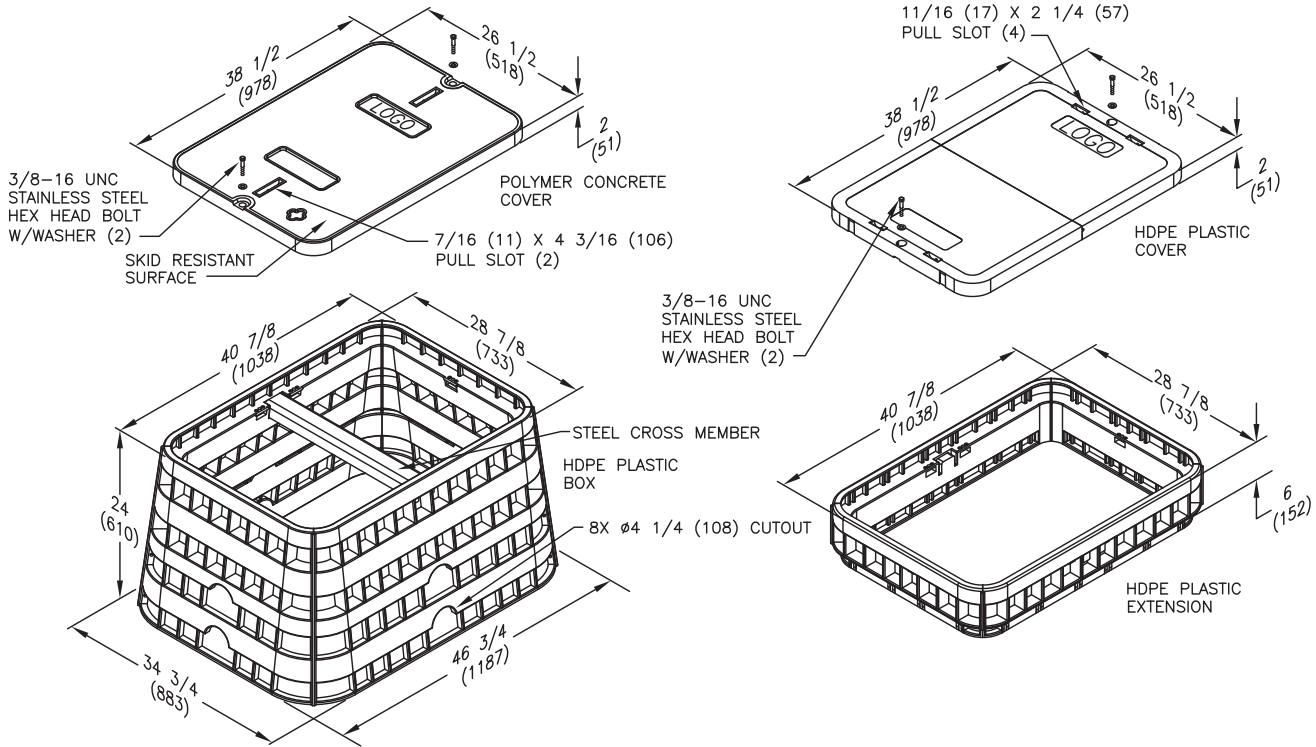
DESCRIPTION	DEPTH	TIER	DESIGN / TEST LOAD #	WEIGHT #	PALLET QTY	OLD PART NO.	NEW PART NO.
Gray	6"	N/A	N/A / 20,000	20	20	PEM-2424-6	PM242406EXY
Green	6"	N/A	N/A / 20,000	20	20	PEM-2424-6	PM242406EXN

Replace *** with a logo code found on page 198.

24" x 36" PenCell PM (PEM 24 Series)

Dimensions / Data

Hex Head Bolts are Standard



Assemblies

DESCRIPTION	DEPTH	TIER	DESIGN / TEST LOAD #	WEIGHT #	PALLET QTY	OLD PART NO.	NEW PART NO.
Box and Polymer Concrete Cover	24"	N/A	N/A / 20,000	224	4	PEM-2436-PCH	PM243624PCH00***
Box and HDPE Cover	24"	N/A	N/A / 5,000	99	6	PEM-2436H	PM243624HDH00***

Covers

DESCRIPTION	TIER	DESIGN / TEST LOAD #	WEIGHT #	MATERIAL	OLD PART NO.	NEW PART NO.
1 Piece w/ 2 Bolts	N/A	N/A / 20,000	151	Poly Concrete	PEM-2436-PCLH	PM2436CLH00***
1 Piece w/ 2 Bolts	N/A	N/A / 5,000	26	HDPE	PEM-2436PLH	PM2436PLH00***

Boxes

DESCRIPTION	DEPTH	TIER	DESIGN / TEST LOAD #	WEIGHT #	PALLET QTY	OLD PART NO.	NEW PART NO.
Gray Open Bottom	24"	N/A	N/A / 20,000	73	6	PEM-2436-GS	PM243624GSY
Green Open Bottom	24"	N/A	N/A / 20,000	73	6	PEM-2436-GS	PM243624GSN

Extensions

DESCRIPTION	DEPTH	TIER	DESIGN / TEST LOAD #	WEIGHT #	PALLET QTY	OLD PART NO.	NEW PART NO.
Gray	6"	N/A	N/A / 20,000	30	20	PEM-2436-6	PM243606EXY
Green	6"	N/A	N/A / 20,000	30	20	PEM-2436-6	PM243606EXN

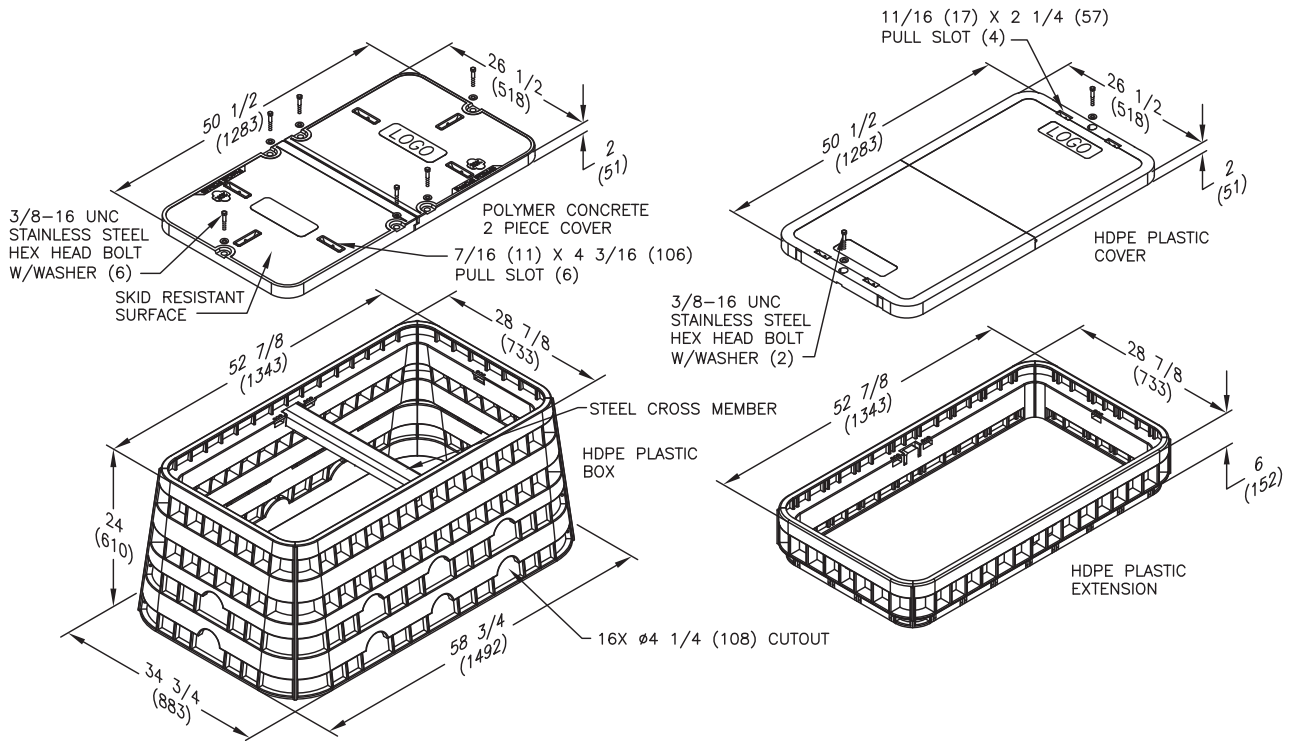
Replace *** with a logo code found on page 198.



24" x 48" PenCell PM (PEM 24 Series)

Dimensions / Data

Hex Head Bolts are Standard



Assemblies

DESCRIPTION	DEPTH	TIER	DESIGN / TEST LOAD #	WEIGHT #	PALLET QTY	OLD PART NO.	NEW PART NO.
Box and Polymer Concrete Cover	24"	N/A	N/A / 20,000	271	1	PEM-2448-PCH	PM244824PCH00***
Box and HDPE Cover	24"	N/A	N/A / 5,000	113	2	PEM-2448H	PM244824HDH00***

Covers

DESCRIPTION	TIER	DESIGN / TEST LOAD #	WEIGHT #	MATERIAL	OLD PART NO.	NEW PART NO.
2 Piece w/ 6 Bolts	N/A	N/A / 20,000	187	Poly Concrete	PEM-2448-PCLH	PM2448CSH00***
2 Piece w/ 2 Bolts	N/A	N/A / 5,000	30	HDPE	PEM-2448PLH	PM2448PLH00***

Boxes

DESCRIPTION	DEPTH	TIER	DESIGN / TEST LOAD #	WEIGHT #	PALLET QTY	OLD PART NO.	NEW PART NO.
Gray Open Bottom	24"	N/A	N/A / 20,000	84	3	PEM-2448-GS	PM244824GSY
Green Open Bottom	24"	N/A	N/A / 20,000	84	3	PEM-2448-GS	PM244824GSN

Extensions

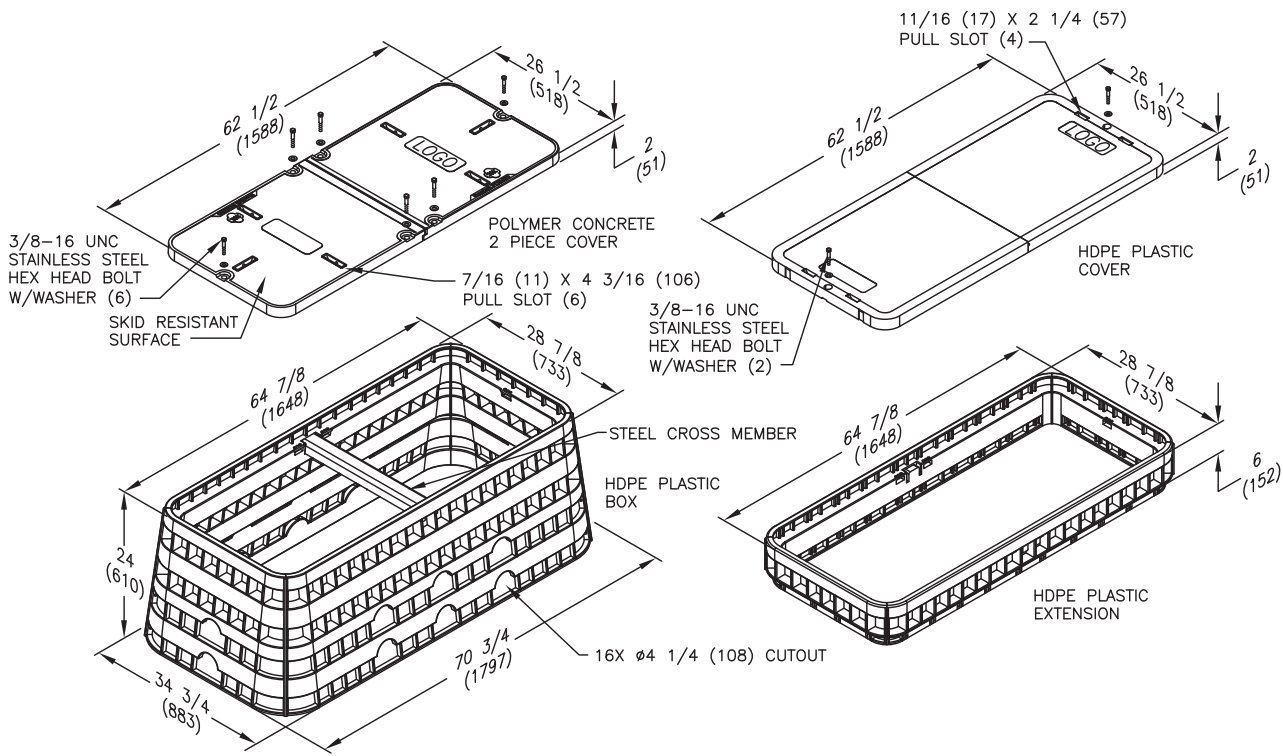
DESCRIPTION	DEPTH	TIER	DESIGN / TEST LOAD #	WEIGHT #	PALLET QTY	OLD PART NO.	NEW PART NO.
Gray	6"	N/A	N/A / 20,000	35	10	PEM-2448-6	PM244806EXY
Green	6"	N/A	N/A / 20,000	35	10	PEM-2448-6	PM244806EXN

Replace *** with a logo code found on page 198.

24" x 60" PenCell PM (PEM 24 Series)

Dimensions / Data

Hex Head Bolts are Standard



Assemblies

DESCRIPTION	DEPTH	TIER	DESIGN / TEST LOAD #	WEIGHT #	PALLET QTY	OLD PART NO.	NEW PART NO.
Box and Polymer Concrete Cover	24"	N/A	N/A / 20,000	328	1	PEM-2460-PCH	PM246024PCH00***
Box and HDPE Cover	24"	N/A	N/A / 5,000	132	3	PEM-2460H	PM246024HDH00***

Covers

DESCRIPTION	TIER	DESIGN / TEST LOAD #	WEIGHT #	MATERIAL	OLD PART NO.	NEW PART NO.
2 Piece w/ 6 Bolts	N/A	N/A / 20,000	232	Poly Concrete	PEM-2460-PCLH	PM2460CLH00***
2 Piece w/ 2 Bolts	N/A	N/A / 5,000	37	HDPE	PEM-2460PLH	PM2460PLH00***

Boxes

DESCRIPTION	DEPTH	TIER	DESIGN / TEST LOAD #	WEIGHT #	PALLET QTY	OLD PART NO.	NEW PART NO.
Gray Open Bottom	24"	N/A	N/A / 20,000	96	3	PEM-2460-GS	PM246024GSY
Green Open Bottom	24"	N/A	N/A / 20,000	96	3	PEM-2460-GS	PM246024GSN

Extensions

DESCRIPTION	DEPTH	TIER	DESIGN / TEST LOAD #	WEIGHT #	PALLET QTY	OLD PART NO.	NEW PART NO.
Gray	6"	N/A	N/A / 20,000	40	10	PEM-2460-6	PM246006EXY
Green	6"	N/A	N/A / 20,000	40	10	PEM-2460-6	PM246006EXN

Replace *** with a logo code found on page 198.

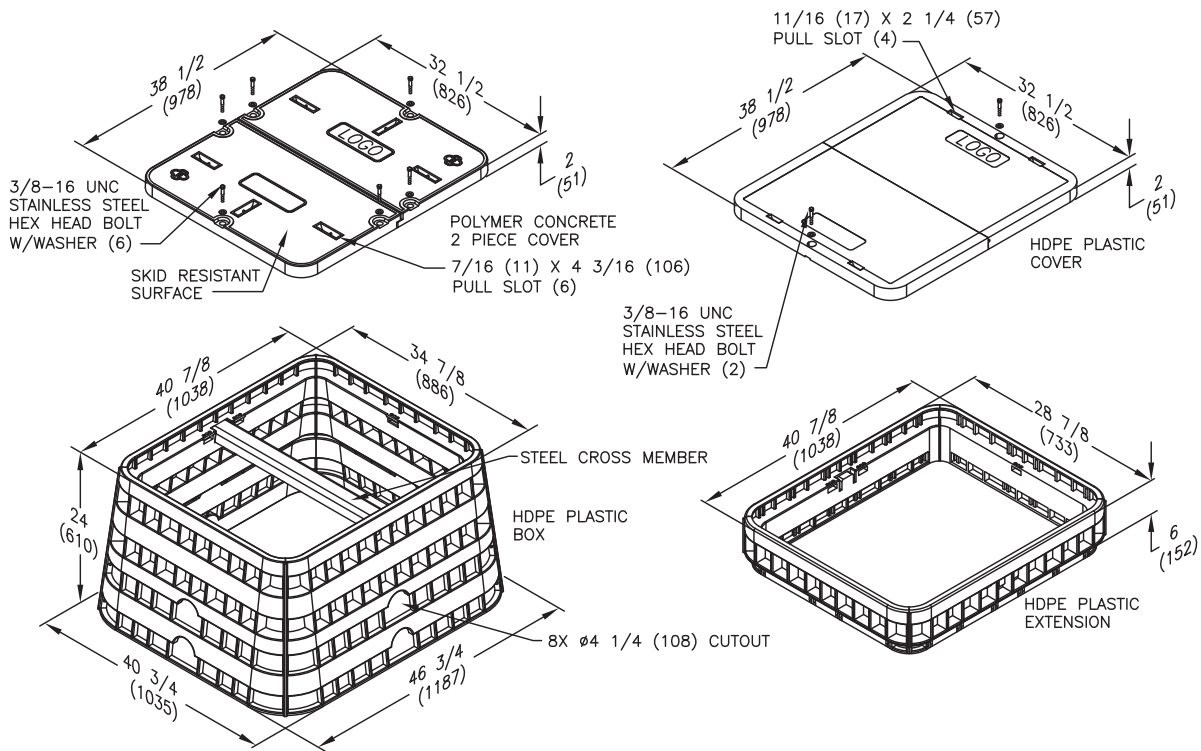
PENCELL



30" x 36" PenCell PM (PEM 30 Series)

Dimensions / Data

Hex Head Bolts are Standard



Assemblies

DESCRIPTION	DEPTH	TIER	DESIGN / TEST LOAD #	WEIGHT #	PALLET QTY	OLD PART NO.	NEW PART NO.
Box and Polymer Concrete Cover	24"	N/A	N/A / 20,000	275	2	PEM-3036-PCH	PM303624PCH00***
Box and HDPE Cover	24"	N/A	N/A / 5,000	118	3	PEM-3036H	PM303624HDH00***

Covers

DESCRIPTION	TIER	DESIGN / TEST LOAD #	WEIGHT #	MATERIAL	OLD PART NO.	NEW PART NO.
2 Piece w/ 6 Bolts	N/A	N/A / 20,000	186	Poly Concrete	PEM-3036-PCLH	PM3036CLH00***
2 Piece w/ 2 Bolts	N/A	N/A / 5,000	29	HDPE	PEM-3036PLH	PM3036PLH00***

Boxes

DESCRIPTION	DEPTH	TIER	DESIGN / TEST LOAD #	WEIGHT #	PALLET QTY	OLD PART NO.	NEW PART NO.
Gray Open Bottom	24"	N/A	N/A / 20,000	89	3	PEM-3036-GS	PM303624GSY
Green Open Bottom	24"	N/A	N/A / 20,000	89	3	PEM-3036-GS	PM303624GSN

Extensions

DESCRIPTION	DEPTH	TIER	DESIGN / TEST LOAD #	WEIGHT #	PALLET QTY	OLD PART NO.	NEW PART NO.
Gray	6"	N/A	N/A / 20,000	25	10	PEM-3036-6	PM303606EXY
Green	6"	N/A	N/A / 20,000	25	10	PEM-3036-6	PM303606EXN

Replace *** with a logo code found on page 198.

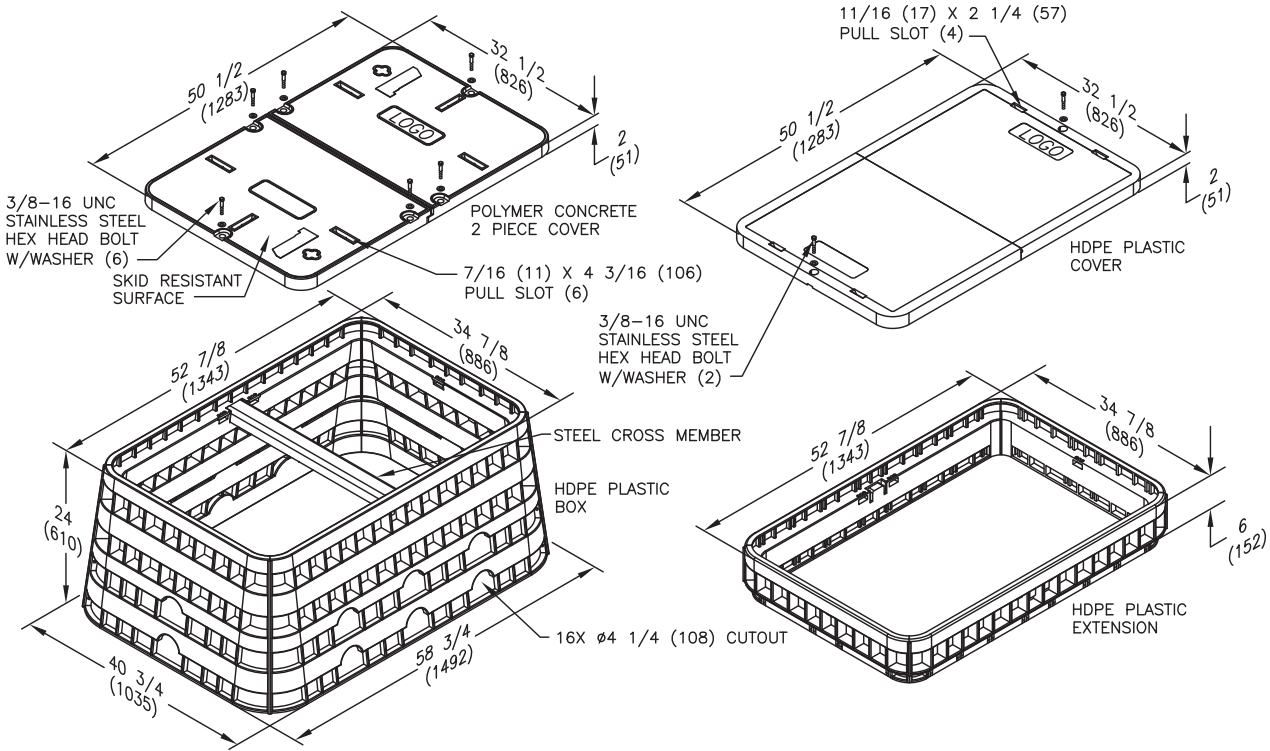


PENCELL

30" x 48" PenCell PM (PEM 30 Series)

Dimensions / Data

Hex Head Bolts are Standard



Assemblies

DESCRIPTION	DEPTH	TIER	DESIGN / TEST LOAD #	WEIGHT #	PALLET QTY	OLD PART NO.	NEW PART NO.
Box and Polymer Concrete Cover	24"	N/A	N/A / 20,000	339	3	PEM-3048-PCH	PM304824PCH00***
Box and HDPE Cover	24"	N/A	N/A / 5,000	132	3	PEM-3048H	PM304824HDH00***

Covers

DESCRIPTION	TIER	DESIGN / TEST LOAD #	WEIGHT #	MATERIAL	OLD PART NO.	NEW PART NO.
2 Piece w/ 6 Bolts	N/A	N/A / 20,000	246	Poly Concrete	PEM-3048-PCLH	PM3048CLH00***
2 Piece w/ 2 Bolts	N/A	N/A / 5,000	39	HDPE	PEM-3048PLH	PM3048PLH00***

Boxes

DESCRIPTION	DEPTH	TIER	DESIGN / TEST LOAD #	WEIGHT #	PALLET QTY	OLD PART NO.	NEW PART NO.
Gray Open Bottom	24"	N/A	N/A / 20,000	93	3	PEM-3048-GS	PM304824GSY
Green Open Bottom	24"	N/A	N/A / 20,000	93	3	PEM-3048-GS	PM304824GSN

Extensions

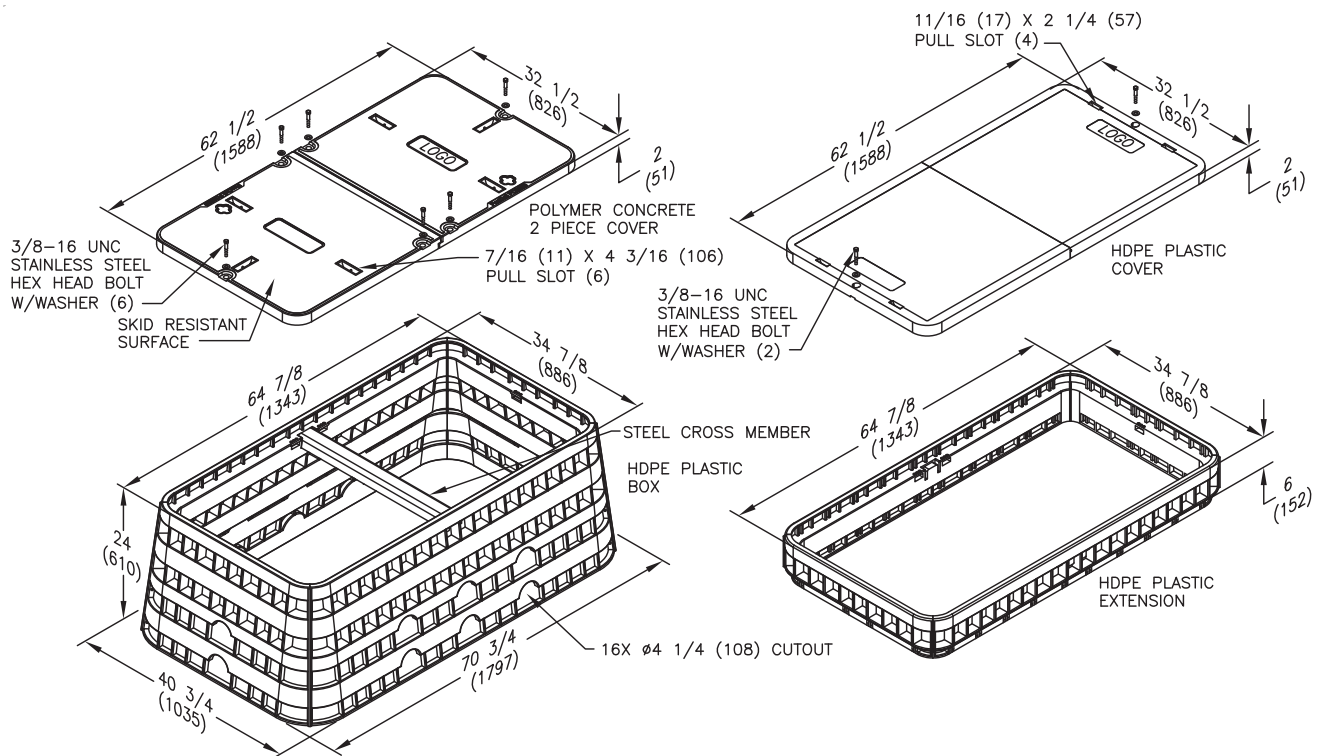
DESCRIPTION	DEPTH	TIER	DESIGN / TEST LOAD #	WEIGHT #	PALLET QTY	OLD PART NO.	NEW PART NO.
Gray	6"	N/A	N/A / 20,000	40	10	PEM-3048-6	PM304806EXY
Green	6"	N/A	N/A / 20,000	40	10	PEM-3048-6	PM304806EXN

Replace *** with a logo code found on page 198.

30" x 60" PenCell PM (PEM 30 Series)

Dimensions / Data

Hex Head Bolts are Standard



Assemblies

DESCRIPTION	DEPTH	TIER	DESIGN / TEST LOAD #	WEIGHT #	PALLET QTY	OLD PART NO.	NEW PART NO.
Box and Polymer Concrete Cover	24"	N/A	N/A / 20,000	405	1	PEM-3060-PCH	PM306024PCH00***
Box and HDPE Cover	24"	N/A	N/A / 5,000	156	3	PEM-3060H	PM306024HDH00***

Covers

DESCRIPTION	TIER	DESIGN / TEST LOAD #	WEIGHT #	MATERIAL	OLD PART NO.	NEW PART NO.
2 Piece w/ 6 Bolts	N/A	N/A / 20,000	297	Poly Concrete	PEM-3060-PCLH	PM3060CLH00***
2 Piece w/ 2 Bolts	N/A	N/A / 5,000	48	HDPE	PEM-3060PLH	PM3060PLH00***

Boxes

DESCRIPTION	DEPTH	TIER	DESIGN / TEST LOAD #	WEIGHT #	PALLET QTY	OLD PART NO.	NEW PART NO.
Gray Open Bottom	24"	N/A	N/A / 20,000	108	3	PEM-3060-GS	PM306024GSY
Green Open Bottom	24"	N/A	N/A / 20,000	108	3	PEM-3060-GS	PM306024GSN

Extensions

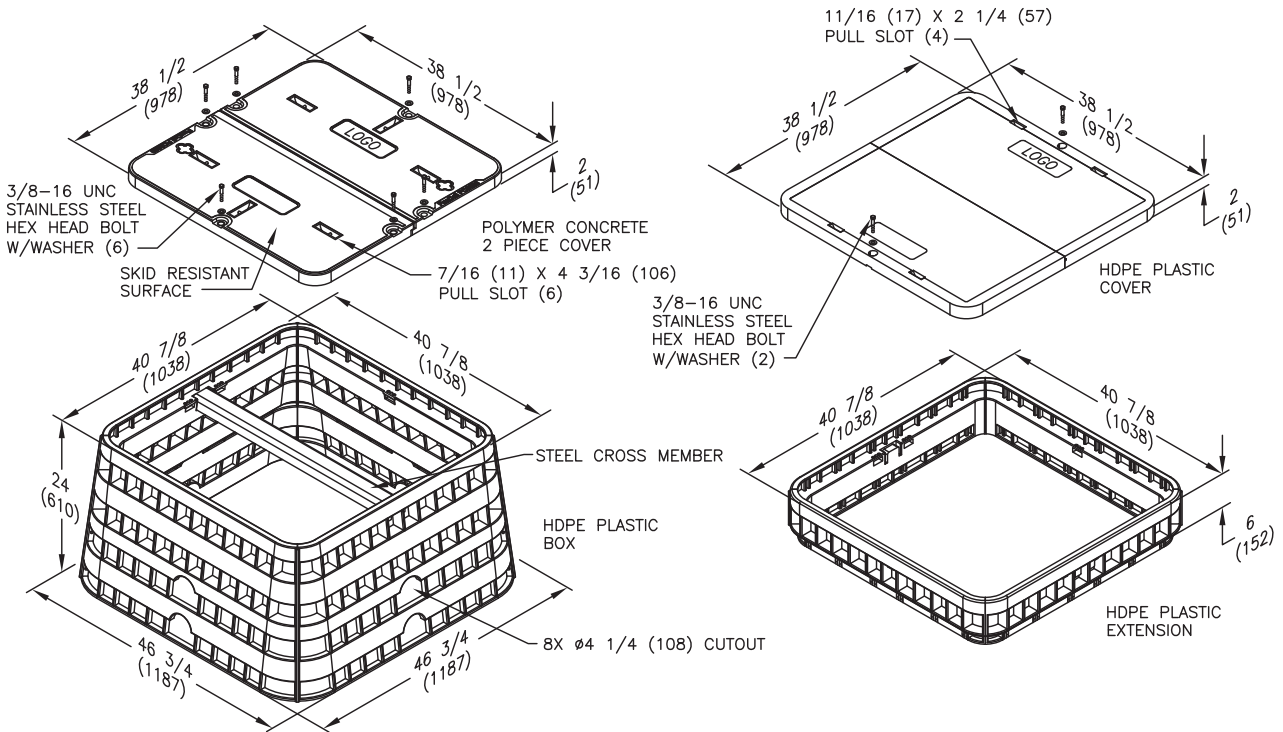
DESCRIPTION	DEPTH	TIER	DESIGN / TEST LOAD #	WEIGHT #	PALLET QTY	OLD PART NO.	NEW PART NO.
Gray	6"	N/A	N/A / 20,000	45	10	PEM-3060-6	PM306006EXY
Green	6"	N/A	N/A / 20,000	45	10	PEM-3060-6	PM306006EXN

Replace *** with a logo code found on page 198.

36" x 36" PenCell PM (PEM 36 Series)

Dimensions / Data

Hex Head Bolts are Standard



Assemblies

DESCRIPTION	DEPTH	TIER	DESIGN / TEST LOAD #	WEIGHT #	PALLET QTY	OLD PART NO.	NEW PART NO.
Box and Polymer Concrete Cover	24"	N/A	N/A / 20,000	354	2	PEM-3636-PCH	PM363624PCH00***
Box and HDPE Cover	24"	N/A	N/A / 5,000	135	3	PEM-3636H	PM363624HDH00***

Covers

DESCRIPTION	TIER	DESIGN / TEST LOAD #	WEIGHT #	MATERIAL	OLD PART NO.	NEW PART NO.
2 Piece w/ 6 Bolts	N/A	N/A / 20,000	250	Poly Concrete	PEM-3636-PCLH	PM3636CLH00***
2 Piece w/ 2 Bolts	N/A	N/A / 5,000	31	HDPE	PEM-3636PLH	PM3636PLH00***

Boxes

DESCRIPTION	DEPTH	TIER	DESIGN / TEST LOAD #	WEIGHT #	PALLET QTY	OLD PART NO.	NEW PART NO.
Gray Open Bottom	24"	N/A	N/A / 20,000	104	3	PEM-3636-GS	PM363624GSY
Green Open Bottom	24"	N/A	N/A / 20,000	104	3	PEM-3636-GS	PM363624GSN

Extensions

DESCRIPTION	DEPTH	TIER	DESIGN / TEST LOAD #	WEIGHT #	PALLET QTY	OLD PART NO.	NEW PART NO.
Gray	6"	N/A	N/A / 20,000	31	10	PEM-3636-6	PM363606EXY
Green	6"	N/A	N/A / 20,000	31	10	PEM-3636-6	PM363606EXN

Replace *** with a logo code found on page 198.

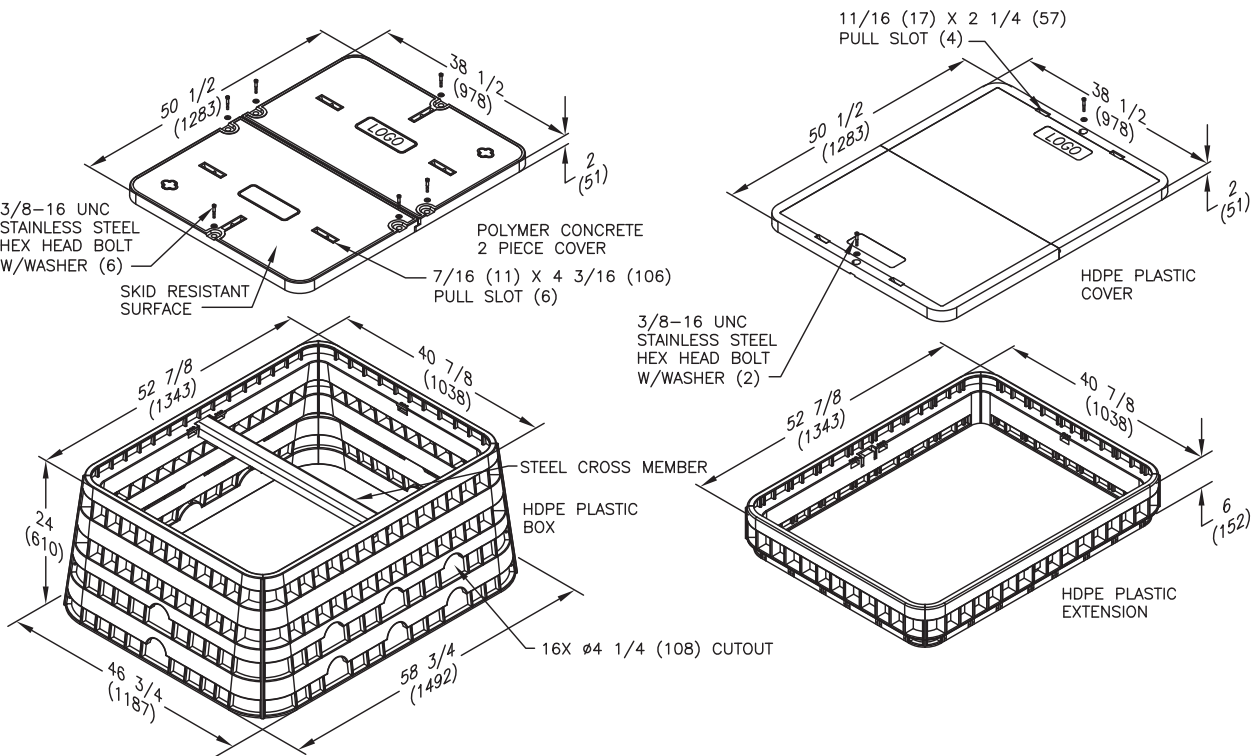
PENCELL



36" x 48" PenCell PM (PEM 36 Series)

Dimensions / Data

Hex Head Bolts are Standard



Assemblies

DESCRIPTION	DEPTH	TIER	DESIGN / TEST LOAD #	WEIGHT #	PALLET QTY	OLD PART NO.	NEW PART NO.
Box and Polymer Concrete Cover	24"	N/A	N/A / 20,000	389	1	PEM-3648-PCH	PM364824PCH00***
Box and HDPE Cover	24"	N/A	N/A / 5,000	160	3	PEM-3648H	PM364824HDH00***

Covers

DESCRIPTION	TIER	DESIGN / TEST LOAD #	WEIGHT #	MATERIAL	OLD PART NO.	NEW PART NO.
2 Piece w/ 6 Bolts	N/A	N/A / 20,000	285	Poly Concrete	PEM-3648-PCLH	PM3648CLH00***
2 Piece w/ 2 Bolts	N/A	N/A / 5,000	56	HDPE	PEM-3648PLH	PM3648PLH00***

Boxes

DESCRIPTION	DEPTH	TIER	DESIGN / TEST LOAD #	WEIGHT #	PALLET QTY	OLD PART NO.	NEW PART NO.
Gray Open Bottom	24"	N/A	N/A / 20,000	104	3	PEM-3648-GS	PM364824GSY
Green Open Bottom	24"	N/A	N/A / 20,000	104	3	PEM-3648-GS	PM364824GSN

Extensions

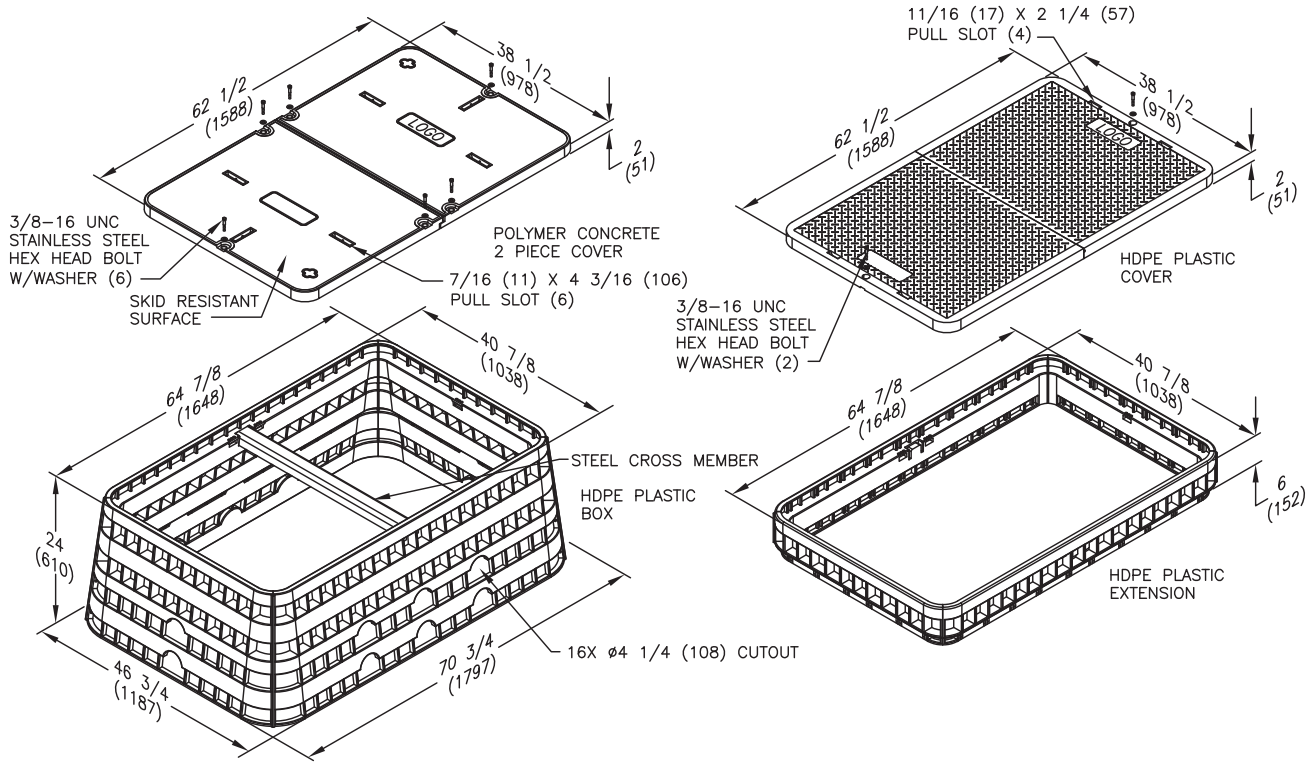
DESCRIPTION	DEPTH	TIER	DESIGN / TEST LOAD #	WEIGHT #	PALLET QTY	OLD PART NO.	NEW PART NO.
Gray	6"	N/A	N/A / 20,000	32	10	PEM-3648-6	PM364806EXY
Green	6"	N/A	N/A / 20,000	32	10	PEM-3648-6	PM364806EXN

Replace *** with a logo code found on page 198.

36" x 60" PenCell PM (PEM 36 Series)

Dimensions / Data

Hex Head Bolts are Standard



Assemblies

DESCRIPTION	DEPTH	TIER	DESIGN / TEST LOAD #	WEIGHT #	PALLET QTY	OLD PART NO.	NEW PART NO.
Box and Polymer Concrete Cover	24"	N/A	N/A / 20,000	465	1	PEM-3660-PCH	PM366024PCH00***
Box and HDPE Cover	24"	N/A	N/A / 5,000	160	3	PEM-3660H	PM366024HDH00***

Covers

DESCRIPTION	TIER	DESIGN / TEST LOAD #	WEIGHT #	MATERIAL	OLD PART NO.	NEW PART NO.
2 Piece w/ 6 Bolts	N/A	N/A / 20,000	350	Poly Concrete	PEM-3660-PCLH	PM3660CLH00***
2 Piece w/ 2 Bolts	N/A	N/A / 5,000	71	HDPE	PEM-3660PLH	PM3660PLH00***

Boxes

DESCRIPTION	DEPTH	TIER	DESIGN / TEST LOAD #	WEIGHT #	PALLET QTY	OLD PART NO.	NEW PART NO.
Gray Open Bottom	24"	N/A	N/A / 20,000	114	3	PEM-3660-GS	PM366024GSY
Green Open Bottom	24"	N/A	N/A / 20,000	114	3	PEM-3660-GS	PM366024GSN

Extensions

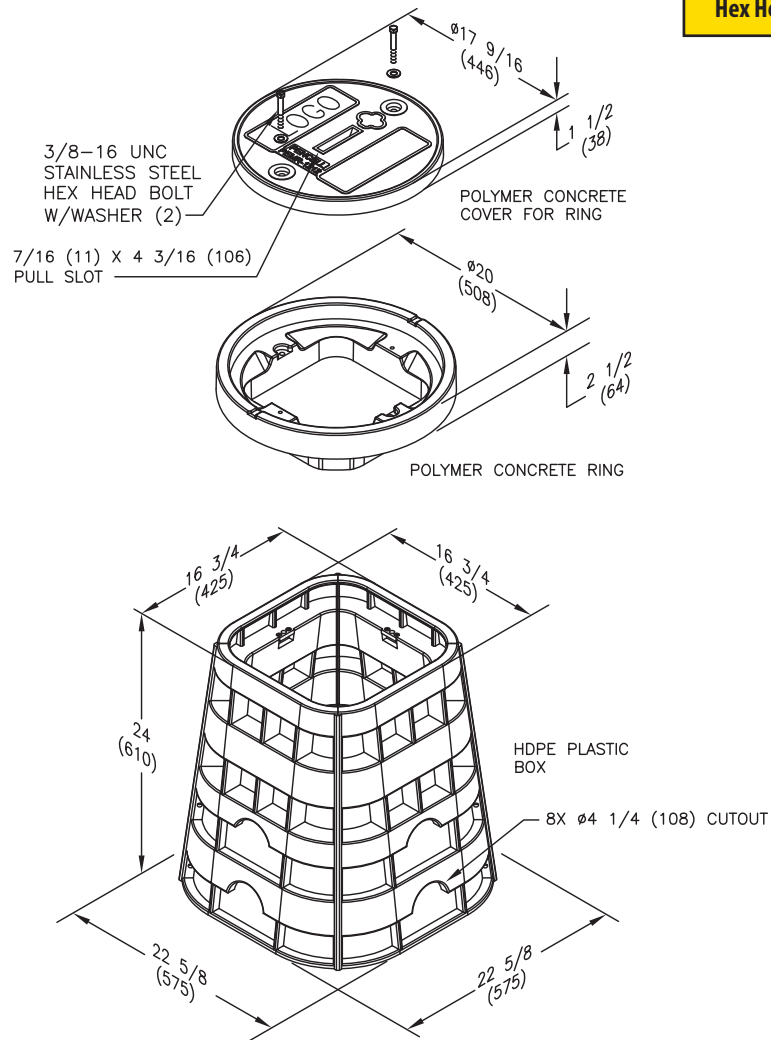
DESCRIPTION	DEPTH	TIER	DESIGN / TEST LOAD #	WEIGHT #	PALLET QTY	OLD PART NO.	NEW PART NO.
Gray	6"	N/A	N/A / 20,000	41	10	PEM-3660-6	PM366006EXY
Green	6"	N/A	N/A / 20,000	41	10	PEM-3660-6	PM366006EXN

Replace *** with a logo code found on page 198.

12" x 12" PenCell PR (PEMR 12)

Dimensions / Data

Hex Head Bolts are Standard



Assembly

DESCRIPTION	DEPTH	TIER	DESIGN / TEST LOAD #	WEIGHT #	PALLET QTY	OLD PART NO.	NEW PART NO.
Box w/ Poly Conc Cover and Ring	24"	N/A	N/A / 20,000	90	4	PEMR-1212PCH	PR121224PCH00***

Cover and Ring

DESCRIPTION	TIER	DESIGN / TEST LOAD #	WEIGHT #	MATERIAL	OLD PART NO.	NEW PART NO.
PC Cover and Ring	N/A	N/A / 20,000	53	Poly Concrete	PEM-1212PCLH	PR1212LRH00***

Replace *** with a logo code found on page 198.

Box

DESCRIPTION	DEPTH	TIER	DESIGN / TEST LOAD #	WEIGHT #	PALLET QTY	OLD PART NO.	NEW PART NO.
Green Open Bottom	24"	N/A	N/A / 20,000	37	4	PEMR-1212GSN	PM121224GSN



Most commonly used cover logos are shown below. Custom logos are available. Contact your Quazite/Hubbell Representative.

PenCell Cover Options

LOGOS

PenCell LOGO CODES	DESCRIPTION
009	BLANK
010	CATV
012	COMMUNICATIONS
014	CONTROLS
01W	FIBER OPTIC CABLE
022	FIRE ALARM
023	GAS
024	GROUND
026	HIGH VOLTAGE
029	LIGHTING
036	SECURITY
038	SIGNAL
040	STATE TRAFFIC SIGNAL
041	STREET LIGHTING
042	TELECOM
043	TELEPHONE
044	TRAFFIC
045	TRAFFIC CONTROL
046	TRAFFIC SIGNAL
048	TV
050	WATER
057	EMERGENCY
065	ILLUMINATION
081	DANGER HIGH VOLTAGE
084	POWER
092	TELECOMMUNICATIONS
03A	DOT
06B	INSTRUMENTATION
0ZA	IRRIGATION
K91	RECLAIMED WATER
KH1	FIBEROPTIC
5P3	ELECTRIC WARNING DO NOT OPEN

PENCELL

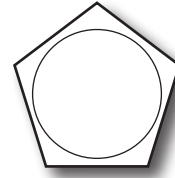


Optional Accessories:

PenCell underground enclosures come standard with a hex-head bolt to secure the lid onto the box. For additional security, Penta Head bolts are also available. The table below shows additional options available by box style.



Hex Head



Penta Head

	Locks	Brackets						
	<i>Crimp Locks</i>	<i>Swing Arms</i>	<i>J Hooks</i>	<i>Custom</i>	<i>End Bells</i>	<i>Ground Lugs</i>	<i>Pulling Eyes</i>	<i>Temp. Service Outlet</i>
<i>DT Series</i>	N/A	1324, 1730, 2436, 3048	All	All	1730, 2436, 3048	N/A	3048	N/A
<i>PE Series</i>	14, 20, 30	N/A	N/A	All	N/A	14, 20, 30 w/ steel lids	N/A	14, 20, 30
<i>PM Series</i>	N/A	1830 up to 3660	All	All	1830 and up less 24" deep	N/A	3660	N/A

Optional Accessories:

These and other accessories are available for your PenCell Enclosure. Contact your representative or customer service for more information.



Pulling Eyes



Swingarm Brackets



Terminators and Plastic Bolt Caps



3M Electronic Markers



Aluminum J Hooks



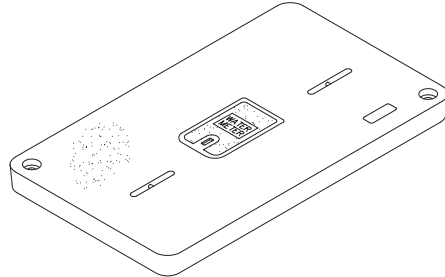
Small Lifting Hook

PenCell Enclosure Options

Hinged Meter Lids*

Available Sizes

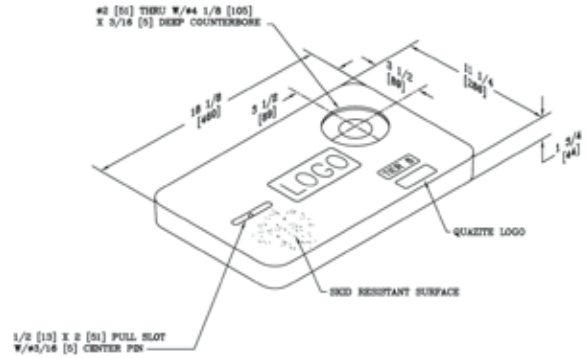
- 4" x 6" lid
- 6" x 9" lid
- 9" x 12" lid



Available in cast iron for Quazite/FRP, plastic for PenCell

Touch/Radio Read Option

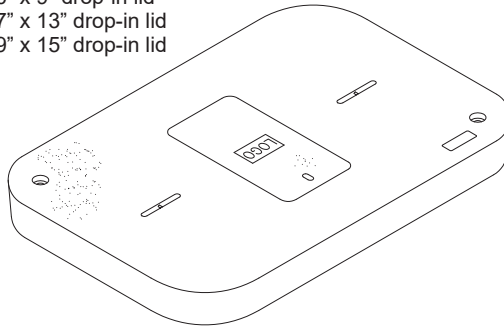
Holes for touch or radio read applications can be provided in covers as needed.



Drop-in Meter Lids* (polymer concrete only)

Available Sizes

- Polymer concrete 6" x 9" drop-in lid
- Polymer concrete 7" x 13" drop-in lid
- Polymer concrete 9" x 15" drop-in lid



*Select sizes available in Tier 15. Tier 22 not available.

EZ - Locate

The EZ Locate System allows the #6 – #24 AWG ground wires / bonding harnesses or tracer wires to be quickly isolated from the grounding electrode.

The telescoping body is made from stainless steel; the isolating ground switch is made from engineering-grade thermo-plastic and tin-plated copper alloy components to prevent corrosion.









Available Sizes

- 24x36 and 30x48



PenCell Color Options (polymer collar, ring, covers only)

Most PenCell HDPE boxes are available only in green or gray and the standard color for polymer concrete collars and covers is concrete gray. However, polymer concrete collars and covers can be provided in various color options to allow for blending with adjacent materials or special identification of enclosures. Some commonly requested colors include:

Color Sample	Description
	Brick Red
	Forest Green
	Light Green
	Cement Gray
	Charcoal Gray
	Black
	Pecan
	International Orange
	Purple
	Blue
	Light Purple

10"
(254mm)
SQUARE

POSITION 3
COVER TEST

WHEEL LO/

PORTIO
WHEEL

WHEEL

18"
(457mm)

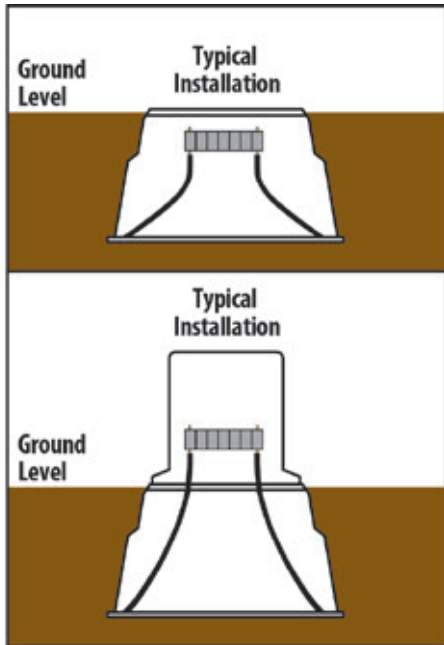
Note: Printed colors are reference only and do not exactly represent product colors.
Contact your local Hubbell/PenCell representative for other special colors.

PenCell Option System:

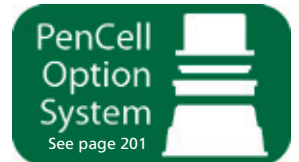
Exclusively from PenCell

Only PenCell Plastics offers a system that accommodates your future planning.

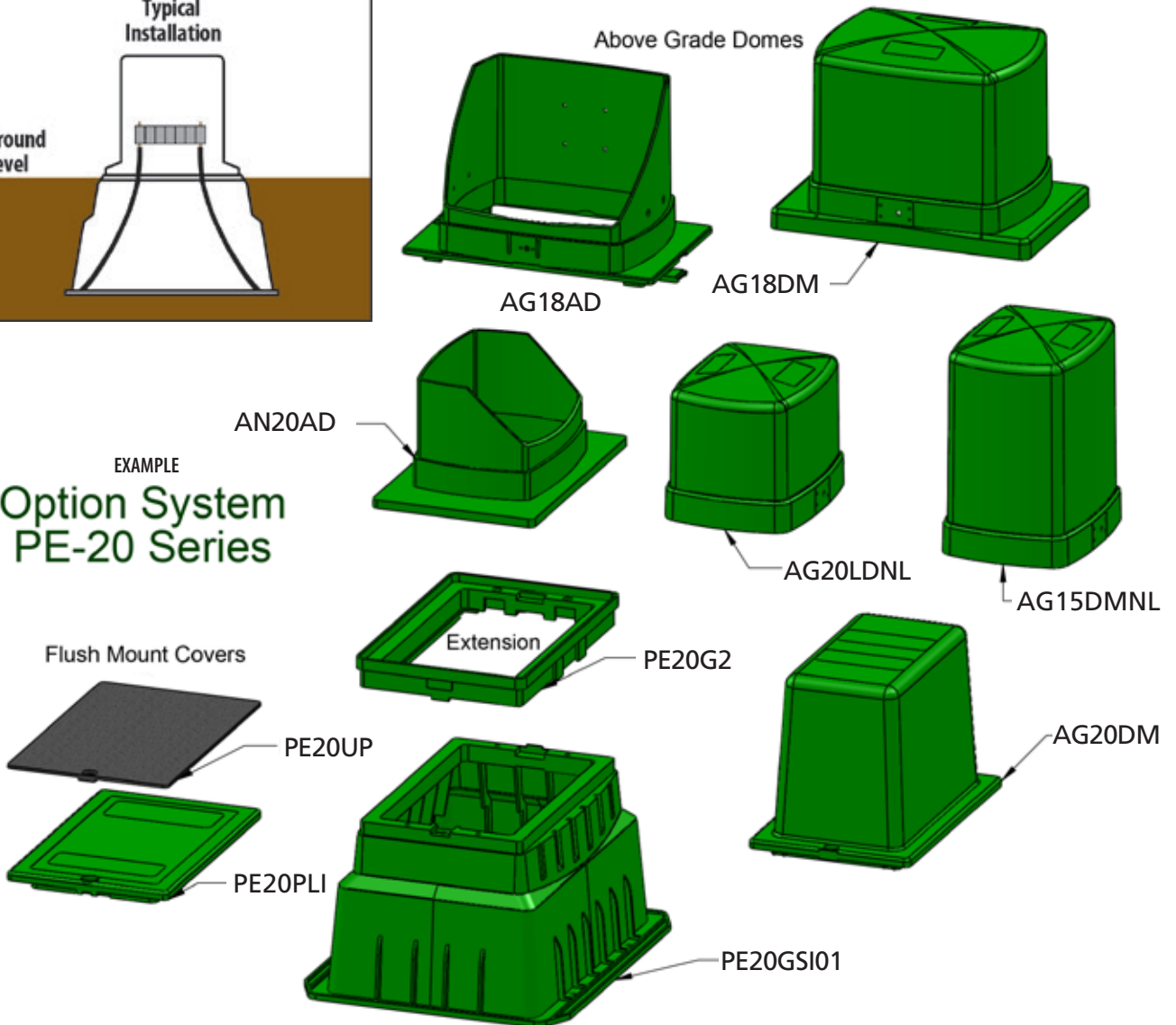
- Change cover material
- Add above-ground pedestal



Look for this symbol throughout this section of the catalog. It identifies an Option System compatible product.



EXAMPLE
**Option System
PE-20 Series**



PENCCELL

Installation:

Guidelines for installing your Quazite® enclosure vary depending on size, location and environmental factors. Quazite enclosures are designed for non-deliberate traffic areas only.

Small Enclosure Installation

1 Excavation

Excavate approximately six inches deeper than the depth of the enclosure. Add six inches of gravel or crushed rock for drainage.



2 Placement

Carefully lower enclosure into the hole until the top is at grade level.



3 Filling

Fill and compact the soil to grade level with the cover on the enclosure.



4 Adjustment

If the grade level is raised later, a straight-sided enclosure can be pulled up and bricks added at the bottom on one or four sides to conform to the landscape.





Attach nylon straps or chains to the lifting bolts.



Lift and position enclosure with backhoe.



Place gravel in the enclosure and around the side.
Lift enclosure to let gravel run underneath.

Install and Protect

Environmental factors should always be considered when installing enclosures of all sizes. Local conditions could dictate additions during installation, such as Concrete Collars or Internal Bracing. These additions provide security, support and protection.

Large Enclosure Installation

Quazite® enclosures sized 24" x 36" and larger can be safely and securely installed by following four simple steps. Quazite® enclosures are designed for non-deliberate traffic areas only.

1 Site Selection

Select an appropriate site or location that is suitable for an underground enclosure.

Site features to consider prior to final selection include:

- Utility easements
- Parking lots
- Parking lot entrances
- Shipping and delivery docks
- Waste-removal containers (dumpsters)

2 Conduits and Piping Preparation

- Trench and/or plow conduit.
- Bore under road crossings and railroads.
- Mark the depth of conduit using marker tape.

3 Excavate

- Excavate approximately 1-2 feet longer and wider than the box and 6-8 inches deeper than the depth of the enclosure.
- Add a rodent barrier if necessary.
- Add 6 inches of gravel or crushed rock for drainage.

4 Placement

- Remove enclosure from the pallet to prepare for placement.
- Place nylon straps or chains around the lifting bolts and secure it to the backhoe bucket. The angle between the strap and the enclosure should not be less than 45 degrees.
- Lift the enclosure and place it into the hole.
- Place gravel in the enclosure and around the side if necessary.
- Lift the enclosure to the proper elevation, allowing gravel to run out under the enclosure.
- Check the enclosure's elevation with a level and range pole and make the necessary adjustments with the backhoe bucket.
- Once the enclosure is set to the proper elevation, reinstall the covers and back fill.
- If 95% compaction is required, internal bracing should be used on all manufacturers' enclosures to prevent deflection and premature failure.

EZ Locate Installation

Guidelines for installing bonding and grounding harnesses or trace wires used with the EZ Locate system.

1

Move the isolating ground switch telescoping body into the upper position, exposing the ground block at the base.



Test Station or Isolation Switch



Ground Block Junction

2

Attach #6 AWG ground wire in ground block at the base. Run the #6 AWG ground wire along the bottom of the enclosure out of the way of cables and splice closures. Attach to ground rod or other ground electrode.



3

Keep in the upper position and attach bonding harnesses or locate wires to isolation switch. Use insulated exible harnesses. EM8100 series is recommended (RUS Listed and UL Listed). Leave slack in harnesses, avoiding any interference with cables and closure, to allow for easy telescoping of the EZ Locate mechanism. Tighten each nut to 40 in-lb.





Bonding Harness Or Locate Wires

4

When placing additional bonding harnesses on isolation switch, make sure terminals do not contact each other. This would result in the locate signal to be on two cables (not isolated) and a weak signal.



5

Push down EZ Locate connector mechanism to the lower position. Place enclosure's cover on top and open locate access hatch.



6

Check to make sure the EZ Locate connector moves up and down freely without any interference from bonding harnesses getting caught on each other, or any obstructions. To access, place fingers under test station lever and push back and up to extend and expose the test station.

Slide Mechanism Handle

- UP=ISOLATED
- DOWN=COMMON and GROUNDED

7

To operate the isolating teststation, place fingers under handle and pull up to isolate bonding harnesses from the grounding electrode. This isolates individual cables for a direct connection. This is the best and most accurate method of applying a signal to a target cable when locating in the field. Connecting the transmitter directly to the target cable isolates the signal and improves signal flow along the path of the cable.

Place alligator clip from the transmitter to the post for locating specific cables.

The test station also allows for the use of a banana plug to be inserted into the post.

**8**

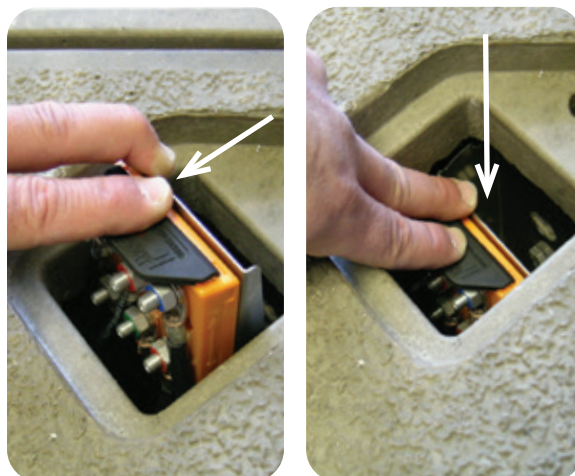
To close: Place fingers on top of the handle to test station and press down firmly. The telescoping body and test station will slide down and stop approximately 2" from top of enclosure. This stop allows the handle to close and establish the ground connecting to bonding harnesses.

**9**

Move test station unit forward and down, securing the EZ Locate test station below the lid of the enclosure.

10

Reinstall the cover to access hatch and secure with bolt.



Hole Cutting Instructions

Methods for Cutting Holes in Hubbell Enclosures:

Hole Saw

1. Drill a 7/8" Pilot hole with a carbide tipped masonry drill.
2. Drill hole using a diamond tipped masonry hole saw.
 - This is the preferred method from engineering.
 - Estimated drilling time is 1 - 1.5 minutes.
3. Wood cutting hole saw may be used on Quazite FRP and PenCell HDPE enclosures (15 - 20 seconds).
4. Depending on the box, cutting these holes from the inside or outside may work better. Cutting on a smooth flat area of the wall vs. a ribbed uneven area works best.



Knockout Punch Driver

1. Set up the punch

1. Slide the die over the pull rod.
2. Insert pull rod into pilot hole.
3. Thread the punch onto the pull rod.

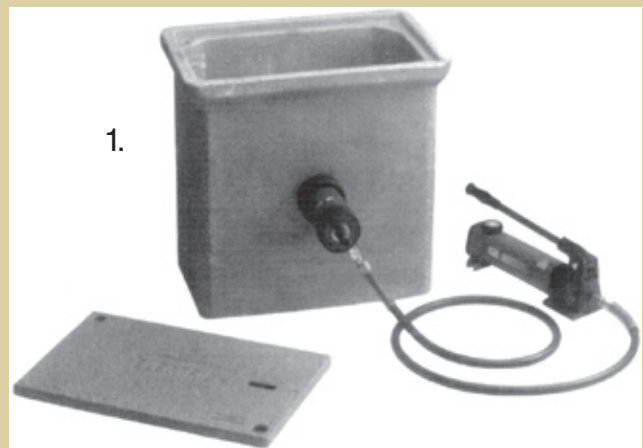
2. Punch hole and remove

1. Operate hand pump until the punch penetrates the surface.
2. Open pump release valve.
3. Remove the slug.

NOTES:

1. Quazite UL Listed enclosures with holes drilled in the field may qualify for UL Listing as long as the holes do not exceed more than 25% of the area of each sidewall and as long as the holes do not cut into a structural reinforcing rib, corner or box lip.
2. Quazite FRP enclosures, follow the same guideline as #1 above.
3. PenCell HDPE enclosures, we recommend never removing more than 20% of the total area of any wall.

Contact your representative if there are any questions.



EZ-Nut and Self-Aligning Nut Cleaning and Replacement Instructions

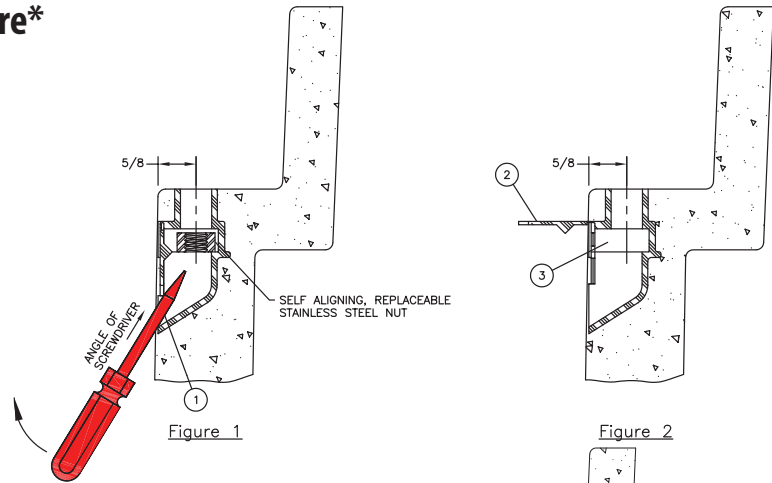
Quazite has redesigned the EZ-Nut assembly (Style "B") to provide a 40% greater drainage opening area and enable quicker and easier nut replacement. This Style "B" design will be included in new production, but existing inventories may have the older Style "A" EZ-Nut assembly. These instructions are provided in the event it is necessary to replace an existing nut.

*To determine which EZ-Nut design is in any box, insert a screwdriver into the drainage opening and pull upward. If the door does not pop open, the Style "A" EZ-Nut is in the box. Follow the instructions for the Style "A" design. If the door pops open, follow the instructions for the Style "B" EZ-Nut design.

TECH INFO

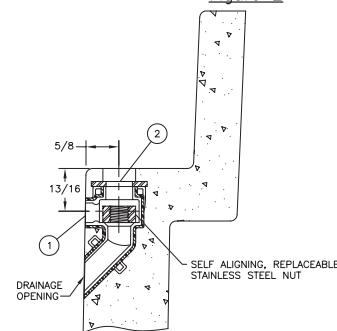
Style "B" EZ-Nut replacement procedure*

1. Locate the drainage opening in the area containing the insert. Insert a screwdriver into the opening at approximately the angle shown in Figure 1.
2. After inserting the screwdriver into the drainage opening, pull upward on the handle of the screwdriver in order to pry open the door of the insert as shown in Figure 2.
3. If necessary, remove any remaining debris from the opening. After the opening is clear, remove existing nut and replace with a nut of the required size.



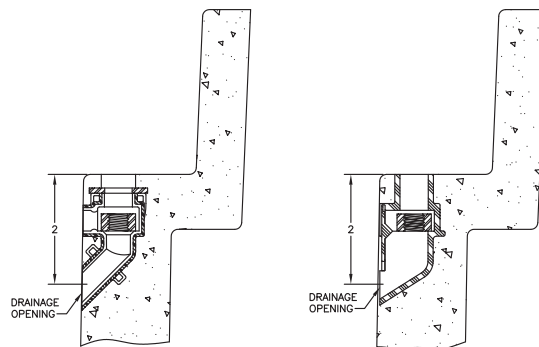
Style "A" EZ-Nut replacement procedure*

1. Measure 13/16" down from bearing ledge of the enclosure. Using a screwdriver and hammer, punch a hole into the cavity of the insert. Clear excess material out of the opening.
2. Insert a screwdriver into the top opening and push the square nut out of the opening just created. Replace with a new square nut and plug the cavity in the sidewall if necessary.



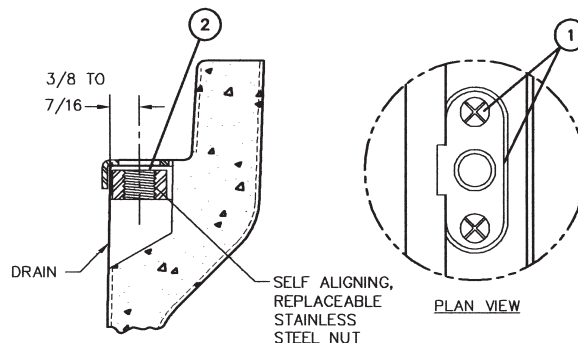
EZ-Nut Cleanout Procedure

1. Make certain drain hole is clear. If it is not, scrape off material with a flat edge and remove any visible obstruction(s). The drain hole is located approximately 2" below the bearing ledge.
2. Insert flat head screw driver into insert. Scrape dirt off of threads and clean out any excess dirt.
3. (Optional) Spray WD-40® or equivalent lubricant into insert to lubricate the threads and help loosen any remaining debris.
4. Replace cover and secure bolts into insert.

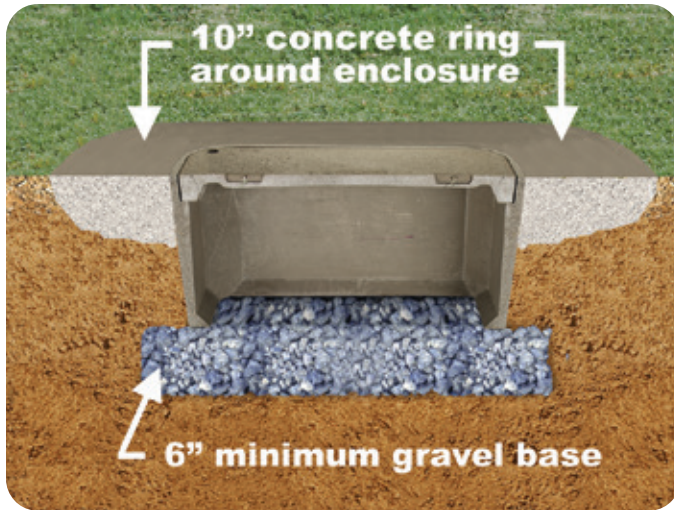


Self-Aligning Nut Replacement:

1. Remove screws using a phillips screwdriver. Then remove the retainer clip.
2. Remove square nut and replace it with a new square nut.
3. Replace the retainer clip and screws.



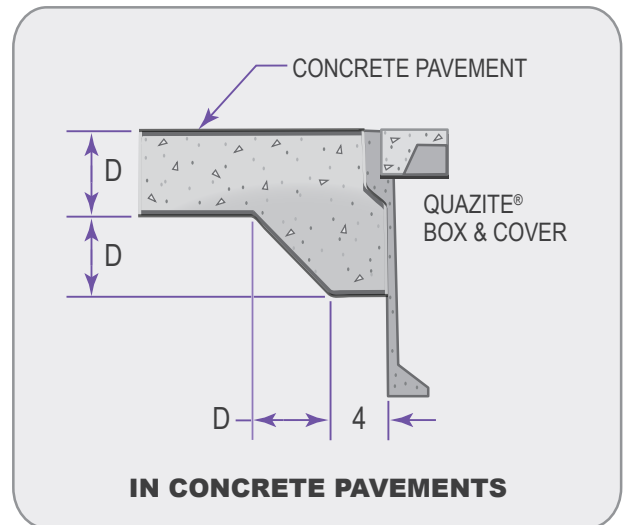
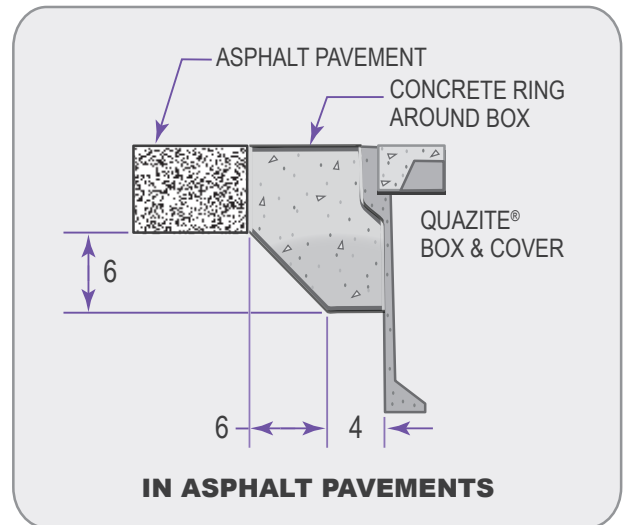
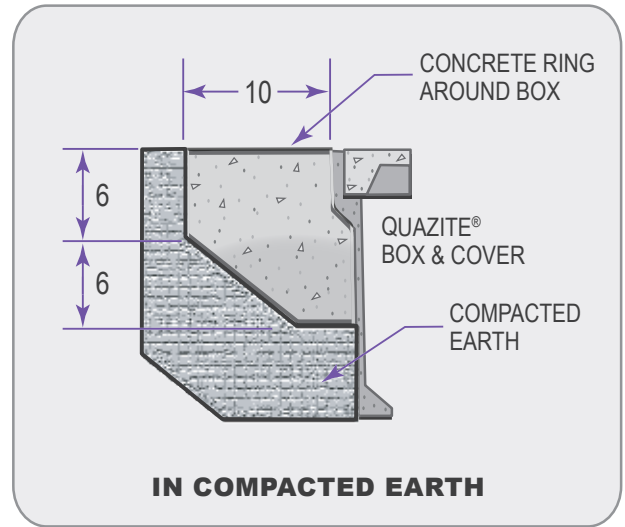
Concrete Collar Application:



Concrete collars may be desired to give added protection to Hubbell enclosures installed by driveways, parking lots and off-roadway areas that are subject to occasional non-deliberate traffic. Concrete collars are not necessary in grassy areas or areas subject solely to pedestrian traffic.

Notes:

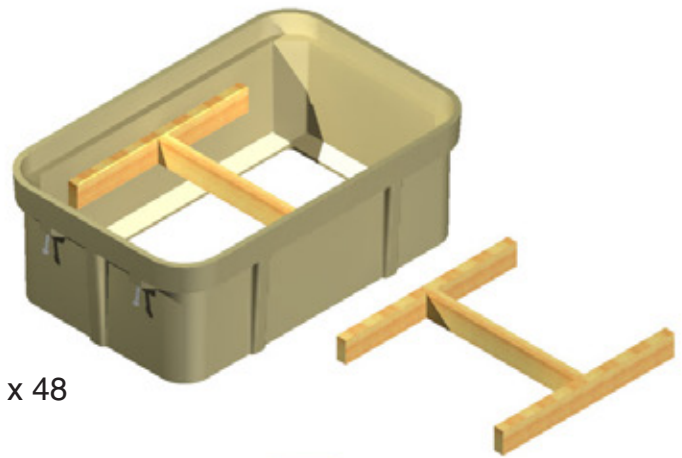
- Concrete encasement to be 3,000 psi minimum.
- Concrete encasement collar dimension, D, to be equal to design pavement depth.
- Pavement and subgrade to be as shown on the engineering plans.



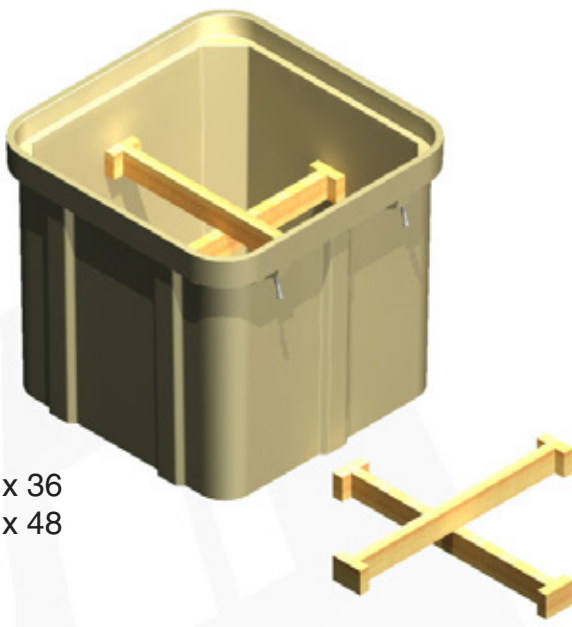
Internal Bracing: Polymer Concrete

Internal bracing may be warranted for any manufacturer's underground enclosure. If 95% compaction is required, or if heavy vehicles will be present during construction and/or throughout the life of the enclosure, internal bracing during backfilling operations will ensure minimal box sidewall deflections. This applies to enclosures made from any material to maintain the original sidewall geometry. Supports should be 2 x 4s or similar material sized to hold at mid-depth.

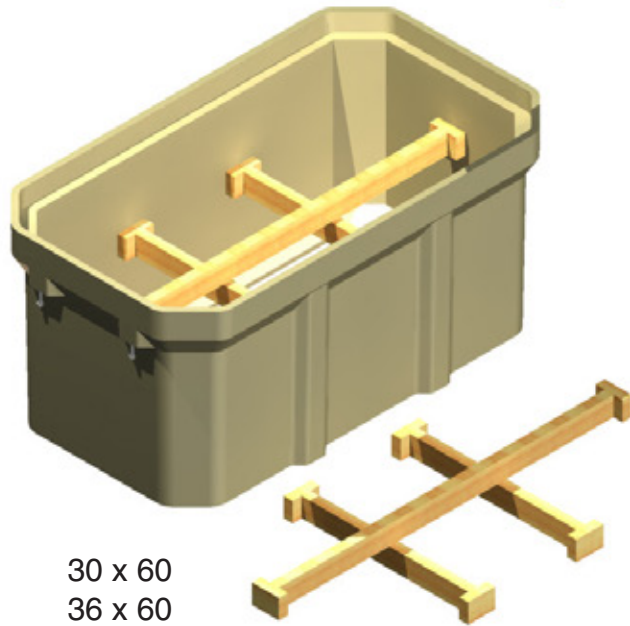
NOTE: Applicable PenCell enclosures come standard with bracing.



30 x 48



36 x 36
48 x 48



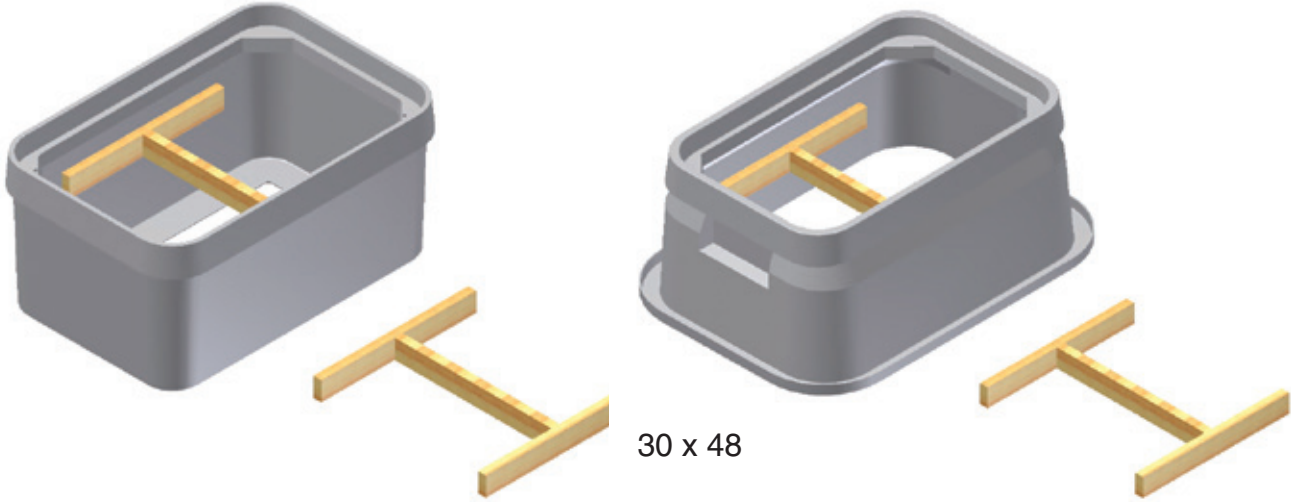
30 x 60
36 x 60
36 x 72
48 x 60
48 x 72
48 x 96



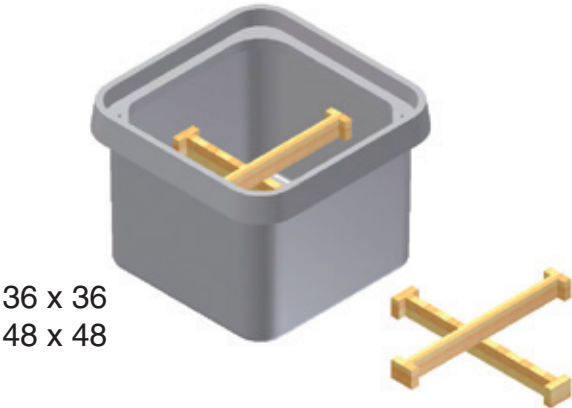
Internal Bracing: FRP



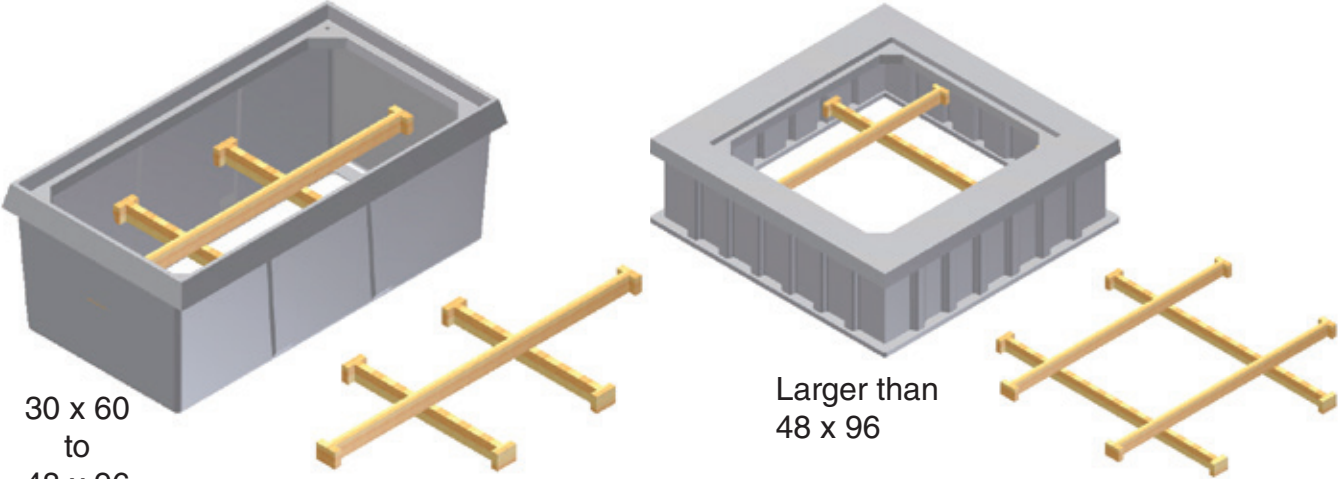
TECH INFO



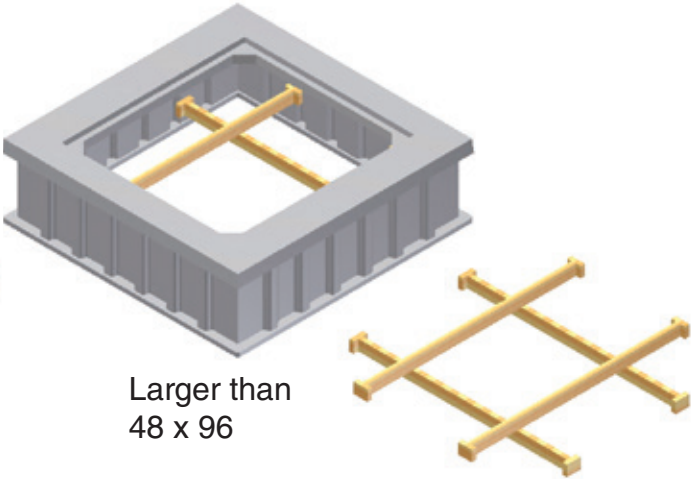
30 x 48



36 x 36
48 x 48



30 x 60
to
48 x 96



Larger than
48 x 96



Polymer Concrete Catalog Numbering System for Boxes and Covers

TECH INFO

1 Weight	2 Style	3,4, 5,6 Size	7 Item - Covers	8 Item - Covers	9 Cover Variation	10 Cover Variation
L (LW PC)	A (Special Covers)	0608	C (Standard)	A (Standard)	0 (Standard Cover)	0 (Standard Cover)
P (PC)	C (Box Straight Sides w/ 3/4" cover)	0818	**H (H.D. 22,500# Test)	C (Overlapping)	A (Aluminum)	
	D (Flared Box w/ 1° Taper w/ 2" or 3" Cover)	0914	S (Steel Cover)	G (Gasketed)	B (Captive Bolt)	2 (Opens Under 90°)
	G (Box Straight Sides 1 1/2", 1 11/16", 2", or 3" Cover)	0915	W (Non-Bolt down Cover)	***H (33,750# Test)	D (Deep C'Bores for Locking Cylinders)	M (Metal Locator)
	R (Round Enclosure)	1015		J (Grade Adjustable Frame)	F (EZ-Locate door) G (Galvanized)	R (Rockwell Touch Reader)
	T (Flared Box w/ 2" or 3" Cover)	1016		S (Split Cover)	K (6"x9" Polymer Drop in Lid)	
	X (Replacement Cover or PX Box 3/4" Cover)	1118		T (Torsion Cover)	L (7"x13 1/2" Polymer Drop in Lid)	Markers
		1212			P (Cl 6" x 96" Meter Lid)	G (Gas)
		1324			Q (Cl 9" x 126" Meter Lid)	P (Power)
		1730			R (Cl 4 1/2" x 7 1/26" Meter Lid)	S (Sanitary)
		2042			S (Thru Slot 1/2" x 1")	T (Telephone)
		2424			T (1" x 4" Pull Slot)	W (Water)
		2436			V (Cl 4 7/8" x 4 7/8" Vented Meter Lid)	
		2700				
		2733	Item - Boxes	Item - Boxes	Box Depth	Box Depth
		3048	B (Box Open Base)	A (Standard)	1	2
		3060	D (Solid Base)	B (Std. Mouseholes)	1	8
		3660	E (Extension)	C (Divided)	2	4
		3672	J (Footed Box)	G (Gasketed)	3	6
		3943	R (Extension w/ Solid Base)	H (Ez-Locate Test Station w/ Ground) E (Ez-Locate Test Station w/ O Ground)		
		4848				
		4872	Z (Assembly)			
		4896				
		*				

* Designates a special color - R=Red, G=Green, etc.

** This load is tested over a 10"x10" area

*** This load is tested over a 10"x20" area

L = Lightweight

P = Standard



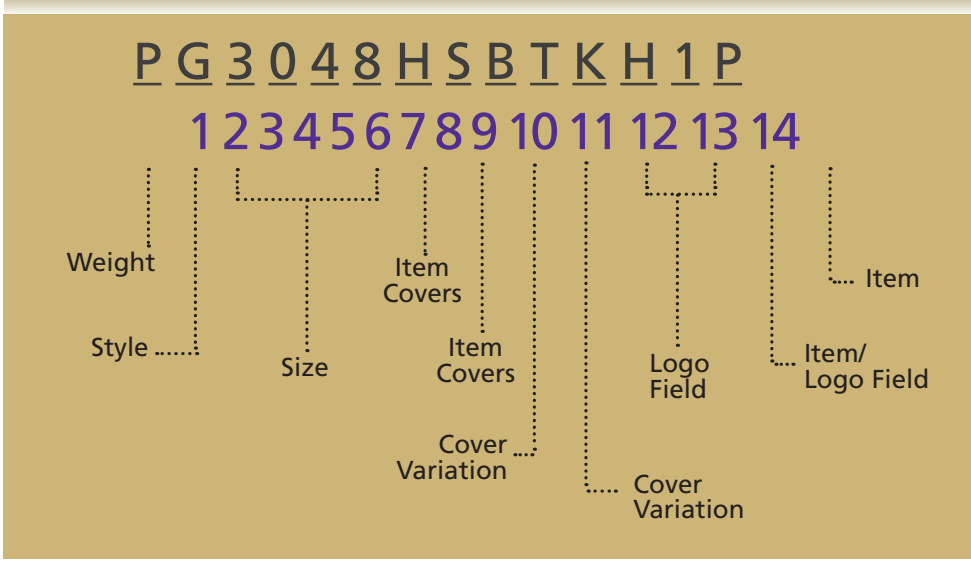
11, 12 Logo Field

11, 12 Logo Field	13 Item / Logo Field	14 Item
09 = Blank	1-9 (for 3 Digit Logos)	
17 = Electric		
50 = Water	A (Cast Part for 2 Digit Logos)	A (See Reference Chart Below)
	B (3/8" UNC Hex Bolt)	B (3/8" UNC Hex Bolt)
Other logos are available.	C (1/2" Coil Lg. Penta Head)	C (1/2" Coil Lg. Penta head)
See logo listing.	H (3/8" Auger Bolt Hex)	H (3/8" Auger Bolt Hex)
	J (1/2" UNC Bolt Hex)	J (1/2" UNC Bolt Hex)
	K (1/2" Auger Bolt Hex)	K (1/2" Auger Bolt Hex)
	L (1/2" Auger Bolt Penta)	L (1/2" Auger Bolt Penta)
	P (Auger Bolt Penta)	P (Auger Bolt Penta)
	R (3/8" UNC Bolt Sm. Penta)	R (3/8" UNC Bolt Sm. Penta)
	S (1/2" UNC Bolt Penta)	S (1/2" UNC Bolt Penta)
	T (3/8" UNC Bolt Lg. Penta)	T (3/8" UNC Bolt Lg. Penta)
B (Box with 3/8-16" insert)		
J (Box with 1/2-13" insert)		

Penta Head Auger Bolt Reference Chart

Item 13 OR Item 14	Part No.	Length	Thread Size	Application
P	C080033 (small head)	2.00"	3/8 7	PC0516, PC0608, PC0808, PC0818, PC1012, PC1118, PC1212, PC1324, PC1730, PX1324, PX1730
	C080034	2.00"	3/8 7	PR2700
	C080049	3.00"	3/8 7	PG1015, PG1118, PG1120, PG2424, PT1324, PT1730, PR3900
	C080154	3.50"	3/8 7	PG1324, PG1730
	C080054	4.00"	3/8 7	PG2436, PG3048, PG3636
	C080169	3.00"	1/2 6	PG3660, PR2200
	C080165	4"	1/2 6	PG3060, PG3672, PG4848, PG4872, PG4896, PG3660 (Overlapping)
	C080166	5"	1/2 6	PG3060 (Overlapping)

Sample Polymer Concrete Part Number



FRP and Corrugated Catalog Numbering System for Boxes and Covers

TECH INFO

1 Item	2 Bolt/Insert Assembly/Cover	3 Style	4, 5, 6, 7 Size	8, 9 Depth/ Thickness Covers	10 Modification - Cover
A (Assembly)	0 (Non Bolting)	0 (Flared Wall Box/Cover - Tier 8)	0608	01	A (Standard)
B (Box)	1 (1/2-13 UNC Bolt Penta)	2 (Flared Wall Box/Cover - Tier 15)	1015	02	D (4"x6" Cast Iron Reader Door Under 90)
C (Cover)	2 (1/2-13 UNC Bolt Hex)	3 (Straight Wall Box - Tier 8)	1118	03	F (6"x9" Cast Iron Reader Door Under 90)
E (Extension)	3 (3/8-16 UNC Bolt Hex and Washer)	4 (Straight Wall Box - Tier 15)	1121	Boxes/ Extensions	G (Gasket) J (Power Marker)
	4 (3/8-16 UNC Bolt Penta and Washer)	6 (Straight Wall Box/Cover - Tier 22)	1132		08
	5 (1/2-6 Coil Thread Bolt Penta)	7 (Cover/Assembly - Pedestrian Traffic)	1212	12	M (Metal Locator) N (Round Cover Insert)
	6 (1/2-6 Auger Bolt Hex)	8 (Cover/Assembly - Tier 5)	1324	18	P (Touch Read) Q (1/2"x 1" Pick Holes)
	7 (1/2"-6 Auger Bolt Penta)	9 (Flared Wall Box - Tier 22)	1517	22	R (Radio Read)
	9 Special Bolt Combination				
	Box	A (Corrugated Wall Box/Square Corner Cover - Tier 8)	1527	24	S (Split Cover (2436 and smaller)) T (6"x9" Polymer Drop-in Lid)
	0 (Non Bolting)	B (Corrugated Wall Box/Square Corner Cover - Tier 15)	1622	30	U (7"x13" Polymer Drop-in Lid) V (9"x15" Polymer Drop-in Lid)
	1 (1/2-13 UNC Insert)	C (Corrugated Wall Box/Square Corner Cover - Tier 22)	1730	34	Y (1 pc Panel Cover (3048 thru 3672)) Z (2 pc Panel Cover (3048 thru 3672))
	3 (3/8-16 UNC Insert)	D (Corrugated Wall Assembly/ Square Corner Cover - Pedestrian Traffic)	2424	36	
	5 (1/2-6 Coil Thread Insert)	E (Corrugated Wall Assembly/ Square Corner Cover - Tier 5)	2436	42	
		F (Corrugated Wall with Round Corner Cover - Tier 8)	2460	48	H (QAV III)
		G (Corrugated Wall with Round Corner Cover - Tier 15)	3048		L (Oversized Shell)
		H (Corrugated Wall with Round Corner Cover - Tier 22)	3060		M (Standard Mouseholes)
		J (Corrugated Wall with Round Corner Cover - Pedestrian Traffic)	3636		P (Intercept Panel) R (Collar for Round Cover)
		K (Corrugated Wall with Round Corner Cover - Tier 5)	3660		T (Top Extension)
			3672		W (Grade Adjustable)
			3696		X (Separate Base)

Note: Cover rating can not exceed box rating.

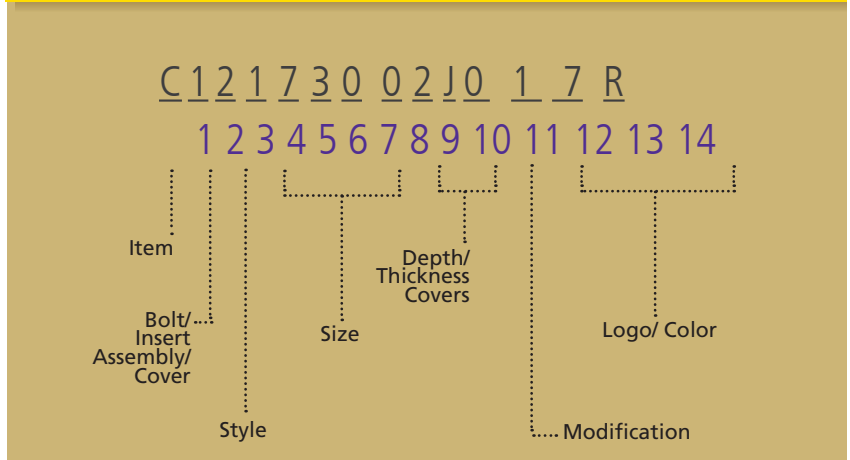


11, 12, 13 Cover Logo	14 Cover Color
009 = Blank	A (Orange)
017 = Electric	G (Green)
050 = Water	P (Purple)
	R (Red)
Other logos are available See logo listing.	T (Government Tan)
Color - Box	U (Blue)
A (Orange)	W (Dolphin Green)
G (Green)	X (Light Blue)
	Z (Light Purple)
P (Purple)	
R (Red)	
T (Government Tan)	
U (Blue)	
W (Dolphin Green)	
X (Light Blue)	
Z (Light Purple)	

Bolt Reference Chart

Item 2	Thread Size	Head Style	Length	Application	Part No.
1	1/2-13 UNC	Penta	3.00"	1015, 1118, 1212, 1324, 1517, 1622, 1730, 2424, 2460	C080127
1	1/2-13 UNC	Penta	4.50"	2436 and Larger	C080130
2	1/2-13 UNC	Hex	2.50"	1015, 1118, 1212, 1517	C080110
2	1/2-13 UNC	Hex	3.00"	1324, 1622, 1730, 2424, 2460	C080120
2	1/2-13 UNC	Hex	4.00"	2436 and Larger	C080119
3	3/8-16 UNC	Hex	2.50"	1015, 1118, 1212, 1517	C080012
3	3/8-16 UNC	Hex	3.00"	1324, 1622, 1730, 2424, 2460	C080036
3	3/8-16 UNC	Hex	4.00"	2436 and Larger	C080018
4	3/8-16 UNC	Penta	2.50"	1015, 1118, 1212, 1517	C080026
4	3/8-16 UNC	Penta	3.00"	1324, 1622, 1730, 2424, 2460	C080028
4	3/8-16 UNC	Penta	4.00"	2436 and Larger	C080032

Sample FRP Part Number



PenCell Catalog Numbering System for Boxes and Covers

TECH INFO

1, 2 Style	3, 4, 5, 6 Size WxL (in.)	7, 8 Box Depth (in.)	9, 10 Type	11 Bolt/Hardware Type or Color
DT	1118 1212 1324 1730 2436 3048	9, 12, 18, 20	Cover Only CL (Polymer Concrete Lid) CS (Polymer Concrete Lid Split) CT (Polymer Concrete Lid for DT series 1 1/4" thick) PL (Plastic Lid) SL (Steel Lid) SP (Plastic Split Lid)	Color Y (Gray) N (Green) Assembly (Box/Extension and Cover) H (3/8-16 Hex Head Bolt) X (3/8-16 Lg Penta Head Bolt) 0 (No Hardware) Plastic Cover Only I
PE	6 (Round) 9 (Round) 10 (Round) 14 (9 x 14) 20 (12 x 20) 30 (17 x 30) 36 (14 x 36) 1015 1118 1324 1730	8 10 18 12, 17 12, 15, 17, 18 12, 14, 17, 19 15 12 12 12 12	Box, Extension or Ring Only EX (Extension only) G2 (2" Spacer for Standard Box w/ 1/4" Recess) G3 (2" Spacer for REA Box w/ 3/4" Recess) G6 (2" Spacer for Standard Box w/ 3/4" Recess) GS (Groundsleeve or Box Only) XY (Plastic Grey Box Tier 22) XN (Plastic Green Box Tier 22)	<div style="border: 1px solid black; padding: 5px; margin-top: 10px;"> <p>If "I" appears in this space, use the two following numbers: 12 (Green, Hex Bolts, C-clip) 13 (Green, Penta Bolts, C-clip) 14 (Green, Penta Bolts, Cotter Pin) 15 (Green, Penta Bolts, Hair Pin) 23 (Green, Hex Bolts, Hair Pin) 27 (Gray, Hex Bolts, C-clip) 28 (Gray, Hex Bolts, Hair Pin) 30 (Green, Penta Bolts, C-clip Electronic Marker) 34 (Green, Penta Bolts, C-clip Telephone Marker)</p> </div>
PM	1010 1212 1218 1220 1224 1818 1824 1830 2424 2436 2448 2460 3036 3048 3060 3636 3648 3660	12 24 24 18 24 24 24 24 18, 24, 30, 36, 42, 48 18, 24, 30, 36, 42, 48 18, 24, 30, 36, 42, 48 18, 24, 30, 36, 42, 48 18, 24, 30, 36, 42, 48 18, 24, 30, 36, 42, 48 18, 24, 30, 36, 42, 48 18, 24, 30, 36, 42, 48 18, 24, 30, 36, 42, 48 24 24 24 18, 24, 30, 36, 42, 48	Assembly/Combination of Items GR (Plastic Ground Sleeve and Polymer Concrete Ring) GX (Plastic Ground Sleeve and Extension) H2 (Plastic Ground Sleeve, Plastic Lid and 2" Extension) H5 (Plastic Ground Sleeve, Plastic Lid and 5" Extension) HD (Plastic Ground Sleeve and Lid, Green) HG (Plastic Ground Sleeve and Lid, Gray) HS (Plastic Ground Sleeve and 2-Piece Plastic Lid, Green) LR (Polymer Concrete Lid and Ring) P3 (Plastic Ground Sleeve, Polymer Concrete Lid and 3" Plastic Extension) PB (Plastic Ground Sleeve, Lid and Polymer Concrete Ring) PC (Plastic Ground Sleeve and Polymer Concrete Lid) PR (Plastic Ground Sleeve, Polymer Concrete Ring and Lid) PS (Plastic Ground Sleeve and 2-Piece Polymer Concrete Lid) S2 (Plastic Ground Sleeve, Steel Lid and 2" Extension) S5 (Plastic Ground Sleeve, Steel Lid and 5" Extension) U4 (Plastic Ground Sleeve, Steel Lid and Ring) UP (Plastic Ground Sleeve and Steel Lid)	
PR	1212	24	UR (Plastic Box, Plastic Cover and Steel Ring) Y2 (Plastic Grey Tier 22 Box and H-Lite Tier 22 Cover)	

Notes:

- 1) Whenever the part numbering system does not accommodate the item, then a special 500 number is used. These are assigned by Hubbell Enclosures as needed for customer specific requirements.
- 2) This part numbering system is provided for guidance to help decipher our part numbers. Some styles or sizes are not available with some options.

It is not possible to order a custom part by building your own part number from this table.





Sample PenCell Part Number

DT243618H D H 009

1 2 3 4 5 6 7 8 9 10 11 12 13 14 15 16

Style

Size

Depth

Type

Options

Cover Logo

..... Bolt/Hardware

12, 13 Options	14, 15, 16 Cover Logo (See page 198 for other logos)
<p>*For AMR/AMI touchread and/or reader door options please contact your Hubbell Customer Service Representative.</p> <p>Assembly 00 (No Options) DI (Drop-in Lid)</p> <p>Box/Extension CH (Captive Hardware) CL (Crimp Lock) CP (Cap Plug) DV (Divider) EG (EZ-Locate OVERSIZED w/ Ground Wire) EW (EZ-Locate OVERSIZED w/o Ground Wire) KO (Knockouts) SB (Steel Beam) SR (Steel Ring for PE10)</p> <p>Cover DI (Drop-In Lid) DP (Drop-in Lid w/ Power Marker) DT (Drop-in Lid w/ Telephone Marker) EM (Power Marker) GR (Ground Lug) TM (Telephone Marker)</p>	<p>009 = Blank 010 = CATV 012 = COMMUNICATIONS 014 = CONTROLS 017 = ELECTRIC 0LW = FIBER OPTIC CABLE 022 = FIRE ALARM 023 = GAS 024 = GROUND 026 = HIGH VOLTAGE 029 = LIGHTING 036 = SECURITY 038 = SIGNAL 041 = STREET LIGHTING 042 = TELECOM 043 = TELEPHONE 044 = TRAFFIC 045 = TRAFFIC CONTROL 046 = TRAFFIC SIGNAL 048 = TV 050 = WATER 057 = EMERGENCY 081 = DANGER HIGH VOLTAGE 084 = POWER 092 = TELECOMMUNICATIONS OZA = IRRIGATION KH1 = FIBEROPTIC 5P3 = ELECTRIC WARNING DO NOT OPEN</p>



HUBBELL LENOIR CITY, INC. ARMORCAST PRODUCTS COMPANY INC. TERMS & CONDITIONS OF SALES

Hubbell Lenoir City, Inc. and its affiliate to specifically include Armorcast Products Company Inc. (hereinafter called **Seller**) hereby gives notice of its exception to any different or additional terms and conditions other than as stated herein. All sales are expressly made conditional on Buyer's assent to the following terms and conditions. Buyer's acceptance of the provisions of Seller's terms and conditions as recited herein shall be conclusively presumed upon Buyer's receipt of the goods, or if no written objection is received by Seller within fifteen (15) days from the date on Seller's order acknowledgment, whichever event shall first occur. These terms and conditions constitute the entire agreement between Seller and Buyer, and supersede other communications between the two parties, whether written or oral.

PRICING

Refer to appropriate Price Schedule, unless otherwise quoted.

TERMS

Seller's payment terms are net 30 days. Invoices will be dated the day of shipment. A service charge of 1-1/2% per month or, if such rate exceeds the maximum lawful rate, the maximum lawful rate shall be assessed on all past due accounts and shall be payable on demand.

QUOTATIONS

Unless otherwise stated in writing, Seller's quotations are subject to acceptance by the Buyer within thirty (30) days from the date of issue.

SALES AND SIMILAR TAXES

Seller's prices do not include any sales, use, excise or similar taxes. Consequently, in addition to the price specified herein, the amount of any present or future sales, use, excise or other similar tax applicable to the sale or use of the goods hereunder, shall be paid by the Buyer, or in lieu thereof the Buyer shall provide Seller with a tax exemption certificate acceptable to the taxing authorities.

ACCEPTANCE OF ORDERS

All orders are subject to acceptance by Seller at its principal office located at 3621 Industrial Park Drive, Lenoir City, TN, 37771 USA, for Hubbell Lenoir City, Inc and 9140 Lurline Avenue, Chatsworth, CA, 91311 USA for Armorcast Products Company Inc and Buyer's assent to these Terms and Conditions of Sale. Any other terms proposed by Buyer are rejected unless expressly accepted in writing. Acceptance of any order is subject to the product's availability and the Seller's ability to deliver. Orders will be billed at prices in effect at the time of shipment unless otherwise agreed. Unless otherwise stated in writing, Seller reserves the right to ship plus or minus 10% of specified quality for special products made to order.

SALES BY AGENTS

Sales by agents or through overseas representatives shall be at prices, terms and conditions of sale specified by Seller. All invoices will be issued by and payment remitted to Seller.

DELAY

Seller will use reasonable efforts to meet shipment or delivery dates specified by Seller, but such dates are estimates only. Seller shall in no event be liable for any delay or non-delivery if such delay or non-delivery is caused directly or indirectly by Acts of God, fire, flood, strike or lockout or other labor dispute, accident, civil commotion, riot, war, governmental regulation or order, whether or not it later proves to be invalid, or from any other cause or causes (whether or not similar to any of the foregoing) beyond Seller's control. In no case will Seller be liable for loss of profits or any special or consequential damages on account of any delay in delivery or non-delivery whether or not excused hereunder.

SHIPPING DEFERMENT

Buyer requests for shipping deferment must be approved by Seller and are subject to price negotiation.

Effective 01/21/2022



LIMITED WARRANTY

Material: Seller warrants all products sold by it to be merchantable (as such term is defined in the Uniform Commercial Code) and to be free from defects in material and workmanship for a period of one (1) year (or as otherwise specified) from the date of original shipment by Seller when stored, installed, operated or maintained in accordance with recommendations of Seller and standard industry practice and when used under proper and normal use. Buyer must notify Seller promptly of any claim under this warranty. NO OTHER WARRANTY, WHETHER EXPRESS OR ARISING BY OPERATION OF THE LAW, COURSE OF DEALING, USAGE OF TRADE OR OTHERWISE IMPLIED, SHALL EXIST IN CONNECTION WITH SELLER'S PRODUCTS OR ANY SALE OR USE THEREOF. SELLER SHALL IN NO EVENT BE LIABLE FOR ANY LOSS OF PROFITS OR CONSEQUENTIAL OR SPECIAL DAMAGES INCURRED BY BUYER. Seller's warranty shall run only to the first Buyer of a product from Seller, from Seller's Buyer, or from an original goods manufacturer reselling Seller's product, and is non-assignable and non-transferable and shall be of no force and effect if asserted by any person other than such first Buyer. This warranty applies only to the use of the product as intended by Seller and does not cover any modification, misapplication, alteration, repair or misuse of said product by Buyer or others, or for damage caused thereto by negligence, accident, or improper use by Buyer or others. This warranty does not include reimbursement for the expenses of labor, transportation, removal or reinstallation of products. Products may contain certain cosmetic imperfections that do not impact the Product's performance; these cosmetic imperfections are not considered defects in material or workmanship and shall not be covered by any Seller warranty.

Application: Seller does not warrant the accuracy of and results from product or system performance recommendations resulting from any engineering analysis or study. This applies regardless of whether a charge is made for the recommendation, or if it is provided free of charge. Responsibility for selection of the proper product of application rests solely with the Buyer. In the event of errors or inaccuracies determined to be caused by Seller, its liability will be limited to the reperformance of any such analysis or study.

Buyer Inspections: Tests, inspections and acceptance of all material must be made at the factory. Buyer's inspectors are welcome at the factories and are provided with the necessary facilities for carrying out their work. Name and phone number of who should be contacted for inspection should be given to Seller no later than two weeks prior to scheduled shipment date.

Disclaimer of Warranty: THE FOREGOING WARRANTY IS EXCLUSIVE AND IN LIEU OF ALL OTHER WARRANTIES WHETHER WRITTEN, ORAL, EXPRESSED OR IMPLIED. THERE IS NO WARRANTY OF FITNESS OF ANY PRODUCT FOR A PARTICULAR PURPOSE.

LIMITATION OF LIABILITY

IN NO EVENT AND UNDER NO CIRCUMSTANCES, WHETHER AS A RESULT OF BREACH OF CONTRACT OR WARRANTY OR ALLEGED NEGLIGENCE, SHALL SELLER BE LIABLE TO BUYER OR ANY OTHER PERSON FOR ANY INDIRECT, SPECIAL OR CONSEQUENTIAL, OR INCIDENTAL LOSSES OR DAMAGES INCLUDING, WITHOUT LIMITATION DAMAGE TO OR LOSS OF PROFITS OR REVENUE, LOST SALES, LOSS OF USE OF THE GOODS OR ANY ASSOCIATED GOODS, OR DELAY OR FAILURE TO PERFORM THIS WARRANTY OBLIGATION, LOSS OF CAPITAL, COST OF SUBSTITUTE GOODS, FACILITIES OR SERVICES, DOWNTIME COSTS, OR CLAIMS OF THIRD PARTIES OF THE BUYER FOR SUCH DAMAGES ARISING OUT OF OR IN CONNECTION WITH THE SALE, INSTALLATION, USE OF, INABILITY TO USE, OR THE REPAIR OR REPLACEMENT OF, SELLER'S PRODUCTS. Any warranty claim by Buyer shall be deemed waived by Buyer unless submitted to Seller in writing within thirty (30) days from the date Buyer discovered, or by reasonable inspection should have discovered the alleged breach. Any warranty claim shall be brought within one year of discovery of alleged defect or non-conformity. Upon prompt written notice by the Buyer that a product is defective or non-conformity, Seller's liability shall be limited to repairing or replacing the product, at Seller's option.

FREIGHT ALLOWANCE and F.O.B. POINT

All shipments are F.O.B. origin. Risk of loss and title of goods shall pass to Buyer upon delivery to the designated carrier. Freight is prepaid and allowed on all shipments of products with a net order value of \$12,000 and above to destinations within the Continental United States and Canada. Shipments to Alaska and Hawaii are F.O.B. Pacific Coast docks, collect beyond. Tool trailers will be F.O.B. Seller's dock - no freight allowed.

All shipments destined for locations outside of the United States, excluding Canada, are F.C.A., Hubbell Facility (Incoterms® 2010) with risk of loss and title to products passing to Buyer upon delivery to the designated pre-carrier in the United States. Freight to the carrier will be paid by Seller in cases where freight allowance has been

Effective 01/21/2022



met. Freight terms for shipments to Alaska and Hawaii are F.C.A., Hubbell Facility (Incoterms® 2010). Freight will be paid by Seller, in cases where freight allowance has been met, to the Pacific Coast docks; collect beyond. All shipments destined to locations in Canada shall be F.C.A., Hubbell Facility (Incoterms® 2010) with risk of loss and title to products passing to Buyer upon delivery to the designated carrier in the United States. Freight will be paid by Seller in cases where freight allowance has been met. When eligible, Seller will also assume the taxes, duties & clearing of the goods through customs.

Seller reserves the right to route all qualified freight allowed shipments via least expensive surface route within the Continental United States and Canada. Buyer will assume all charges for transportation specified via more expensive means. Acceptance of a specified routing does not constitute a guarantee of ship date, transit time or arrival date. Seller will not be responsible for any cartage or storage charges at destination.

Seller responsibility for exception-free delivery ceases when the transportation company receives shipment in good condition. Claims for loss or damage must be reported directly to the carrier. Seller's willingness to assist does not indicate liability for claim or replacement.

PARTIAL RELEASE

If an order has multiple releases specified by the Buyer, each release will be treated as individual orders, relative to freight allowance and minimum billing.

BACK ORDERS

Back orders that are the responsibility of Seller will be shipped F.O.B. factory or point of shipment with freight prepaid and allowed via the most cost-effective method, providing the original order qualified for freight allowance.

MINIMUM BILLING

Standard Orders -- \$750 net per order. \$75 surcharge for below minimum orders.

Hardware Orders -- \$250 net per order. \$25 surcharge for below minimum orders.

DELIVERY SCHEDULE

Shipping dates provided by Seller are estimates only. Based on these estimated shipping dates, Seller makes every reasonable effort to meet Buyer's shipping requirements provided Seller promptly receives all necessary information from Buyer and approved drawings if required by Seller. Seller will not assume liability because of delayed shipment for any reason. Seller's responsibility ceases upon acceptance of shipment by carrier.

CANCELLATIONS

Cancellation of an order for current stock product requires a minimum of five (5) days' notice prior to actual ship date. Stock item orders shipped after cancellation notice is received, but before expiration of the five-day requirement, will be subject to all standard Returned Goods conditions, noted below.

Cancellation on non-stock items may be made only if no work has been performed or material purchased. If cancellation is requested after work is in progress, there will be a cancellation charge as established by Seller.

Orders may not be canceled unless Seller gives its written consent, and then only upon agreement as to applicable cancellation charges.

RETURNED GOODS

GENERAL CONDITIONS applying to all transactions in which Buyer seeks to return goods to Seller:

1. Merchandise is not returnable without the written consent of Seller.
2. Request for permission to return merchandise must be made in writing within one year from date of shipment, and Buyer must provide original Seller invoice number with request.
3. Material to be returned must be considered standard material by Seller.
4. Seller reserves the right to refuse returns of any special or made-to-order material, regardless of condition.
5. All returned goods must be in excellent, resaleable condition, and packaged in the original carton. Products will be inspected upon return; and any service or repair needed to place them in first class, saleable condition will be charged and added to the restocking charge.
6. A 30% restocking charge will be deducted from all credits issued on authorized returns.

Effective 01/21/2022



7. Return Goods Authorization (RGA) Packing List, supplied by the factory, must accompany the return shipment.
8. Return freight must be prepaid. Material must be received by Seller within sixty (60) days of issuance of RGA.
9. Net value of the return must not be less than \$750.
10. Seller reserves the right to deduct for any damage sustained in transit.
11. Unauthorized returns will be refused. Goods returned without proper authorization from Seller will, at the sole option of Seller, be returned to the Buyer freight collect or scrapped immediately with no issuance of credit. Unauthorized material included in a return will not be credited.

BROKEN PACKAGE POLICY

Shipments will be made in standard package quantities or multiples thereof. Seller Customer Service will notify the Buyer of any orders that do not comply. The Buyer must authorize an adjustment to comply with standard package quantities before the order will be entered.

QUOTATION PRICE PROTECTION

All prices shown in the price lists are subject to change without notice.

All quotations on special products or modifications to catalog items are binding only if confirmed in writing by the factory for the period shown on the quotation. Price protection will be provided for a period of thirty (30) days from date of quotation from Seller.

ORDERS

All orders are taken and prices quoted only with the understanding that each order shall be subject to the acceptance of Seller at its principal office upon such terms as we may specify when order is received. Prices to cover amount of any sales or excise tax which now or hereinafter may be imposed by any taxing authority upon this merchandise or the sale or manufacture thereof.

PRODUCT SPECIFICATION

Seller reserves the right to discontinue items, modify designs, and change specifications or prices without incurring obligation.

INVOICING

All invoices are due and payable per the standard terms stated herein. In the case of an apparent discrepancy in a line item charge, Buyer is obligated to advise Seller Customer Service in writing of the nature of the claimed discrepancy within five (5) days of receipt of the invoice. This includes all requests for proof of delivery. A claim of discrepancy does not relieve Buyer of the absolute obligation to pay the remaining balance of the invoice in accordance with the standard terms of payment. Seller, after review, will have sole discretion to resolve the discrepancy; and the Buyer expressly agrees to abide by Seller's decision. Seller will promptly advise Buyer of its decision regarding any disputed items or charges.

OSHA

Seller warrants that at time of shipment, the goods will conform to the applicable occupational safety and health standards promulgated pursuant to the Federal Occupational Safety and Health Act of 1970, which are in effect on the date that Seller enters its acknowledgment of Buyer's order. The Buyer's exclusive remedy and Seller's liability for breach of this warranty is limited to replacement of the nonconforming goods.

FAIR LABOR STANDARDS ACT AS AMENDED

Seller represents that any goods to be delivered hereunder will be produced in compliance with the requirements of the Fair Labor Standards Act of 1938, as amended.

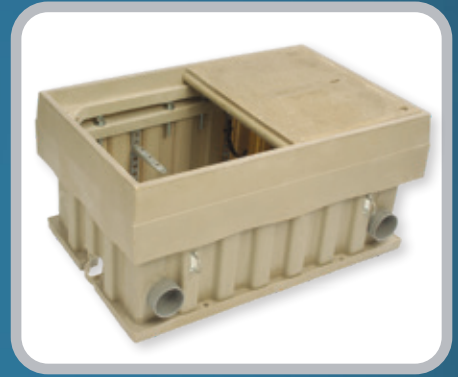
GOVERNING LAW

All orders shall be governed by and construed in accordance with the laws of the State of New York without giving effect to any choice of law rules that would cause the application of laws of any other jurisdiction.

NOTE- These Terms and Conditions of Sales supersede all those published and issued previously by Hubbell Lenoir City, Inc., Armorcast Products Company Inc., Quazite, CDR Systems, CDR, PenCell, Pen-Cell Plastics, Inc., Polycast, Electrimold, Custom Composites, Western Power Products, Comcore, Hot Box, Windbreaker, and Jandec.

Effective 01/21/2022





Hubbell Enclosures
Hubbell Lenoir City, Inc
3621 Industrial Park Drive • Lenoir City, Tennessee 37771
Phone: 800.346.3062 or 865.986.9726 • Fax: 865.986.0585
hubbellenlosures@hubbell.com
www.quazite.com
www.PenCell.com

CA_07_017_E
January 2022

