

MICRO ACCESSORIES

MDS ENCLOSURE (MICRODUCT DISTRIBUTION SYSTEM)

The wall or ladder rack mounted distribution enclosure is specifically designed for MicroDuct cable routing. The MDS Enclosure can be customized to accept multiple cables or ducts and can optimize the distribution and termination of air-blown cable and ducts as well as traditional fiber optic cable. The first of its kind, it optimizes the splicing and distribution of microduct systems within one enclosure, eliminating extra parts and reducing the amount of room needed to distribute individual ducts.



FEATURES

- MDS (MicroDuct Distribution System) is designed for indoor enterprise, data center and DAS applications
- The MDS can be used for managing all forms of duct up to 2.50" OD
- The MDS can be used as a termination point, a pass through, and as a breakout box for routing large count cables into an OCEF
- Scalable - the MDS can be deployed as a single unit or staked and attached back to back for larger jobs

- Unique, angular design allows for gentle sweeps to enhance fiber blowing

- Can be mounted to the wall or overhead ladder rack (12", 18" or 24")

- The MDS will accept splice trays

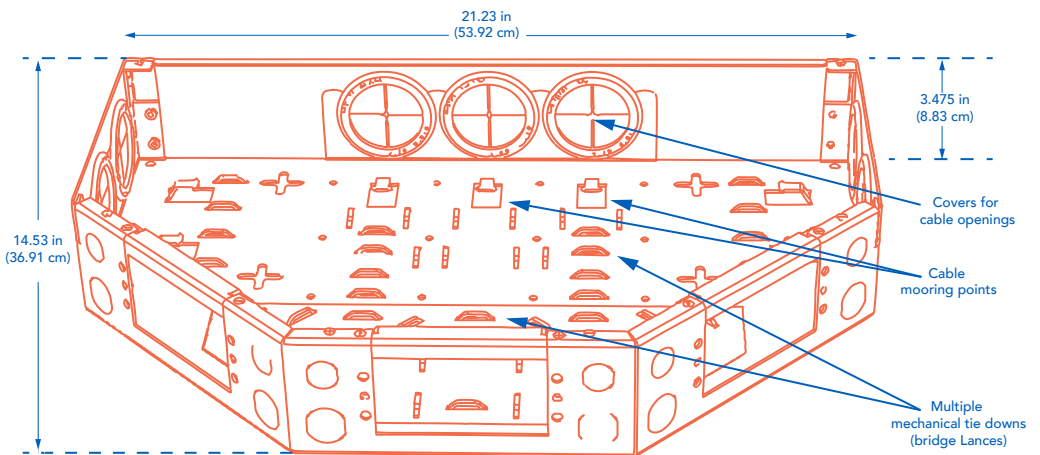
- The rectangular front ports accept an industry standard LGX 118 adapter plate or cassette

- The closure features captive/non-captive openings and has front knock outs for single bulkhead adapters


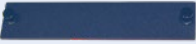


- Can be housed in a NEMA 6P closure in a OSP environment

- Powder coated steel construction

- Express ports on each side of the front rectangular slots for 12.7/10 and 8.5/6 bulkheads. Additional laterals can be added if the plates are full



MDS ENCLOSURE ORDER REFERENCE

	DESCRIPTION	PACKAGING	DURA-LINE PART #
	WALL MOUNT MULTI-CABLE DISTRIBUTION ENCLOSURE Designed for MicroDuct cable routing. Customizable to accept multiple cables/ducts. Can provide splice/patch point for FO cables as well as ducts. Has (6) 2.50" ports for cable/duct entry and (6) "L" type plate mounting slots. Includes (6) L-type blank plates, accessory bag	Each	20003845
	MDS STAND-OFF BRACKETS FOR LADDER RACK MOUNT Set of (2) brackets that are designed to mount enclosure either below or above existing ladder rack structure	Pair	20003846
	MDS BULKHEAD PLATE 2.50" CABLE OPENING AND STRAIN SUPPORT 2-SLOT Cover plate containing 2.50" cable openings. Accepts grommet and includes tie-down point. Maximum of (3) plates per enclosure	Each	20003847
	MDS BULKHEAD PLATE 8 POSITION 8.5MM 2-SLOT Cover plate containing openings for (8) 8.5mm bulkhead connectors (Dura-Line Part # 20001712) for distributing 8.5mm OD MicroDucts outside of the enclosure. Maximum of (6) plates per enclosure	Each	20003848
	MDS BULKHEAD PLATE L-TYPE 6 POSITION 8.5MM 1 SLOT L-Type plate, accepts (6) 8.5mm bulkhead connectors (Dura-Line Part # 20001712) for distributing 8.5mm OD MicroDucts outside of the enclosure. Maximum of (3) plates per enclosure	Each	20003849
	MDS BULKHEAD PLATE L-TYPE 3 POSITION 12.7MM 2 SLOT 2-slot L-Type Bulkhead plate, accepts (3) 12.7mm bulkhead connectors (Dura-Line Part # 20003017) for distributing 12.7mm OD MicroDucts outside fo the enclosure	Each	20003850
	BULKHEAD PLATE, L-TYPE, BLANK L-Type Blank Bulkhead plate for covering unused slots in enclosure	Each	20003851
	HOSE CLAMP: 0.50" - 1.25"	Each	20003852
	HOSE CLAMP:: 1.25" - 2.25"	Each	20003858
	CABLE TIE	Each	20003853
	MDS REPLACEMENT SCREW	Each	20003854
	MDS LADDER BRACKET SCREW	Each	20003855
	MDS WALL MOUNT SCREW, 1"	Each	20003856
	MDS 2.5MM WEB GROMMET	Each	20003857